

# HP 500 Notebook PC

---

Maintenance and Service Guide

© Copyright 2006 Hewlett-Packard  
Development Company, L.P.

Microsoft and Windows are U.S. registered trademarks of Microsoft Corporation. Intel, Pentium, and Celeron are trademarks or registered trademarks of Intel Corporation or its subsidiaries in the United States and other countries. Bluetooth is a trademark owned by its proprietor and used by Hewlett-Packard Company under license.

The information contained herein is subject to change without notice. The only warranties for HP products and services are set forth in the express warranty statements accompanying such products and services. Nothing herein should be construed as constituting an additional warranty. HP shall not be liable for technical or editorial errors or omissions contained herein.

This guide is a troubleshooting reference used for maintaining and servicing the computer. It provides comprehensive information on identifying computer features, components, and spare parts; troubleshooting computer problems; and performing computer disassembly procedures.

First Edition: October 2006

Document Part Number: 434980-001

---

# Table of contents

## 1 Product description

## 2 External component identification

Top components .....	4
Pointing devices .....	4
Keys .....	5
Buttons and lights .....	6
Front components .....	7
Right-side components .....	8
Left-side components .....	9
Bottom components .....	10

## 3 Unknown user password

## 4 Illustrated parts catalog

Serial number location .....	12
Computer major components .....	13
Display assembly components .....	16
Plastics/Hardware Kit .....	17
Mass storage devices .....	18
Miscellaneous parts .....	19
Sequential part number listing .....	20

## 5 Removal and replacement procedures

Preliminary replacement requirements .....	23
Tools required .....	23
Service considerations .....	23
Plastic parts .....	23
Cables and connectors .....	23
Drive handling .....	24
Grounding guidelines .....	24
Electrostatic discharge damage .....	24
Packaging and transporting guidelines .....	25
Workstation guidelines .....	25
Equipment guidelines .....	26
Component replacement procedures .....	27
Serial number .....	27
Battery .....	28

Hard drive .....	29
Computer feet .....	31
Memory module .....	31
Mini PCI card module .....	33
Optical drive .....	35
Switch cover .....	37
Keyboard .....	39
Display assembly .....	41
Base enclosure .....	46
RTC battery .....	48
Fan assembly .....	49
Heat sink .....	50
Processor .....	53
Speaker .....	55
System board .....	56
PC Card assembly .....	58
TouchPad cable .....	60

## 6 Computer Setup

Computer Setup access .....	62
Computer Setup defaults .....	63
Computer Setup menus .....	64

## 7 Specifications

Computer specifications .....	67
14.1-inch, WXGA display specifications .....	69
14.0-inch, WXGA display specifications .....	70
Hard drive specifications .....	71
Primary 4-cell, Li-ion battery specifications .....	72
DVD±RW and CD-RW Super Multi Double-Layer Combo Drive specifications .....	73
DVD±RW/R and CD-RW Double-Layer Combo Drive specifications .....	74
System DMA specifications .....	75
System interrupt specifications .....	76
System I/O address specifications .....	77
System memory map specifications .....	79

## 8 Screw listing

Phillips PM2.5×8.0 captive screw .....	81
Phillips PM3.0×3.0 screw .....	82
Phillips PM2.0×9.0 screw .....	83
Phillips PM2.0×3.0 screw .....	86
Phillips PM2.0×7.0 screw .....	88
Phillips PM2.5×6.0 screw .....	89

## 9 Backup and recovery

Backup .....	91
Safeguarding your data .....	91
Backing up the system .....	91
Backing up specific files or folders .....	91

Backing up the entire hard drive .....	92
Backing up modifications made to the system .....	93
Scheduling backups .....	93
Recovery .....	93
Creating recovery discs (highly recommended) .....	94
Performing a recovery .....	95
Performing a recovery from the recovery discs .....	95
Performing a recovery from the hard drive .....	95
Initiating a recovery in Windows .....	95
Initiating a recovery from the hard drive recovery partition .....	95
<b>10 Connector pin assignments</b>	
Audio-out (headphone) .....	96
Audio-in (microphone) .....	96
External monitor .....	97
RJ-11 (modem) .....	98
RJ-45 (network) .....	98
Universal Serial Bus .....	99
<b>11 Power cord set requirements</b>	
Requirements for all countries .....	100
Requirements for specific countries .....	101
<b>12 Recycling</b>	
Battery .....	102
Display .....	103
<b>Index .....</b>	<b>109</b>

# 1 Product description

Category	Description	System board	System board	System board
		910GML without wireless local area network (WLAN)	910GML with WLAN	915GM with WLAN
<b>Product Name</b>	<b>HP 500 Notebook PC</b>	√	√	√
<b>Processors</b>	<b>Intel® Pentium® M 740 (1.73 GHz) Processor 533-MHz front side bus (FSB), 1-MB L2 cache, socketed</b>			√
	<b>Intel Celeron® M Processor 400-MHz FSB, 512-KB L2 cache, socketed:</b>			
	ICP 360M (1.40 GHz)	√	√	
	ICP 350M (1.30 GHz)	√	√	
<b>Chipset</b>	Intel 915GM			√
	Intel 910GML	√	√	
	Southbridge: Intel ICH-6M	√	√	√
<b>Graphics</b>	UMA	√	√	√
<b>Panels</b>	14.1-inch, WXGA (16:10 aspect ratio) AntiGlare with wireless antenna transceivers and cables		√	√
	14.1-inch, WXGA (16:10 aspect ratio) AntiGlare without wireless antenna transceivers and cables		√	√
	14.0-inch, WXGA (15:9 aspect ratio) AntiGlare with wireless antenna transceivers and cables	√		
	14.0-inch, WXGA (15:9 aspect ratio) AntiGlare without wireless antenna transceivers and cables	√		
<b>Memory</b>	<ul style="list-style-type: none"> <li>One SODIMM slot</li> <li>Customer accessible/upgradable</li> </ul>	√	√	√
	<b>DDRII PC2-4200 (533 MHz)</b>	√	√	√
	256-MB total system memory (256 MB × 1)	√	√	
	512-MB total system memory (512 MB × 1)	√	√	√
	1024-MB total system memory (1024 MB × 1)	√	√	√

Category	Description	System board	System board	System board	
		910GML without wireless local area network (WLAN)	910GML with WLAN	915GM with WLAN	
<b>Hard drives</b>	<ul style="list-style-type: none"> <li>Supports all 9.5-mm, 2.5-inch hard drives</li> <li>Parallel ATA</li> </ul>	√	√	√	
	60 GB, 5400 rpm			√	
	40 GB, 4200 rpm	√	√	√	
<b>Optical drives (fixed)</b>	<ul style="list-style-type: none"> <li>12.7-mm tray load</li> <li>Parallel ATA</li> <li>Fixed, no modular requirements (1 screw removal)</li> </ul>	√	√	√	
	DVD±RW and CD-RW Super Multi Double-Layer Combo Drive			√	
	DVD±RW/R and CD-RW Double-Layer Combo Drive	√	√	√	
<b>Diskette drive</b>	Supports external USB drive only	√	√	√	
<b>Audio</b>	<ul style="list-style-type: none"> <li>Conexant CX20468</li> <li>Single speaker</li> <li>Headphone and microphone jacks</li> </ul>	√	√	√	
	<b>Modem</b>	Conexant CX20493 (Ultima UD2.0)	√		√
	Modem cable included	√	√	√	
<b>Ethernet</b>	Intel 82562V	√	√	√	
	Ethernet cable included	√	√	√	
	S4/S5 wake on LAN	√	√	√	
<b>Wireless</b>	<b>Integrated wireless options by way of Mini PCI card:</b>				
	Option for no wireless				
	WLAN antennae (2, configured in display assembly)		√	√	
	Intel 2200 802.11b/g		√	√	
<b>External media card</b>	One Type I/II PC Card slot, 16-bit PCMCIA and 32-bit CardBus	√	√	√	
<b>Ports</b>	VGA (Dsub 15-pin)	√	√	√	
	USB 2.0 (2)	√	√	√	
	RJ-11 (modem)	√		√	
	RJ-45 (Ethernet, includes link and activity lights)	√	√	√	
	Audio-out (stereo headphone)	√	√	√	
	Audio-in (mono microphone)				

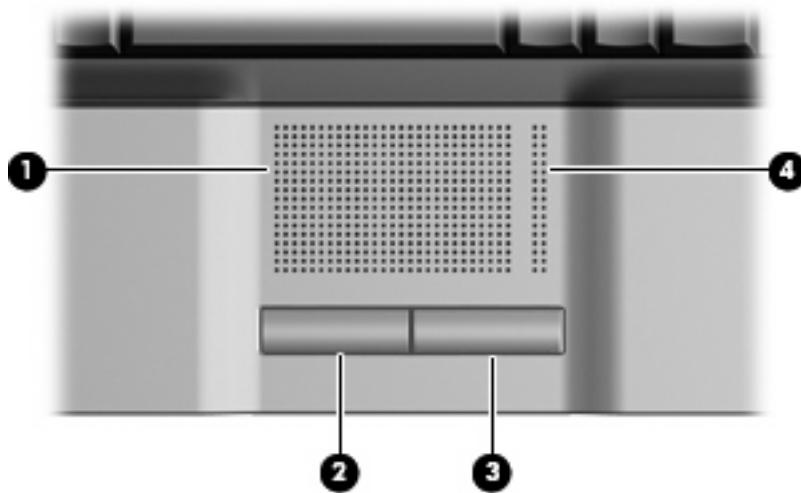
Category	Description	System board 910GML without wireless local area network (WLAN)	System board 910GML with WLAN	System board 915GM with WLAN
	2-pin AC jack	√	√	√
<b>Docking</b>	Docking support			
<b>Keyboard/ pointing devices</b>	Keyboard with embedded numeric keypad	√	√	√
	TouchPad with 2 buttons and one-way scroll	√	√	√
<b>Power requirements</b>	4-cell, 2.2 AH Li-ion battery (32 WHr)	√	√	√
	 <b>NOTE</b> The HP 500 Notebook PC does not support Smart Battery technology.			
	65-W AC adapter with localized cable plug support (2-wire plug with ground pin, supports 2-pin DC connector)	√	√	√
	 <b>NOTE</b> The HP 500 Notebook PC does not support Smart AC adapter technology.			
<b>Security</b>	Security cable slot	√	√	√
<b>Operating system</b>	<b>Preinstalled:</b>			
	Microsoft® Windows® XP Home (SP2)	√	√	√
	FreeDOS	√	√	
	Red Flag Linux (in the People's Republic of China only)		√	√
<b>Serviceability</b>	<b>End-user replaceable parts:</b>			
	Hard drive	√	√	√
	Memory module	√	√	√
	Mini PCI card module		√	√
	Battery (system)	√	√	√
	AC adapter	√	√	√



## 2 External component identification

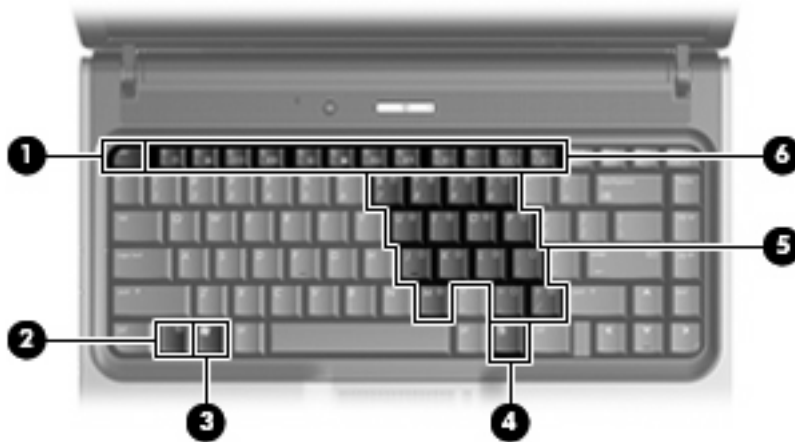
### Top components

#### Pointing devices



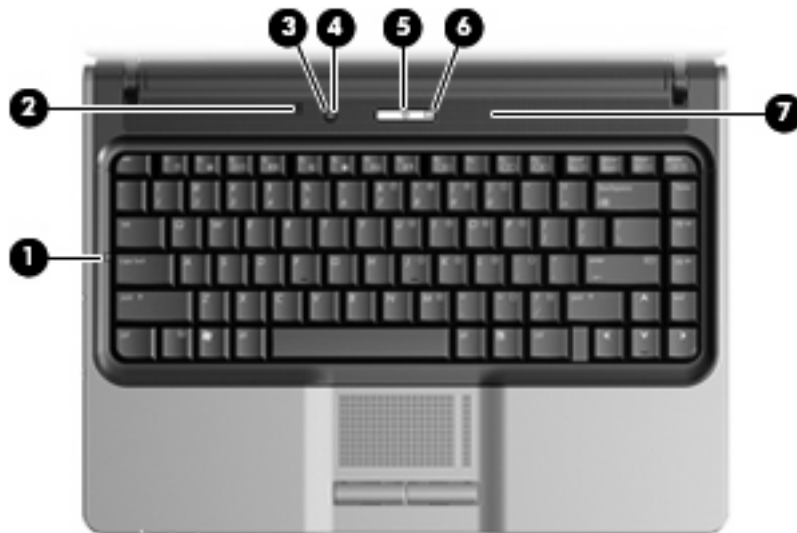
Item	Component	Function
(1)	TouchPad	Moves the pointer and selects or activates items on the screen.
(2)	Left TouchPad button	Functions like the left button on an external mouse.
(3)	Right TouchPad button	Functions like the right button on an external mouse.
(4)	TouchPad scroll zone	Scrolls up or down.


## Keys



Item	Component	Function
(1)	esc key	Displays system information when pressed in combination with the <b>fn</b> key.
(2)	fn key	Executes frequently used system functions when pressed in combination with a function key or the <b>esc</b> key.
(3)	Windows logo key	Displays the Windows Start menu.
(4)	Windows applications key	Displays a shortcut menu for items beneath the pointer.
(5)	Embedded numeric keypad keys	Can be used like the keys on an external numeric keypad.
(6)	Function keys	Execute frequently used system functions when pressed in combination with the <b>fn</b> key.

## Buttons and lights



Item	Component	Function
(1)	Caps lock light	On: Caps lock is on.
(2)	Internal display switch	Turns off the display if the display is closed while the power is on.
(3)	Wireless button (select models only)	Turns the wireless feature on or off, but does not create a wireless connection.
		 <b>NOTE</b> A wireless network must be set up in order to establish a wireless connection.
(4)	Wireless light (select models only)	Blue: An integrated wireless device, such as a wireless local area network (WLAN) device and/or a Bluetooth® device, is turned on.  Off: All wireless devices are turned off.
(5)	Power button	<ul style="list-style-type: none"> <li>When the computer is off, press the button to turn on the computer.</li> <li>When the computer is on, press the button to enter hibernation.</li> <li>When the computer is in standby, press the button briefly to exit standby.</li> <li>When the computer is in hibernation, press the button briefly to exit hibernation.</li> </ul> If the computer has stopped responding and Windows shutdown procedures cannot be used, press and hold the power button for at least 5 seconds to turn off the computer.
(6)	Power light	<ul style="list-style-type: none"> <li>On: The computer is on.</li> <li>Blinking: The computer is in standby.</li> <li>Off: The computer is off or in hibernation.</li> </ul>
(7)	Speaker	Produces sound.

# Front components




Item	Component	Function
(1)	Wireless antennae (select models only)	Send and receive signals from one or more wireless devices.
(2)	Battery light	<ul style="list-style-type: none"><li>• On: A battery is charging.</li><li>• Blinking: A battery that is the only available power source has reached a low-battery condition. When the battery reaches a critical low-battery condition, the battery light begins to blink rapidly.</li><li>• Off: If the computer is plugged into an external power source, the light turns off when all batteries in the computer are fully charged. If the computer is not plugged into an external power source, the light stays off until the battery reaches a low-battery condition.</li></ul>
(3)	Audio-out (headphone) jack	Produces sound when connected to optional stereo speakers, headphones, ear buds, or a headset.
(4)	Audio-in (microphone) jack	Connects an optional computer headset microphone, stereo array microphone, or monaural microphone.

## Right-side components



Item	Component	Function
(1)	Optical drive	Reads an optical disc.
(2)	Security cable slot	Attaches an optional security cable to the computer.

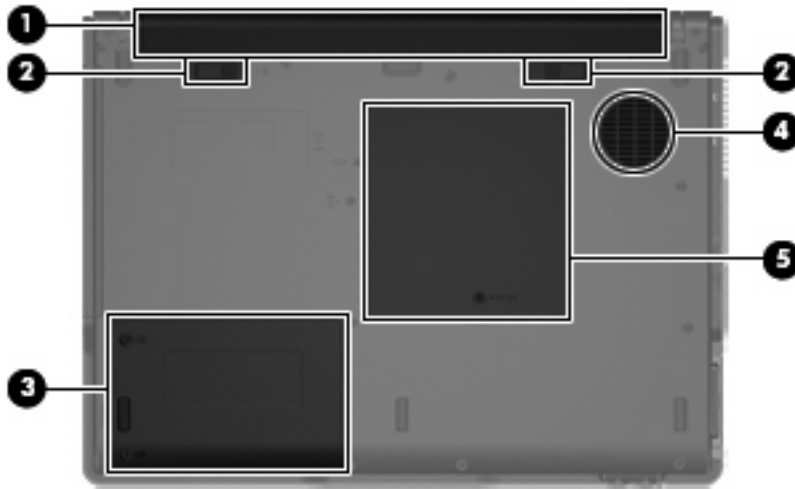
 **NOTE** The security cable is designed to act as a deterrent, but it may not prevent the computer from being mishandled or stolen.




## Left-side components



Item	Component	Function
(1)	Vent	<p>Enables airflow to cool internal components.</p> <p><b>CAUTION</b> To prevent overheating, do not obstruct vents. Use the computer only on a hard, flat surface. Do not allow another hard surface, such as an adjoining optional printer, or a soft surface, such as pillows or thick rugs or clothing, to block airflow.</p> <p><b>NOTE</b> The computer fan starts up automatically to cool internal components and prevent overheating. It is normal for the internal fan to cycle on and off during routine operation.</p>
(2)	RJ-11 (modem) jack (select models only)	Connects a modem cable.
(3)	RJ-45 (network) jack	Connects a network cable.
(4)	Power connector	<p>Connects an AC adapter.</p> <p><b>NOTE</b> The HP 500 Notebook PC does not support Smart AC adapter technology.</p>
(5)	External monitor port	Connects an optional VGA external monitor or projector.
(6)	PC Card slot	Supports optional Type I or Type II 32-bit (CardBus) or 16-bit PC Cards.
(7)	USB ports (2)	Connect an optional USB device.
(8)	PC Card eject button	Ejects the PC Card from the PC Card slot.

## Bottom components



Item	Component	Function
(1)	Battery bay	<p>Holds the battery.</p> <p> <b>NOTE</b> The HP 500 Notebook PC does not support Smart Battery technology.</p>
(2)	Battery release latches (2)	Release the battery from the battery bay.
(3)	Hard drive bay	Holds the hard drive.
(4)	Vent	<p>Enables airflow to cool internal components.</p> <p> <b>CAUTION</b> To prevent overheating, do not obstruct vents. Use the computer only on a hard, flat surface. Do not allow another hard surface, such as an adjoining optional printer, or a soft surface, such as pillows or thick rugs or clothing, to block airflow.</p> <p> <b>NOTE</b> The computer fan starts up automatically to cool internal components and prevent overheating. It is normal for the internal fan to cycle on and off during routine operation.</p>
(5)	Memory module compartment	Contains the memory module slot.

---

## 3 Unknown user password

If the computer you are servicing has an unknown user password, follow these steps to clear the password.



---

**NOTE** These steps also clear CMOS.

---

Before disassembling the computer, follow these steps:

1. Shut down the computer. If you are unsure whether the computer is off or in hibernation, turn the computer on, and then shut it down through the operating system.
2. Disconnect all external devices connected to the computer.
3. Disconnect the power cord.
4. Remove the battery (see [Battery on page 28](#)).
5. Remove the real-time clock (RTC) battery (see [RTC battery on page 48](#)).
6. Wait approximately 5 minutes.
7. Replace the RTC battery and reassemble the computer.
8. Connect AC power to the computer. Do not reinsert any batteries at this time.
9. Turn on the computer.

All passwords and all CMOS settings have been cleared.



---

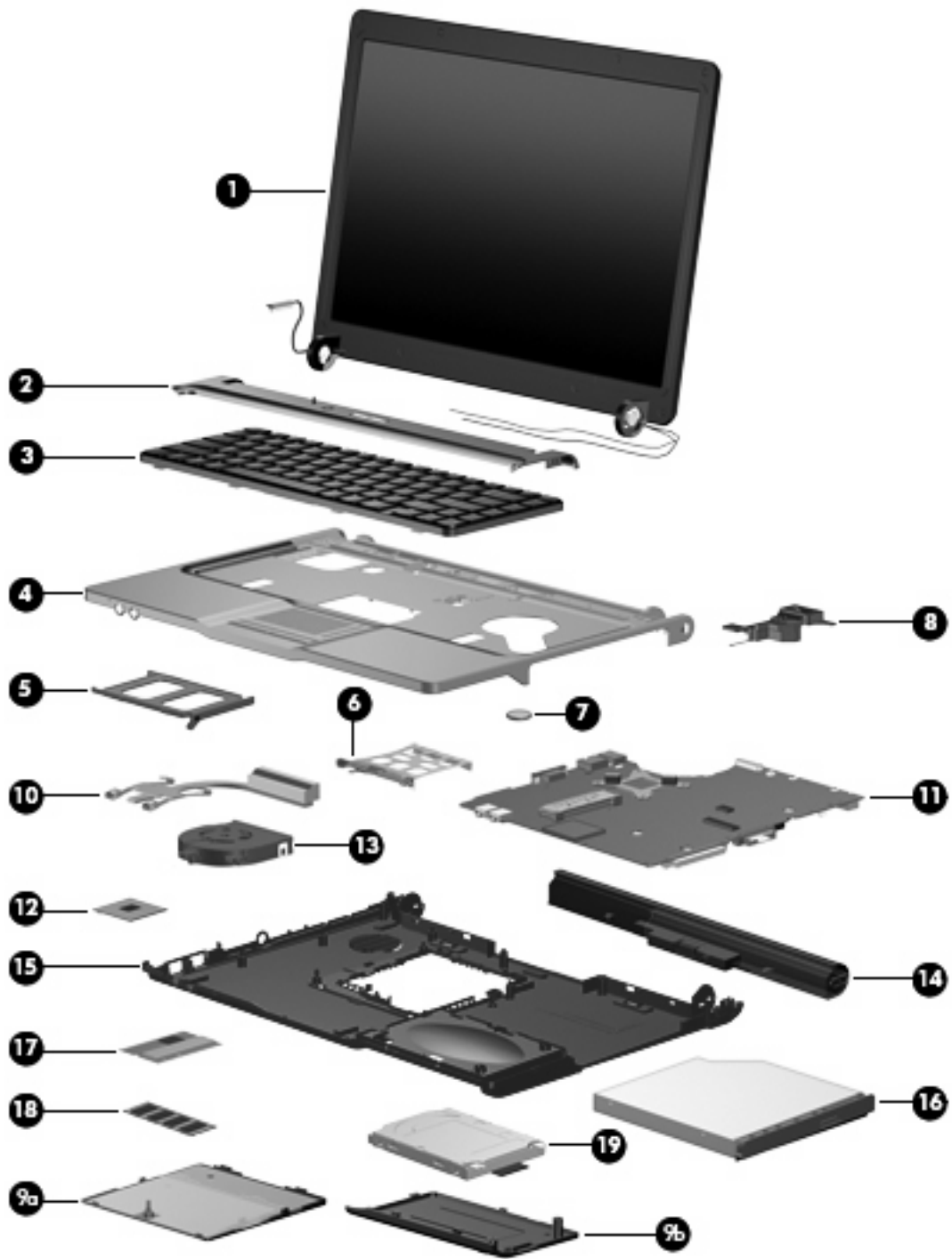
## 4 Illustrated parts catalog

### Serial number location

When ordering parts or requesting information, provide the computer serial number and model number located on the bottom of the computer.



# Computer major components

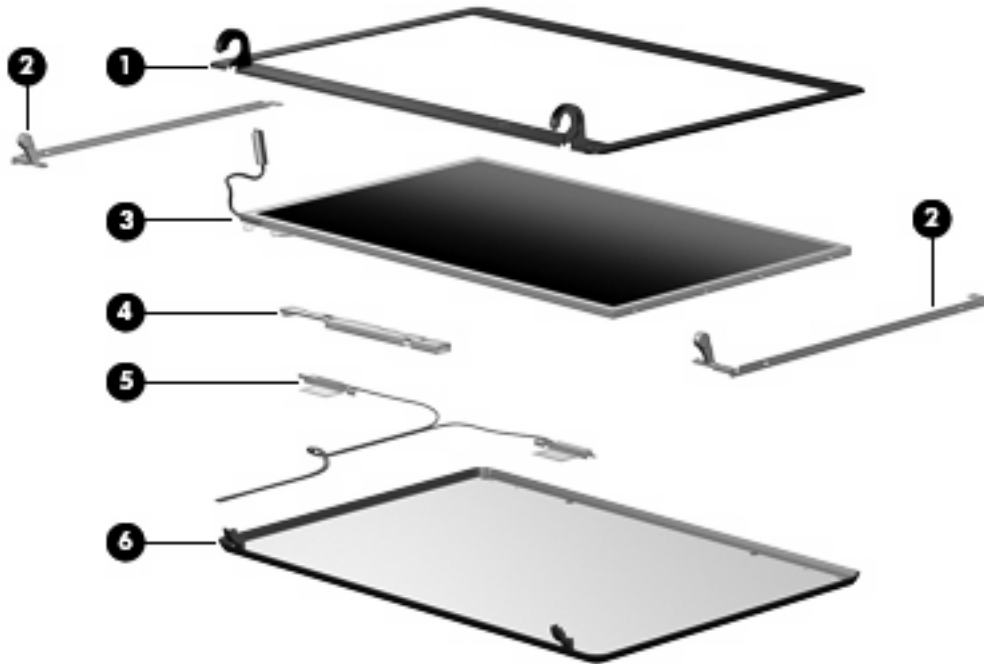


Item	Description	Spare part number
(1)	<b>Display assemblies</b>	
	14.1-inch, WXGA AntiGlare display assembly for use only with computer models with wireless LAN capability (includes wireless antenna transceivers and cables)	438550-001

<b>Item</b>	<b>Description</b>	<b>Spare part number</b>
	14.1-inch, WXGA AntiGlare display assembly for use only with computer models without wireless LAN capability	438549-001
	14.0-inch, WXGA AntiGlare display assembly for use only with computer models with wireless LAN capability (includes wireless antenna transceivers and cables)	438548-001
	14.0-inch, WXGA AntiGlare display assembly for use only with computer models without wireless LAN capability	438547-001
<b>(2)</b>	<b>Switch covers</b>	
	For use only with computer models with wireless LAN capability (includes wireless button and wireless light)	438561-001
	For use only with computer models without wireless LAN capability	438560-001
<b>(3)</b>	<b>Keyboards</b>	
	Brazil	438531-001
	The Czech Republic	438531-001
	Europe	438531-002
	France	438531-001
	Greece	438231-151
	Hungary	438231-211
	Israel	438531-BB1
	Latin America	438231-161
	Poland	438231-241
	Russia	438231-251
	Saudi Arabia	438231-171
	Slovakia	438231-231
	Slovenia	438231-BA1
	South Africa	438231-AR1
	Thailand	438231-281
	Turkey	438231-141
	The United Kingdom	438231-031
	The United States	438231-001
<b>(4)</b>	<b>Top cover</b> (includes TouchPad and TouchPad cable)	438522-001
	<b>TouchPad cable</b> (not illustrated)	438562-001
<b>(5)</b>	<b>PC Card slot bezel</b>	438527-001
<b>(6)</b>	<b>PC Card assembly</b>	438551-001
<b>(7)</b>	<b>RTC battery</b>	438556-001
<b>(8)</b>	<b>Speaker</b>	438559-001
	<b>Plastics/Hardware Kit</b>	438552-001

Item	Description	Spare part number
(9a)	Memory/Mini PCI card module cover (includes 1 captive screw, secured by a C clip)	
(9b)	Hard drive cover (includes 2 captive screws, secured by C clips)	
(10)	<b>Heat sink</b> (includes thermal paste)	438529-001
(11)	<b>System boards</b>	
	915GM (for use only with computer models with wireless LAN capability)	438521-001
	910GML (for use only with computer models with wireless LAN capability)	438520-001
	910GML (for use only with computer models without wireless LAN capability)	438519-001
(12)	<b>Processors</b> (include thermal paste)	
	Intel Pentium M 740 1.73-GHz processor	438555-001
	Intel Celeron M 360 1.40-GHz processor	438554-001
	Intel Celeron M 350 1.30-GHz processor	438553-001
(13)	<b>Fan assembly</b>	438528-001
(14)	<b>4-cell, 2.2-AH Battery</b>	438518-001
(15)	<b>Base enclosure</b> (includes 6 rubber feet, not illustrated)	438517-001
	<b>Rubber Feet Kit</b> (includes 6 rubber feet, not illustrated)	438557-001
(16)	<b>Optical drives</b> (include bezel and optical drive bracket)	
	DVD±RW and CD-RW Super Multi Double-Layer Combo Drive	438523-001
	DVD±RW/R and CD-RW Double-Layer Combo Drive	438524-001
(17)	<b>802.11b/g Mini PCI card WLAN module</b> for use in the countries listed below. These countries are categorized as most of the world (MOW):	390501-001
	Argentina, Brazil, Canada, Chile, Mexico, Taiwan, the United States	
	<b>802.11b/g Mini PCI card WLAN module</b> for use in the countries listed below. These countries are categorized as the rest of the world (ROW):	390501-002
	Australia, Austria, Belarus, Belgium, Brunei, Bulgaria, Croatia, Cyprus, the Czech Republic, Denmark, Estonia, Finland, France, Germany, Greece, Hong Kong, Hungary, Iceland, India, Indonesia, Ireland, Israel, Italy, Japan, Jordan, Kuwait, Latvia, Lithuania, Luxembourg, Malaysia, the Netherlands, New Zealand, Norway, Pakistan, the People's Republic of China, the Philippines, Poland, Portugal, Romania, Russia, Saudi Arabia, Singapore, Slovakia, Slovenia, South Africa, South Korea, Spain, Sri Lanka, Sweden, Switzerland, Thailand, Turkey, the United Arab Emirates, the United Kingdom, Ukraine	
(18)	<b>Memory modules, 1-DIMM</b>	
	PC2-4200, 512 MB	438546-001
	PC2-4200, 256 MB	438545-001
	PC2-3200, 256 MB	438544-001
(19)	<b>Hard drives</b> (include hard drive bracket and connector)	
	5400 rpm, 60 GB	438526-001
	4200 rpm, 40 GB	438525-001

## Display assembly components



Item	Description	Spare part number
<b>(1)</b>	<b>Display bezels</b>	
	For use with 14.1-inch display panels	438535-001
	For use with 14.0-inch display panels	438534-001
<b>(2)</b>	<b>Display Hinge Kit</b>	438536-001
<b>(3)</b>	<b>Display panels</b>	
	14.1-inch, WXGA AntiGlare display panel	438541-001
	14.0-inch, WXGA AntiGlare display panel	438540-001
<b>(4)</b>	<b>Display inverter</b>	438530-001
<b>(5)</b>	<b>Wireless Antenna Kit</b> (includes transceivers and cables)	438516-001
<b>(6)</b>	<b>Display enclosures</b>	
	For use only with computer models with wireless LAN capability (includes logo and wireless antenna transceivers and cables)	438539-001
	For use only with computer models without wireless LAN capability (includes logo)	438538-001
	<b>Display Cable Kit</b> (not illustrated)	438537-001
	<b>Display Label Kit</b> (not illustrated)	438533-001
	<b>Display Screw Kit</b> (not illustrated)	438543-001
	<b>Display Screw Cover Kit</b> (not illustrated)	438542-001

## Plastics/Hardware Kit



Item	Description	Spare part number
	<b>Plastics/Hardware Kit</b>	438552-001
(1)	Hard drive cover (includes 2 captive screws, secured by C clips)	
(2)	Memory/Mini PCI card module cover (includes 1 captive screw, secured by a C clip)	

## Mass storage devices



Item	Description	Spare part number
(1)	<b>Hard drives</b> (include frame and connector)	
	5400 rpm, 60 GB	438526-001
	4200 rpm, 40 GB	438525-001
(2)	<b>Optical drives</b> (include bezel and bracket)	
	DVD±RW/R and CD-RW Double-Layer Combo Drive	438524-001
	DVD±RW and CD-RW Super Multi Double-Layer Combo Drive	438523-001

## Miscellaneous parts

Description	Spare part number
<b>65-watt AC adapter</b>	418872-001
<b>Power cords:</b>	
Australia	350055-011
Brazil	350055-201
Denmark	350055-081
Europe	350055-021
French Canada	350055-DB1
Israel	350055-BB1
Italy	350055-061
Japan	350055-291
Korea	350055-AD1
People's Republic of China	350055-AA1
Switzerland	350055-BG1
The United Kingdom	350055-031
The United States	350055-001
<b>Screw Kit</b>	438558-001
Phillips PM3.0×3.0 screw	
Phillips PM2.5×8.0 captive screw	
Phillips PM2.5×6.0 screw	
Phillips PM2.0×9.0 screw	
Phillips PM2.0×3.0 screw	



## Sequential part number listing

Spare part number	Description
350055-001	Power cord use in the United States
350055-011	Power cord for use in Australia
350055-021	Power cord for use in Europe
350055-031	Power cord for use in the United Kingdom
350055-061	Power cord for use in Italy
350055-081	Power cord for use in Denmark
350055-201	Power cord for use in Brazil
350055-291	Power cord for use in Japan
350055-AA1	Power cord for use in the People's Republic of China
350055-AD1	Power cord for use in Korea
350055-BB1	Power cord for use in Israel
350055-BG1	Power cord for use in Switzerland
350055-DB1	Power cord for use in French Canada
390501-001	802.11b/g Mini PCI card WLAN module for use in the MOW countries listed below: Argentina, Brazil, Canada, Chile, Mexico, Taiwan, the United States
390501-002	802.11b/g Mini PCI card WLAN module for use in the ROW countries listed below: Australia, Austria, Belarus, Belgium, Brunei, Bulgaria, Croatia, Cyprus, the Czech Republic, Denmark, Estonia, Finland, France, Germany, Greece, Hong Kong, Hungary, Iceland, India, Indonesia, Ireland, Israel, Italy, Japan, Jordan, Kuwait, Latvia, Lithuania, Luxembourg, Malaysia, the Netherlands, New Zealand, Norway, Pakistan, the People's Republic of China, the Philippines, Poland, Portugal, Romania, Russia, Saudi Arabia, Singapore, Slovakia, Slovenia, South Africa, South Korea, Spain, Sri Lanka, Sweden, Switzerland, Thailand, Turkey, the United Arab Emirates, the United Kingdom, Ukraine
418872-001	65-watt AC adapter
438515-001	Wireless Antenna Kit (includes wireless antenna transceivers and cables)
438517-001	Base enclosure (includes 6 rubber feet)
438518-001	4-cell, 2.2-AH battery
438519-001	910GML system board for use only with computer models without wireless LAN capability
438520-001	910GML system board for use only with computer models with wireless LAN capability
438521-001	915GML system board for use only with computer models with wireless LAN capability
438522-001	Top cover (includes TouchPad and TouchPad cable)
438523-001	DVD±RW and CD-RW Super Multi Double-Layer Combo Drive (includes bezel and optical drive bracket)
438524-001	DVD±RW/R and CD-RW Double-Layer Combo Drive (includes bezel and optical drive bracket)
438525-001	4200-rpm, 40-GB hard drive (includes bracket and connector)
438526-001	5400-rpm, 60-GB hard drive (includes bracket and connector)

Spare part number	Description
438527-001	PC Card slot bezel
438528-001	Fan assembly
438529-001	Heat sink
438530-001	Display inverter
438531-001	Keyboard for use in the United States
438531-021	Keyboard for use internationally
438531-031	Keyboard for use in the United Kingdom
438531-051	Keyboard for use in France
438531-141	Keyboard for use in Turkey
438531-151	Keyboard for use in Greece
438531-161	Keyboard for use in Latin America
438531-171	Keyboard for use in Saudi Arabia
438531-201	Keyboard for use in Brazil
438531-211	Keyboard for use in Hungary
438531-221	Keyboard for use in the Czech Republic
438531-231	Keyboard for use in Slovakia
438531-251	Keyboard for use in Russia
438531-281	Keyboard for use in Thailand
438531-AR1	Keyboard for use in South Africa
438531-BA1	Keyboard for use in Slovenia
438531-BB1	Keyboard for use in Istral
438533-001	Display Label Kit
438534-001	Display Bezel Kit (for use only with 14.0-inch display assemblies)
438535-001	Display Bezel Kit (for use only with 14.1-inch display assemblies)
438536-001	Display Hinge Kit
438537-001	Display Cable Kit
438538-001	Display enclosure for use only with computer models without wireless LAN capability (includes logo)
438539-001	Display enclosure for use only with computer models with wireless LAN capability (includes logo and wireless antenna transceivers and cables)
438540-001	14.0-inch WXGA AntiGlare display panel
438541-001	14.1-inch WXGA AntiGlare display panel
438542-001	Display Screw Cover Kit
438543-001	Display Screw Kit
438544-001	1-DIMM, PC2-3200, 256-MB memory module

Spare part number	Description
434545-001	1-DIMM, PC2-4200, 256-MB memory module
438546-001	1-DIMM, PC2-4200, 512-MB memory module
438547-001	14.0-inch WXGA AntiGlare display assembly for use only with computer models without wireless LAN capability
438548-001	14.0-inch WXGA AntiGlare display assembly for use only with computer models with wireless LAN capability (includes wireless antenna transceivers and cables)
438549-001	14.0-inch WXGA AntiGlare display assembly for use only with computer models without wireless LAN capability
438550-001	14.0-inch WXGA AntiGlare display assembly for use only with computer models with wireless LAN capability (includes wireless antenna transceivers and cables)
438551-001	PC Card assembly
438552-001	Plastics/Hardware Kit
438553-001	Intel Celeron M 350 1.30-GHz processor (includes thermal paste)
438554-001	Intel Celeron M 360 1.40-GHz processor (includes thermal paste)
438555-001	Intel Pentium M 740 1.73-GHz processor (includes thermal paste)
438556-001	RTC battery
438557-001	Rubber Feet Kit
438558-001	Screw Kit
438559-001	Speaker
438560-001	Switch cover for use only with computer models without wireless LAN capability
438561-001	Switch cover for use only with computer models with wireless LAN capability (includes wireless button and wireless light)
438562-001	TouchPad cable

---

# 5 Removal and replacement procedures

## Preliminary replacement requirements

### Tools required

You will need the following tools to complete the removal and replacement procedures:

- Magnetic screwdriver
- Phillips P0 and P1 screwdrivers
- Flat-bladed screwdriver

### Service considerations

The following sections include some of the considerations that you should keep in mind during disassembly and assembly procedures.



---

**NOTE** As you remove each subassembly from the computer, place the subassembly (and all accompanying screws) away from the work area to prevent damage.

---

### Plastic parts

Using excessive force during disassembly and reassembly can damage plastic parts. Use care when handling the plastic parts. Apply pressure only at the points designated in the maintenance instructions.

### Cables and connectors



---


**CAUTION** When servicing the computer, be sure that cables are placed in their proper locations during the reassembly process. Improper cable placement can damage the computer.

---

Cables must be handled with extreme care to avoid damage. Apply only the tension required to unseat or seat the cables during removal and insertion. Handle cables by the connector whenever possible. In all cases, avoid bending, twisting, or tearing cables. Be sure that cables are routed in such a way that they cannot be caught or snagged by parts being removed or replaced. Handle flex cables with extreme care; these cables tear easily.

## Drive handling

---

 **CAUTION** Drives are fragile components that must be handled with care. To prevent damage to the computer, damage to a drive, or loss of information, observe these precautions:

Before removing or inserting a hard drive, shut down the computer. If you are unsure whether the computer is off or in hibernation, turn the computer on, and then shut it down through the operating system.

Before handling a drive, be sure that you are discharged of static electricity. While handling a drive, avoid touching the connector.

Before removing a diskette drive or optical drive, be sure that a diskette or disc is not in the drive and be sure that the optical drive tray is closed.

Handle drives on surfaces covered with at least one inch of shock-proof foam.

Avoid dropping drives from any height onto any surface.

After removing a hard drive, an optical drive, or a diskette drive, place it in a static-proof bag.

Avoid exposing a hard drive to products that have magnetic fields, such as monitors or speakers.

Avoid exposing a drive to temperature extremes or liquids.

If a drive must be mailed, place the drive in a bubble pack mailer or other suitable form of protective packaging and label the package “FRAGILE.”

---


## Grounding guidelines

### Electrostatic discharge damage

Electronic components are sensitive to electrostatic discharge (ESD). Circuitry design and structure determine the degree of sensitivity. Networks built into many integrated circuits provide some protection, but in many cases, ESD contains enough power to alter device parameters or melt silicon junctions.

A discharge of static electricity from a finger or other conductor can destroy static-sensitive devices or microcircuitry. Even if the spark is neither felt nor heard, damage may have occurred.

An electronic device exposed to ESD may not be affected at all and can work perfectly throughout a normal cycle. Or the device may function normally for a while, then degrade in the internal layers, reducing its life expectancy.

 **CAUTION** To prevent damage to the computer when you are removing or installing internal components, observe these precautions:

Keep components in their electrostatic-safe containers until you are ready to install them.

Use nonmagnetic tools.

Before touching an electronic component, discharge static electricity by using the guidelines described in this section.

Avoid touching pins, leads, and circuitry. Handle electronic components as little as possible.

If you remove a component, place it in an electrostatic-safe container.

---

The following table shows how humidity affects the electrostatic voltage levels generated by different activities.



**CAUTION** A product can be degraded by as little as 700 V.

Typical electrostatic voltage levels			
Event	Relative humidity		
	10%	40%	55%
Walking across carpet	35,000 V	15,000 V	7,500 V
Walking across vinyl floor	12,000 V	5,000 V	3,000 V
Motions of bench worker	6,000 v	800 V	400 V
Removing DIPS from plastic tube	2,000 V	700 V	400 V
Removing DIPS from vinyl tray	11,500 V	4,000 V	2,000 V
Removing DIPS from Styrofoam	14,500 V	5,000 V	3,500 V
Removing bubble pack from PCB	26,500 V	20,000 V	7,000 V
Packing PCBs in foam-lined box	21,000 V	11,000 V	5,000 V

### Packaging and transporting guidelines

Follow these grounding guidelines when packaging and transporting equipment:

- To avoid hand contact, transport products in static-safe tubes, bags, or boxes.
- Protect ESD-sensitive parts and assemblies with conductive or approved containers or packaging.
- Keep ESD-sensitive parts in their containers until the parts arrive at static-free workstations.
- Place items on a grounded surface before removing items from their containers.
- Always be properly grounded when touching a component or assembly.
- Store reusable ESD-sensitive parts from assemblies in protective packaging or nonconductive foam.
- Use transporters and conveyors made of antistatic belts and roller bushings. Be sure that mechanized equipment used for moving materials is wired to ground and that proper materials are selected to avoid static charging. When grounding is not possible, use an ionizer to dissipate electric charges.

### Workstation guidelines

Follow these grounding workstation guidelines:

- Cover the workstation with approved static-shielding material.
- Use a wrist strap connected to a properly grounded work surface and use properly grounded tools and equipment.
- Use conductive field service tools, such as cutters, screwdrivers, and vacuums.

- When fixtures must directly contact dissipative surfaces, use fixtures made only of static-safe materials.
- Keep the work area free of nonconductive materials, such as ordinary plastic assembly aids and Styrofoam.
- Handle ESD-sensitive components, parts, and assemblies by the case or PCM laminate. Handle these items only at static-free workstations.
- Avoid contact with pins, leads, or circuitry.
- Turn off power and input signals before inserting or removing connectors or test equipment.

### Equipment guidelines

Grounding equipment must include either a wrist strap or a foot strap at a grounded workstation.

- When seated, wear a wrist strap connected to a grounded system. Wrist straps are flexible straps with a minimum of one megohm  $\pm 10\%$  resistance in the ground cords. To provide proper ground, wear a strap snugly against the skin at all times. On grounded mats with banana-plug connectors, use alligator clips to connect a wrist strap.
- When standing, use foot straps and a grounded floor mat. Foot straps (heel, toe, or boot straps) can be used at standing workstations and are compatible with most types of shoes or boots. On conductive floors or dissipative floor mats, use foot straps on both feet with a minimum of one megohm resistance between the operator and ground. To be effective, the conductive strips must be worn in contact with the skin.

The following grounding equipment is recommended to prevent electrostatic damage:

- Antistatic tape
- Antistatic smocks, aprons, and sleeve protectors
- Conductive bins and other assembly or soldering aids
- Nonconductive foam
- Conductive tabletop workstations with ground cords of one megohm resistance
- Static-dissipative tables or floor mats with hard ties to the ground
- Field service kits
- Static awareness labels
- Material-handling packages
- Nonconductive plastic bags, tubes, or boxes
- Metal tote boxes
- Electrostatic voltage levels and protective materials

The following table lists the shielding protection provided by antistatic bags and floor mats.

Material	Use	Voltage protection level
Antistatic plastic	Bags	1,500 V

Material	Use	Voltage protection level
Carbon-loaded plastic	Floor mats	7,500 V
Metallized laminate	Floor mats	5,000 V

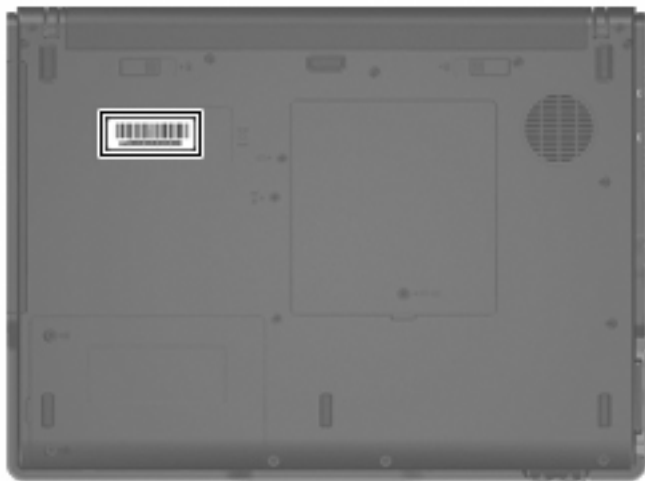
## Component replacement procedures

This chapter provides removal and replacement procedures.

There are as many as 56 screws, in 6 different sizes, that must be removed, replaced, or loosened when servicing the computer. Make special note of each screw and screw lock size and location during removal and replacement.

### Serial number

Report the computer serial number to HP when requesting information or ordering spare parts. The serial number is located on the bottom of the computer.





## Battery

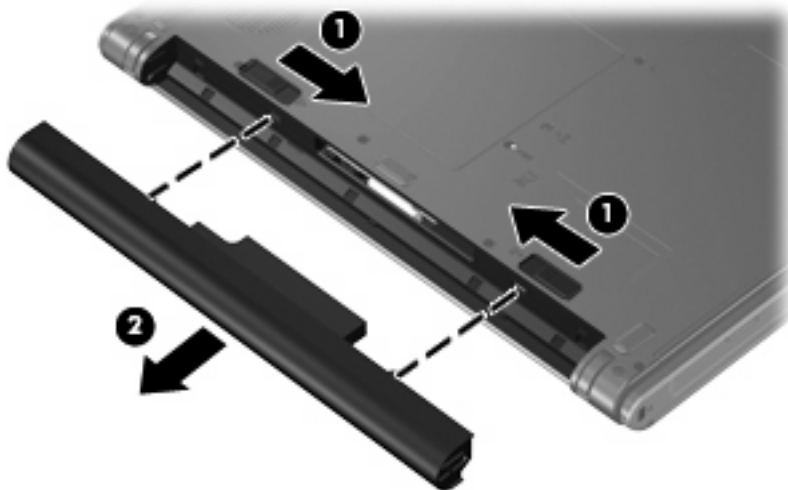
Description	Spare part number
4-cell, 2.2-Ah battery	438518-001

Before disassembling the computer, follow these steps:

1. Shut down the computer. If you are unsure whether the computer is off or in hibernation, turn the computer on, and then shut it down through the operating system.
2. Disconnect all external devices connected to the computer.
3. Disconnect the power cord.

Remove the battery:

1. Turn the computer upside down with the rear panel toward you.
2. Slide the battery release latches **(1)** toward the inside of the computer. (The battery disengages from the computer.)
3. Slide the battery **(2)** straight back and remove it.



Reverse this procedure to install the battery.

## Hard drive

Description	Spare part number
5400 rpm, 60 GB	438526-001
4200 rpm, 40 GB	438525-001

Before disassembling the computer, follow these steps:

1. Shut down the computer. If you are unsure whether the computer is off or in hibernation, turn the computer on, and then shut it down through the operating system.
2. Disconnect all external devices connected to the computer.
3. Disconnect the power cord.
4. Remove the battery (see [Battery on page 28](#)).

Remove the hard drive:

1. Position the computer with the front toward you.
2. Loosen the two Phillips PM2.5×8.0 screws (1) that secure the hard drive cover to the computer.
3. Lift the left side of the hard drive cover (2) and swing it to right.



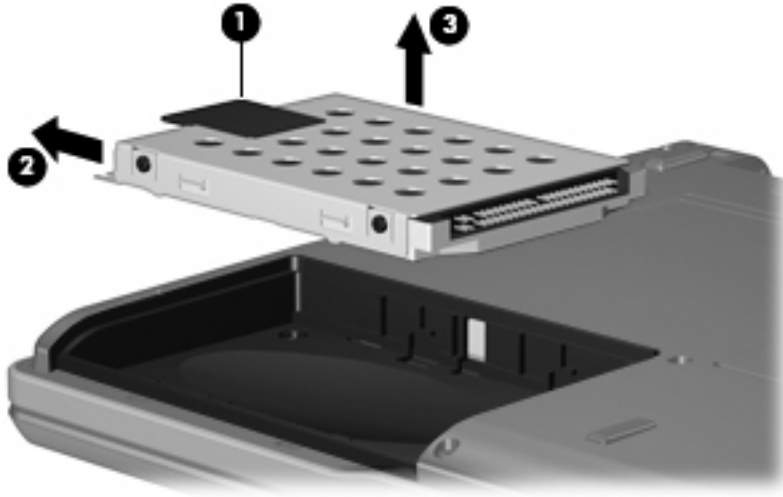
4. Remove the hard drive cover.



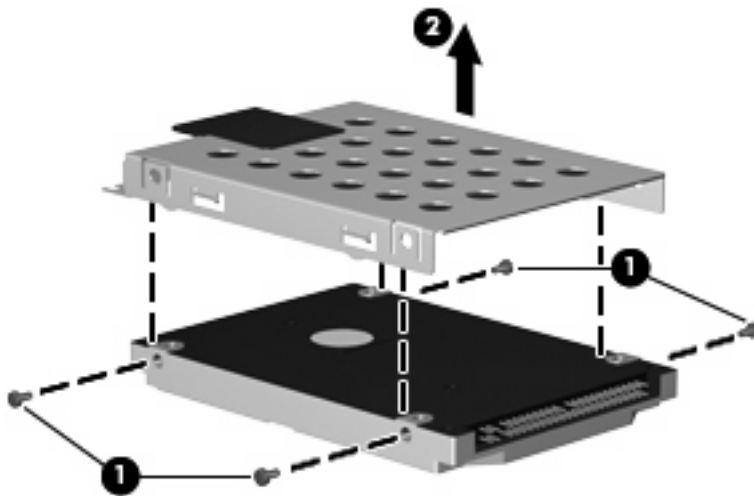
**NOTE** The hard drive cover is included in the Plastics/Hardware Kit, spare part number 438552-001.

5. Grasp the mylar tab (1) on the hard drive and slide the hard drive (2) to the left to disconnect it from the system board.

6. Remove the hard drive (3) from the hard drive bay.



7. Remove the four Phillips PM3.0×3.0 hard drive frame screws (1) from each side of the hard drive.
8. Lift the frame (2) straight up to remove it from the hard drive.

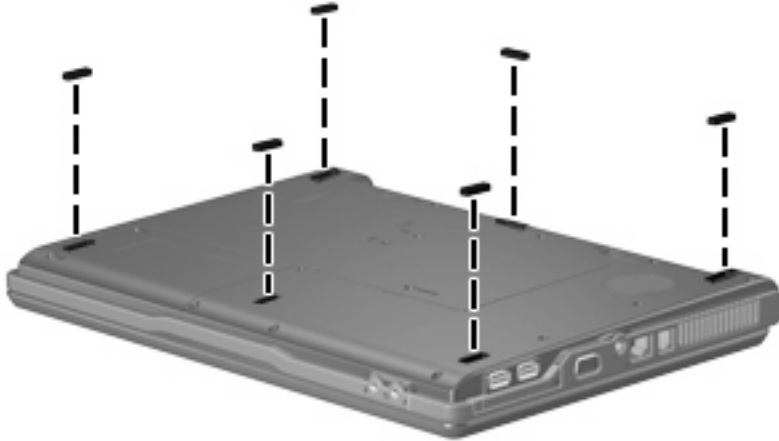


Reverse this procedure to reassemble and install the hard drive.

## Computer feet

Description	Spare part number
Rubber Feet Kit	438557-001

The computer feet are adhesive-backed rubber pads.



## Memory module

Description	Spare part number
1-DIMM, PC2-4200, 512 MB	438546-001
1-DIMM, PC2-4200, 256 MB	438545-001
1-DIMM, PC2-3200, 256 MB	438544-001

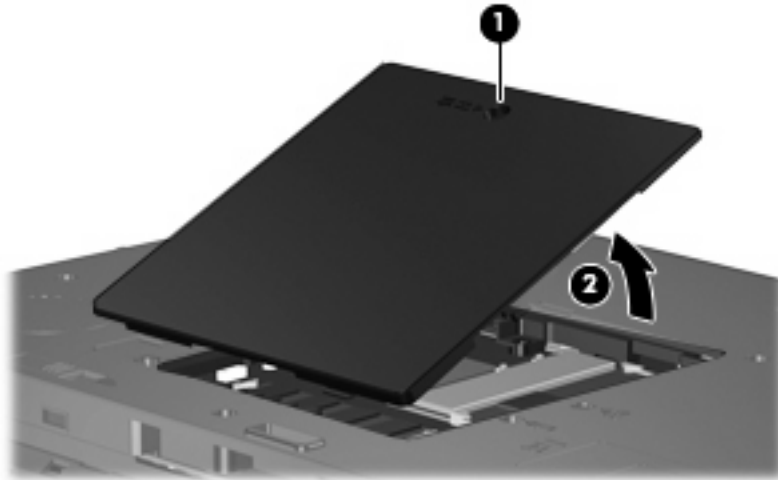
Before removing the memory module, follow these steps:

1. Shut down the computer. If you are unsure whether the computer is off or in hibernation, turn the computer on, and then shut it down through the operating system.
2. Disconnect all external devices connected to the computer.
3. Disconnect the power cord.
4. Remove the battery (see [Battery on page 28](#)).

Remove the external memory module:

1. Position the computer with the rear panel toward you.
2. Loosen the Phillips PM2.5×8.0 screw **(1)** that secures the memory/Mini PCI card module compartment cover to the computer.

3. Lift the front edge of the cover (2) and swing it toward you.



4. Remove the memory/Mini PCI card module compartment cover.

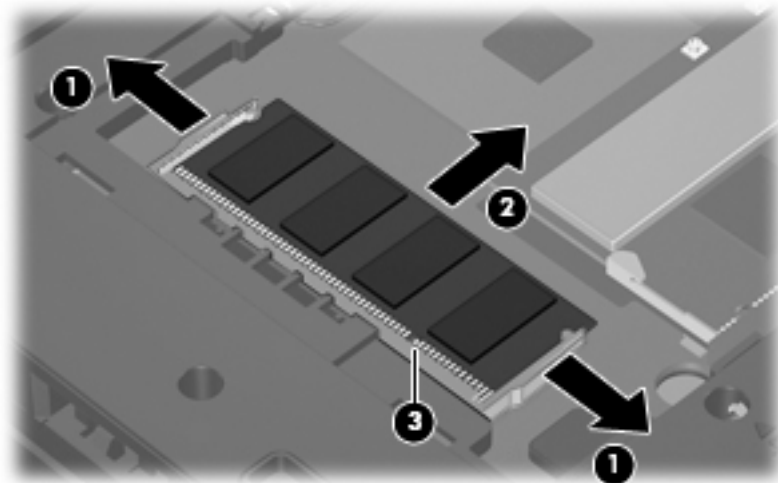


**NOTE** The memory/Mini PCI card module compartment cover is included in the Plastics/Hardware Kit, spare part number 438552-001 .

5. Spread the retaining tabs (1) on each side of the memory module socket to release the memory module. (The edge of the module opposite the socket rises away from the computer.)
6. Slide the module (2) away from the socket at an angle.
7. Remove the memory module.



**NOTE** Memory modules are designed with a notch (3) to prevent incorrect installation into the memory module socket.



Reverse this procedure to install a memory module.

## Mini PCI card module

Description			Spare part number
802.11b/g Mini PCI card WLAN module for use in the MOW countries listed below.			390501-001
Argentina	Canada	Mexico	The United States
Brazil	Chile	Taiwan	
802.11b/g Mini PCI card WLAN module for use in the ROW countries listed below.			390501-002
Australia	Greece	Luxembourg	Slovakia
Austria	Hong Kong	Malaysia	Slovenia
Belarus	Hungary	The Netherlands	South Africa
Belgium	Iceland	New Zealand	South Korea
Brunei	India	Norway	Spain
Bulgaria	Indonesia	Pakistan	Sri Lanka
Croatia	Ireland	The People's Republic of China	Sweden
Cyprus	Israel	The Philippines	Switzerland
The Czech Republic	Italy	Poland	Thailand
Denmark	Japan	Portugal	Turkey
Estonia	Jordan	Romania	The United Arab Emirates
Finland	Kuwait	Russia	The United Kingdom
France	Latvia	Saudi Arabia	Ukraine
Germany	Lithuania	Singapore	

Before removing the Mini PCI card module, follow these steps:

1. Shut down the computer. If you are unsure whether the computer is off or in hibernation, turn the computer on, and then shut it down through the operating system.
2. Disconnect all external devices connected to the computer.
3. Disconnect the power cord.
4. Remove the battery (see [Battery on page 28](#)).
5. Remove the memory/Mini PCI card module compartment cover (see [Mini PCI card module on page 33](#)).

Remove the Mini PCI card module:

1. Before disconnecting the wireless antenna cables, make note of which cable is attached to which antenna clip on the Mini PCI card module, then disconnect the auxiliary and main wireless antenna cables **(1)** from the Mini PCI card module.

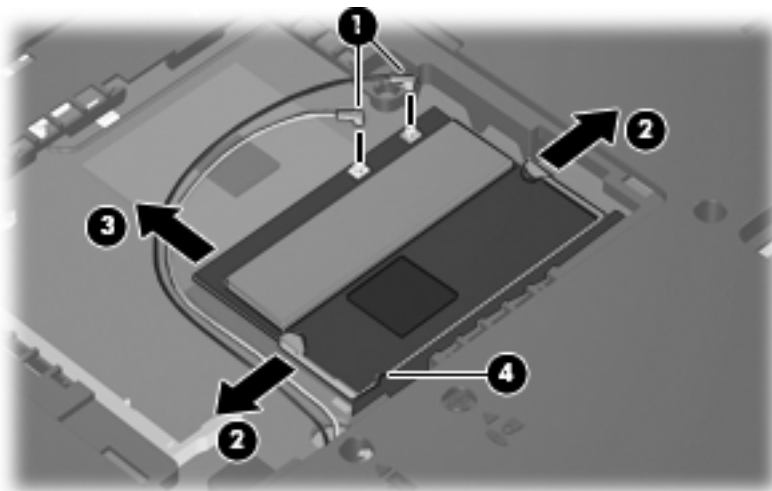


**NOTE** The wireless antenna cables are available in the Wireless Antenna Kit, spare part number 438516-001.

2. Spread the retaining tabs **(2)** on each side of the Mini PCI card module socket to release the Mini PCI card module. (The edge of the module opposite the socket rises away from the computer.)
3. Remove the Mini PCI card module **(3)** by pulling the card away from the socket at an angle.



**NOTE** Mini PCI card modules are designed with a notch **(4)** to prevent incorrect installation.



Reverse this procedure to install a Mini PCI card module.

## Optical drive



**NOTE** All optical drive spare part kits include an optical drive bezel and optical drive bracket.

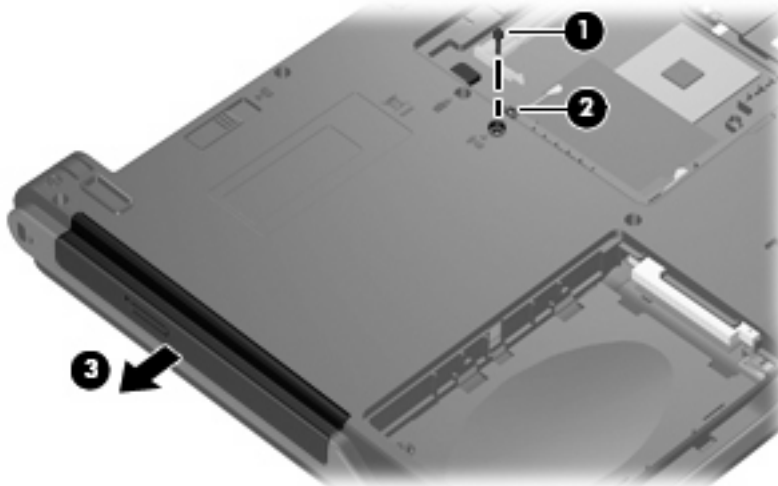
Description	Spare part number
DVD±RW and CD-RW Super Multi Double-Layer Combo Drive	438523-001
DVD±RW/R and CD-RW Double-Layer Combo Drive	438524-001

Before removing the optical drive, follow these steps:

1. Shut down the computer. If you are unsure whether the computer is off or in hibernation, turn the computer on, and then shut it down through the operating system.
2. Disconnect all external devices connected to the computer.
3. Disconnect the power cord.
4. Remove the battery (see [Battery on page 28](#)).
5. Remove the memory/Mini PCI card module compartment cover (see [Memory module on page 31](#)).

Remove the optical drive:

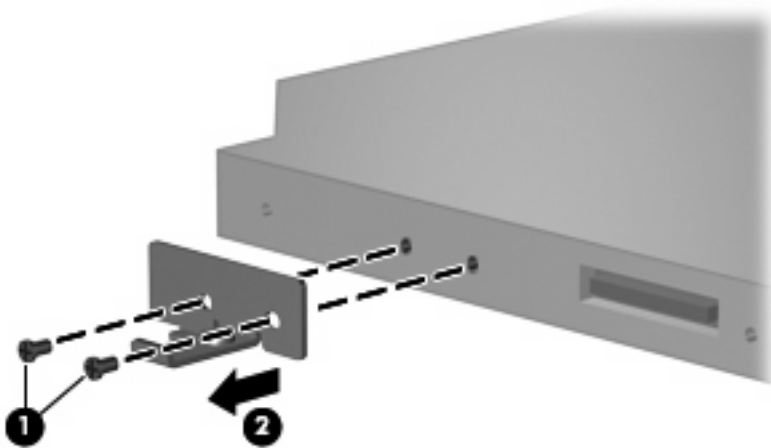
1. Position the computer with left side toward you.
2. Remove the Phillips PM2.0×9.0 screw **(1)** that secures the optical drive to the computer.
3. Use a flat-bladed tool to push the metal tab **(2)** toward the left side of the computer. (The optical drive partially removes from the optical drive bay.)
4. Slide the optical drive **(3)** out of the computer.



5. If it is necessary to replace the optical drive bracket, remove the two Phillips PM2.0×3.0 screws **(1)** that secure the bracket to the optical drive.



6. Remove the optical drive bracket (2).



Reverse this procedure to reassemble and install the optical drive.

## Switch cover

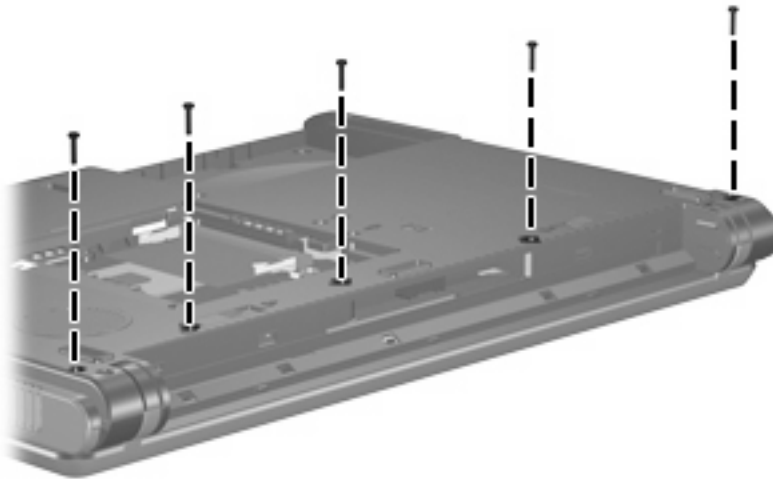
Description	Spare part number
For use only with computer models with wireless LAN capability (includes wireless button and wireless light)	438561-001
For use only with computer models without wireless LAN capability	438560-001

Before removing the switch cover, follow these steps:

1. Shut down the computer. If you are unsure whether the computer is off or in hibernation, turn the computer on, and then shut it down through the operating system.
2. Disconnect all external devices connected to the computer.
3. Disconnect the power cord.
4. Remove the battery (see [Battery on page 28](#)).

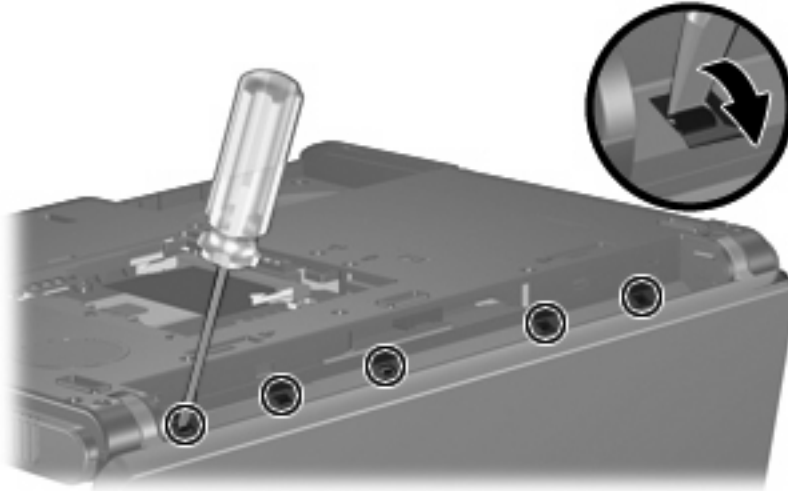
Remove the switch cover:

1. Turn the computer upside down with the rear panel toward you.
2. Remove the five Phillips PM2.0×9.0 screws that secure the switch cover to the computer.



3. Partially open the computer.

4. Use a flat-bladed tool to gently pry the tabs on the switch cover out of the slots on the computer.



5. Turn the computer display-side up with front toward you.
6. Open the computer as far as possible.
7. Lift the rear edge of the switch cover and swing it forward.
8. Remove the switch cover.



Reverse this procedure to install the switch cover.

# Keyboard

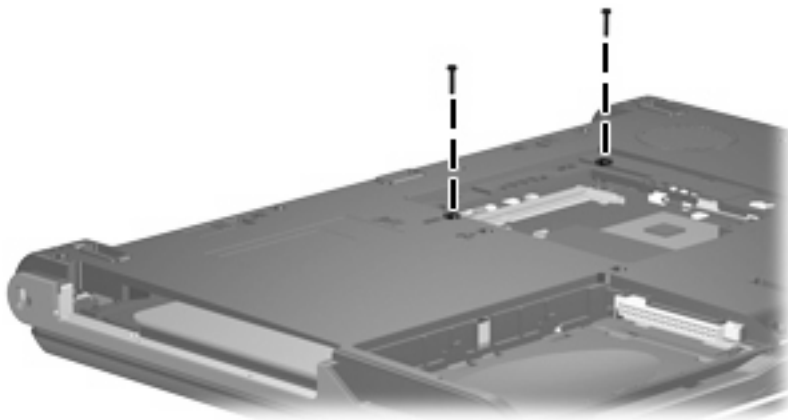
Description				
Brazil	438531-201	Russia	438531-251	
The Czech Republic	438531-221	Saudi Arabia	438531-171	
Europe	438531-021	Slovakia	438531-231	
France	438531-051	Slovenia	438531-BA1	
Greece	438531-151	South Africa	438531-AR1	
Hungary	438531-211	Thailand	438531-281	
Israel	438531-BB1	Turkey	438531-141	
Latin America	438531-161	The United Kingdom	438531-031	
Poland	438531-241	The United States	438531-001	

Before removing the keyboard, follow these steps:

1. Shut down the computer. If you are unsure whether the computer is off or in hibernation, turn the computer on, and then shut it down through the operating system.
2. Disconnect all external devices connected to the computer.
3. Disconnect the power cord.
4. Remove the battery (see [Battery on page 28](#)).
5. Remove the memory/Mini PCI card module compartment cover (see [Memory module on page 31](#)).

Remove the keyboard:

1. Position the computer with the front toward you.
2. Remove the two Phillips PM2.0×9.0 screws that secure the keyboard to the computer.

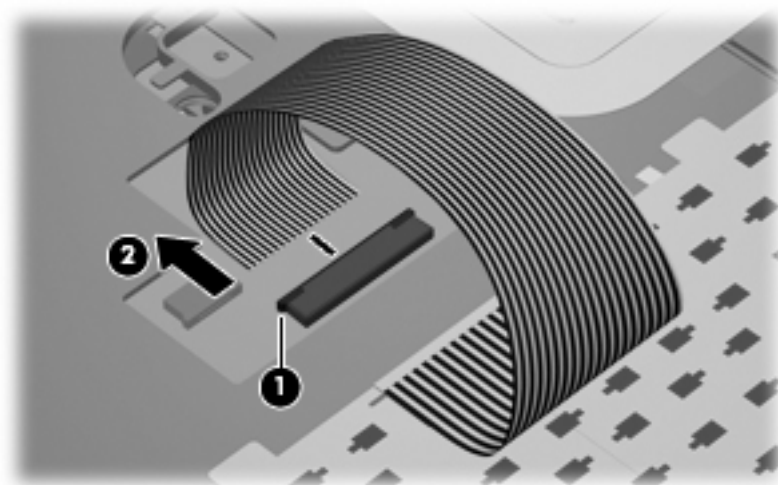


3. Turn the computer display-side up with the front toward you.
4. Open the computer as far as possible.

5. Lift the rear edge of the keyboard and swing it toward you until it rests on the palm rest.



6. Release the zero insertion force (ZIF) connector (1) to which the keyboard cable is attached and disconnect the keyboard cable (2).



7. Remove the keyboard.

Reverse this procedure to install the keyboard.

## Display assembly

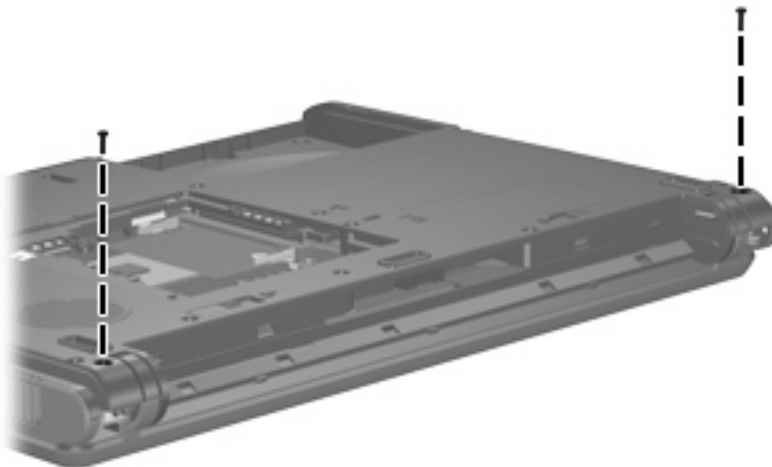
Description	Spare part number
14.1-inch, WXGA AntiGlare display assembly for use only with computer models with wireless LAN capability (includes wireless antenna transceivers and cables)	438550-001
14.1-inch, WXGA AntiGlare display assembly for use only with computer models without wireless LAN capability	438549-001
14.0-inch, WXGA AntiGlare display assembly for use only with computer models with wireless LAN capability (includes wireless antenna transceivers and cables)	438548-001
14.0-inch, WXGA AntiGlare display assembly for use only with computer models without wireless LAN capability	438547-001

Before removing the display assembly, follow these steps:

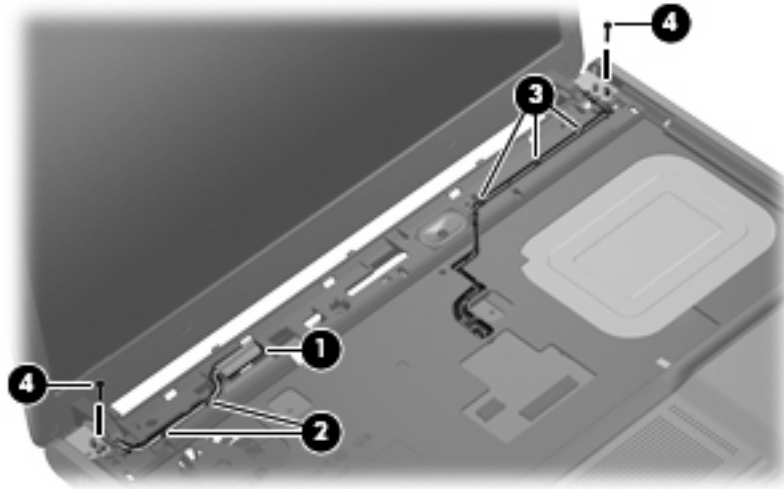
1. Shut down the computer. If you are unsure whether the computer is off or in hibernation, turn the computer on, and then shut it down through the operating system.
2. Disconnect all external devices connected to the computer.
3. Disconnect the power cord.
4. Remove the battery (see [Battery on page 28](#)).
5. Remove the memory/Mini PCI card module compartment cover (see [Memory module on page 31](#)) and disconnect the wireless antenna cables from the Mini PCI card module (see [Mini PCI card module on page 33](#)).
6. Remove the following components:
  - a. Switch cover (see [Switch cover on page 37](#))
  - b. Keyboard (see [Keyboard on page 39](#))

Remove the display assembly:

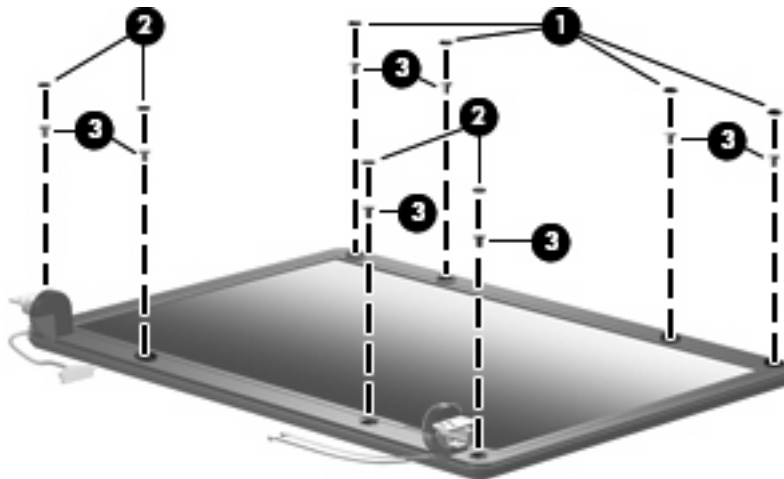
1. Close the computer and turn it upside down with the rear panel toward you.
2. Remove the two Phillips PM2.0×7.0 screws that secure the display assembly to the computer.



3. Turn the computer display-side up with the front toward you.
4. Open the computer until the display assembly is in an upright position.
5. Disconnect the display cable connector **(1)** from the system board and remove the display cable **(2)** from the clips and routing channel built into the top cover.
6. Remove the wireless antenna cables **(3)** from the clips and routing channel built into the top cover.
7. Remove the two Phillips PM2.0×9.0 screws **(4)** that secure the display assembly to the computer.



8. Lift the display assembly straight up and remove it.

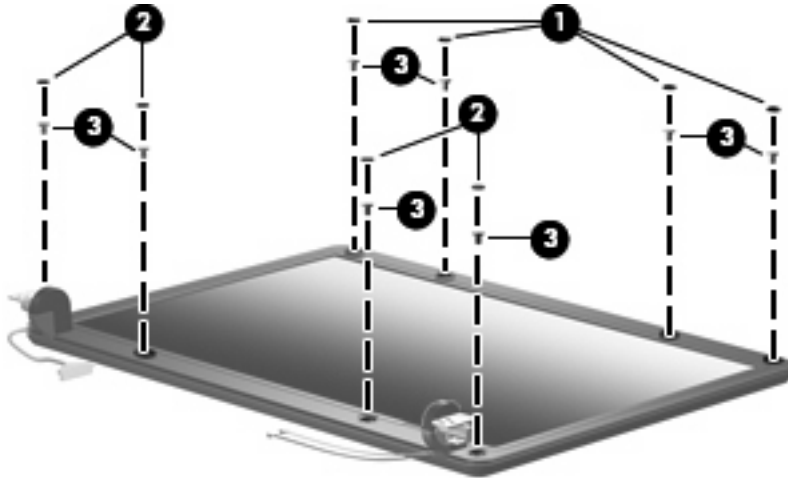


9. If it is necessary to replace any of the display assembly internal subcomponents, remove the following display bezel screw covers and screws:

- (1) Four round rubber screw covers on the top edge of the display bezel
- (2) Four flat rubber screw covers on the bottom edge of the display bezel
- (3) Eight Phillips PM2.5×6.0 screws



**NOTE** The display bezel screw covers are available in the Display Screw Cover Kit, spare part number 438542-001. All screws used to secure display assembly internal subcomponents are available in the Display Screw Kit, spare part number 438543-001.



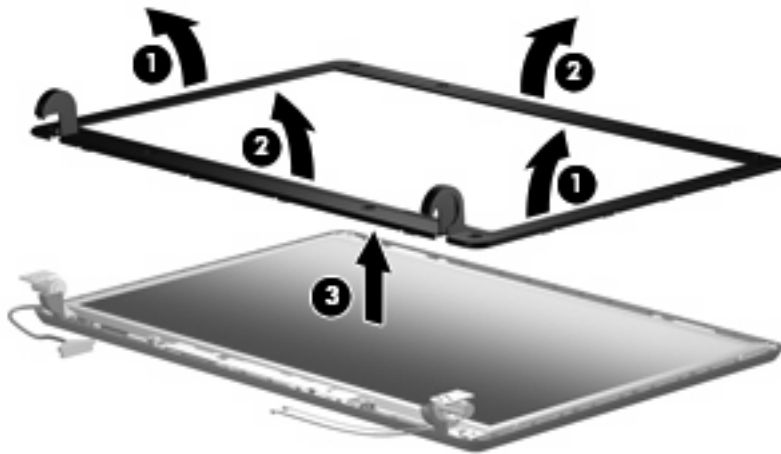
10. Flex the inside edges of the left and right sides (1) of the display bezel and the inside edges of the top and bottom sides (2) of the display bezel until the bezel disengages from the display assembly.
11. Remove the display bezel (3).



**NOTE** Display bezels are available using the following spare part numbers:

- 438535-001—for use only with computer models with 14.1-inch display panels
- 438534-001—for use only with computer models with 14.0-inch display panels

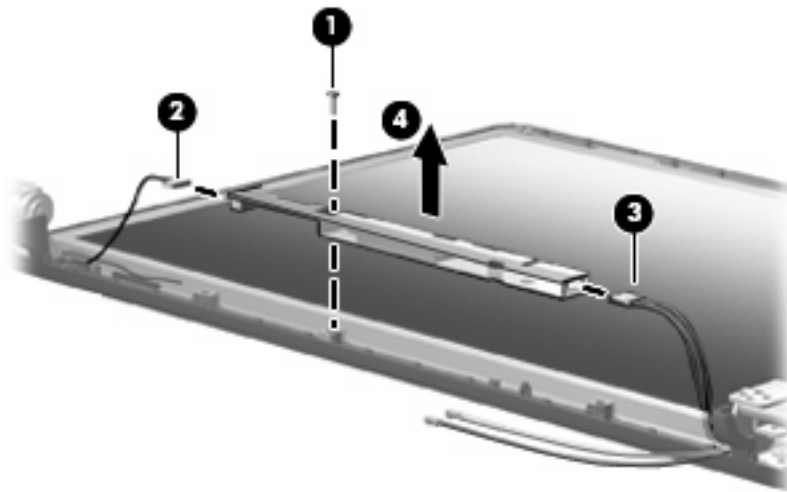




12. If it is necessary to replace the display inverter, remove the Phillips PM2.5×6.0 screw (1) that secures the inverter to the display enclosure.
13. Disconnect the display panel cable (2) and the backlight cable (3) from the inverter.
14. Remove the display inverter (4).



**NOTE** The display inverter is available using spare part number 438530-001.

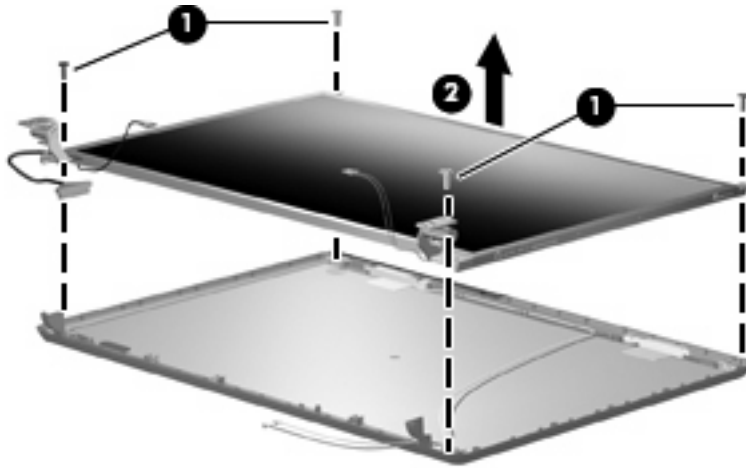


15. If it is necessary to replace the display panel, remove the four Phillips PM2.5×6.0 screws (1) that secure the panel to the display enclosure.
16. Remove the display panel (2).



**NOTE** Display panels are available using the following spare part numbers:

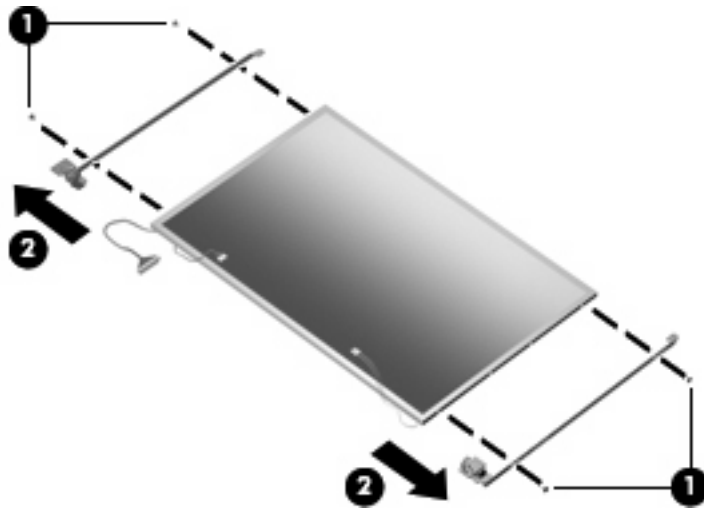
- 438541-001—14.1-inch WXGA AntiGlare display panel
- 438540-001—14.0-inch WXGA AntiGlare display panel



17. If it is necessary to replace either of the display hinges, remove the four Phillips PM2.0×3.0 screws (1) that secure each hinge to the display panel.
18. Remove the display hinges (2).



**NOTE** The display hinges are available in the Display Hinge Kit, spare part number 438536-001.

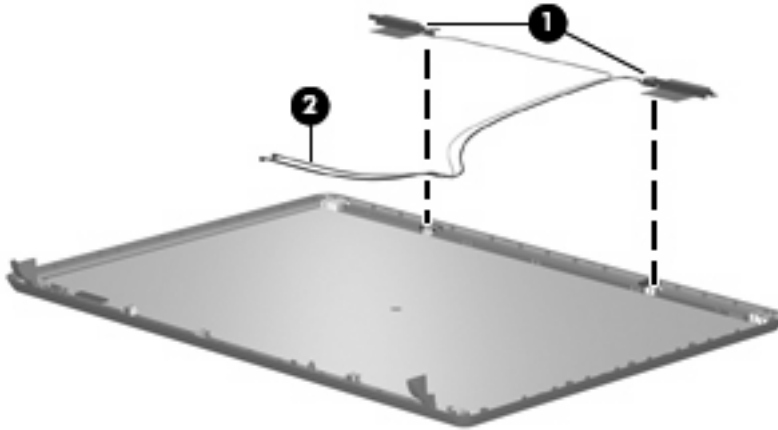


19. If it is necessary to replace the wireless antenna transceivers (1) and cables (2), remove the transceivers and cables from the display enclosure.



**NOTE** The wireless antenna transceivers are attached to the display enclosure by a thin layer of adhesive.

**NOTE** The wireless antenna transceivers and cables are available in the Wireless Antenna Kit, spare part number 438516-001.



Reverse this procedure to reassemble and install the display assembly.

## Base enclosure

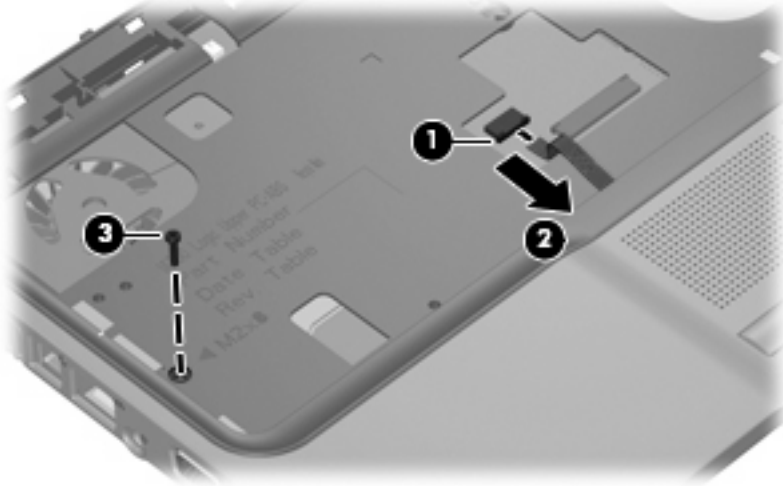
Description	Spare part number
Base enclosure	438517-001

Before removing the base enclosure, follow these steps:

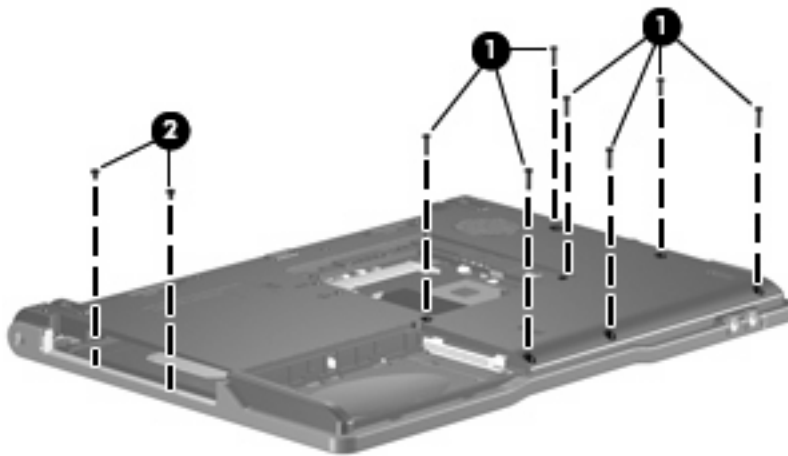
1. Shut down the computer. If you are unsure whether the computer is off or in hibernation, turn the computer on, and then shut it down through the operating system.
2. Disconnect all external devices connected to the computer.
3. Disconnect the power cord.
4. Remove the battery (see [Battery on page 28](#)).
5. Remove the following components:
  - a. Hard drive (see [Hard drive on page 29](#))
  - b. Memory/Mini PCI card module compartment cover (see [Memory module on page 31](#))
  - c. Optical drive (see [Optical drive on page 35](#))
  - d. Switch cover (see [Switch cover on page 37](#))
  - e. Keyboard (see [Keyboard on page 39](#))
  - f. Display assembly (see [Display assembly on page 41](#))

Remove the base enclosure:

1. Release the ZIF connector (1) to which the TouchPad cable is attached and disconnect the TouchPad cable (2).
2. Remove the Phillips PM2.0×9.0 screw (3) that secures the base enclosure to the computer.



3. Turn the computer upside down with the front toward you.
4. Remove the seven Phillips PM2.0×9.0 screws (1) and the two Phillips PM2.0×3.0 screws (2) that secure the base enclosure to the computer.



5. Lift the left side of the base enclosure (1) until the USB connectors (2) disengage from their openings in the base enclosure.



6. Remove the base enclosure.

Reverse this procedure to install the base enclosure.

## RTC battery

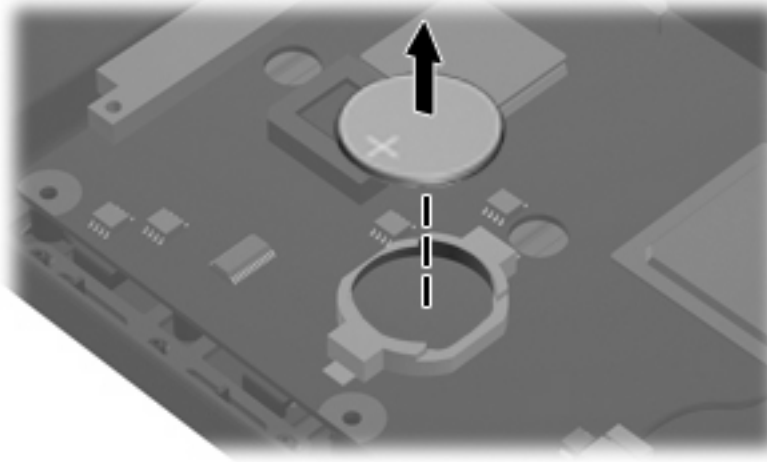
Description	Spare part number
RTC battery	438556-001

Before removing the RTC battery, follow these steps:

1. Shut down the computer. If you are unsure whether the computer is off or in hibernation, turn the computer on, and then shut it down through the operating system.
2. Disconnect all external devices connected to the computer.
3. Disconnect the power cord.
4. Remove the battery (see [Battery on page 28](#)).
5. Remove the following components:
  - a. Hard drive (see [Hard drive on page 29](#))
  - b. Memory/Mini PCI card module compartment cover (see [Memory module on page 31](#))
  - c. Optical drive (see [Optical drive on page 35](#))
  - d. Switch cover (see [Switch cover on page 37](#))
  - e. Keyboard (see [Keyboard on page 39](#))
  - f. Display assembly (see [Display assembly on page 41](#))
  - g. Base enclosure (see [Base enclosure on page 46](#))

Remove the RTC battery:

- ▲ Use a non-conductive, flat-bladed tool to pry the RTC battery out of the socket.



Reverse this procedure to install the RTC battery. Be sure the RTC battery is installed with the “+” sign facing up.

## Fan assembly

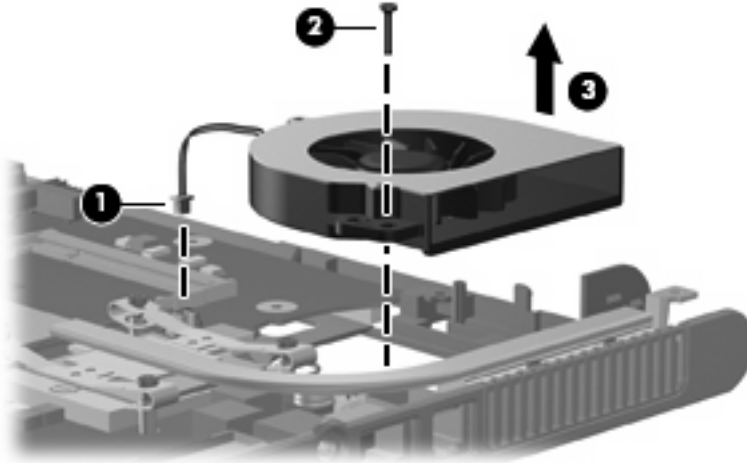
Description	Spare part number
Fan assembly	438528-001

Before removing the fan assembly, follow these steps:

1. Shut down the computer. If you are unsure whether the computer is off or in hibernation, turn the computer on, and then shut it down through the operating system.
2. Disconnect all external devices connected to the computer.
3. Disconnect the power cord.
4. Remove the battery (see [Battery on page 28](#)).
5. Remove the following components:
  - a. Hard drive (see [Hard drive on page 29](#))
  - b. Memory/Mini PCI card module compartment cover (see [Memory module on page 31](#))
  - c. Optical drive (see [Optical drive on page 35](#))
  - d. Switch cover (see [Switch cover on page 37](#))
  - e. Keyboard (see [Keyboard on page 39](#))
  - f. Display assembly (see [Display assembly on page 41](#))
  - g. Base enclosure (see [Base enclosure on page 46](#))

Remove the fan assembly:

1. Disconnect the fan cable (1) from the system board.
2. Remove the Phillips PM2.0×9.0 screw (2) that secures the fan assembly to the top cover.
3. Remove the fan assembly (3).



Reverse this procedure to install the fan assembly.



**NOTE** To properly ventilate the computer, allow at least a 7.6-cm (3-inch) clearance on the left and right sides of the computer.

The computer uses an electric fan for ventilation. The fan is controlled by a temperature sensor and is designed to be turned on automatically when high temperature conditions exist. These conditions are affected by high external temperatures, system power consumption, power management/battery conservation configurations, battery fast charging, and software applications. Exhaust air is displaced through the ventilation grill located on the left side of the computer.

## Heat sink

Description	Spare part number
Heat sink (includes thermal paste)	438529-001

Before removing the heat sink, follow these steps:

1. Shut down the computer. If you are unsure whether the computer is off or in hibernation, turn the computer on, and then shut it down through the operating system.
2. Disconnect all external devices connected to the computer.
3. Disconnect the power cord.

4. Remove the battery (see [Battery on page 28](#)).
5. Remove the following components:
  - a. Hard drive (see [Hard drive on page 29](#))
  - b. Memory/Mini PCI card module compartment cover (see [Memory module on page 31](#))
  - c. Optical drive (see [Optical drive on page 35](#))
  - d. Switch cover (see [Switch cover on page 37](#))
  - e. Keyboard (see [Keyboard on page 39](#))
  - f. Display assembly (see [Display assembly on page 41](#))
  - g. Base enclosure (see [Base enclosure on page 46](#))
  - h. Fan assembly (see [Fan assembly on page 49](#))

Remove the heat sink:

1. Remove the four Phillips PM2.5×6.0 screws **(1)** that secure the heat sink to the system board.
2. Slide the heat sink **(2)** to the left until the right side of the heat sink clears the top cover.



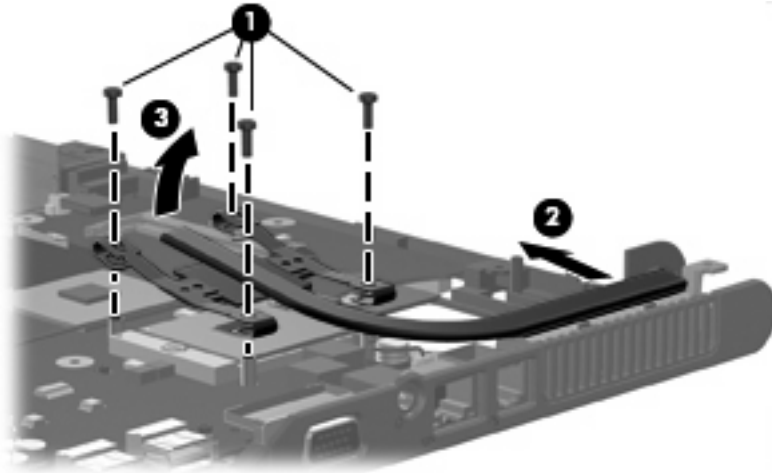
---

**NOTE** Due to the adhesive quality of the thermal paste located between the heat sink and processor, it may be necessary to move the heat sink from side to side to detach the heat sink from the processor.

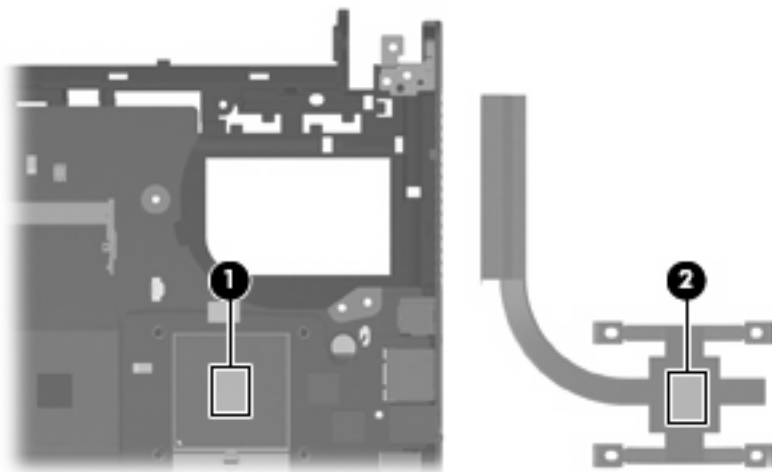
---



3. Lift the left side of the heat sink (3) and remove it.



**NOTE** The thermal paste should be thoroughly cleaned from the surfaces of the processor (1) and heat sink (2) each time the heat sink is removed. Thermal paste is included with all heat sink and processor spare part kits.



Reverse this procedure to install the heat sink.

## Processor



**NOTE** All processor spare part kits include thermal paste.

Description	Spare part number
Intel Pentium M 740 1.73-GHz processor	438555-001
Intel Celeron M 360 1.40-GHz processor	438554-001
Intel Celeron M 350 1.30-GHz processor	438553-001

Before removing the processor, follow these steps:

1. Shut down the computer. If you are unsure whether the computer is off or in hibernation, turn the computer on, and then shut it down through the operating system.
2. Disconnect all external devices connected to the computer.
3. Disconnect the power cord.
4. Remove the battery (see [Battery on page 28](#)).
5. Remove the following components:
  - a. Hard drive (see [Hard drive on page 29](#))
  - b. Memory/Mini PCI card module compartment cover (see [Memory module on page 31](#))
  - c. Optical drive (see [Optical drive on page 35](#))
  - d. Switch cover (see [Switch cover on page 37](#))
  - e. Keyboard (see [Keyboard on page 39](#))
  - f. Display assembly (see [Display assembly on page 41](#))
  - g. Base enclosure (see [Base enclosure on page 46](#))
  - h. Fan assembly (see [Fan assembly on page 49](#))
  - i. Heat sink (see [Heat sink on page 50](#))

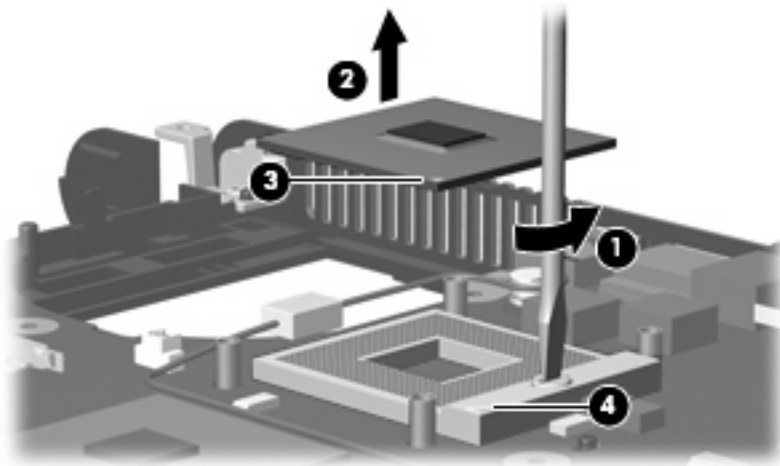
Remove the processor:

1. Use a flat-bladed screwdriver to turn the processor locking screw **(1)** one-half turn counterclockwise until you hear a click.

2. Lift the processor (2) straight up and remove it.



**NOTE** The gold triangle (3) on the processor should be aligned with the triangle (4) embossed on the processor socket when you install the processor.



Reverse this procedure to install the processor.

# Speaker

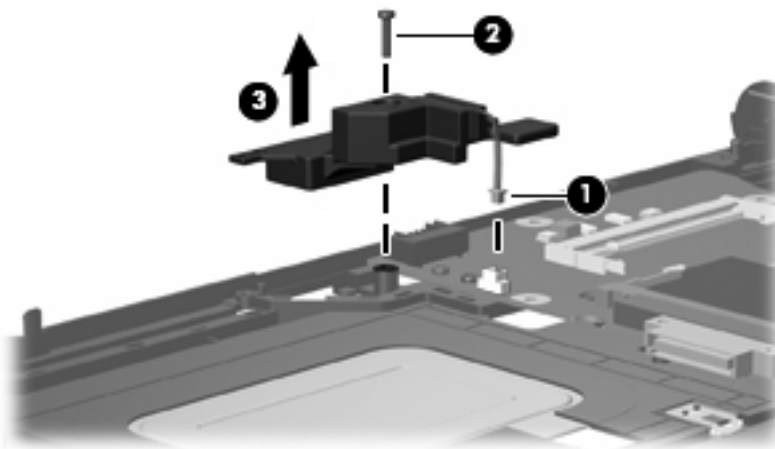
Description	Spare part number
Speaker	438559-001

Before removing the speaker, follow these steps:

1. Shut down the computer. If you are unsure whether the computer is off or in hibernation, turn the computer on, and then shut it down through the operating system.
2. Disconnect all external devices connected to the computer.
3. Disconnect the power cord.
4. Remove the battery (see [Battery on page 28](#)).
5. Remove the following components:
  - a. Hard drive (see [Hard drive on page 29](#))
  - b. Memory/Mini PCI card module compartment cover (see [Memory module on page 31](#))
  - c. Optical drive (see [Optical drive on page 35](#))
  - d. Switch cover (see [Switch cover on page 37](#))
  - e. Keyboard (see [Keyboard on page 39](#))
  - f. Display assembly (see [Display assembly on page 41](#))
  - g. Base enclosure (see [Base enclosure on page 46](#))

Remove the speaker:

1. Disconnect the speaker cable (1) from the system board.
2. Remove the Phillips PM2.0×9.0 screw (2) that secures the speaker to the top cover.
3. Remove the speaker (3).



Reverse this procedure to install the speaker.

## System board

Description	Spare part number
915GM for use only with computer models with wireless LAN capability	438521-001
910GML for use only with computer models with wireless LAN capability	438520-001
910GML for use only with computer models without wireless LAN capability	438519-001

When replacing the system board, be sure that the following components are removed from the defective system board and installed on the replacement system board:

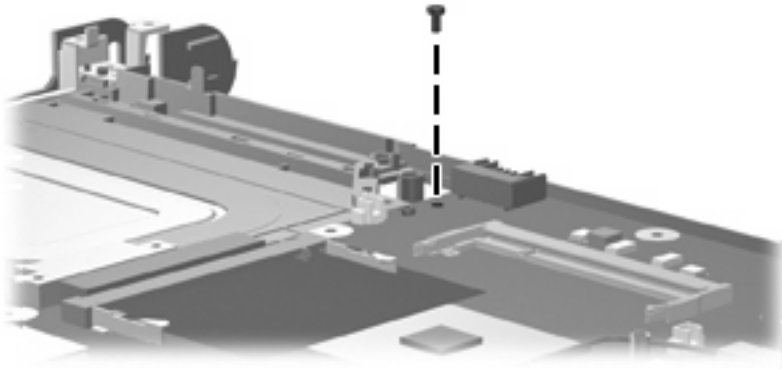
- Memory module (see [Memory module on page 31](#))
- Mini PCI card module (see [Mini PCI card module on page 33](#))
- RTC battery (see [RTC battery on page 48](#))
- Processor (see [Processor on page 53](#))
- PC Card assembly (see [PC Card assembly on page 58](#))

Before removing the system board, follow these steps:

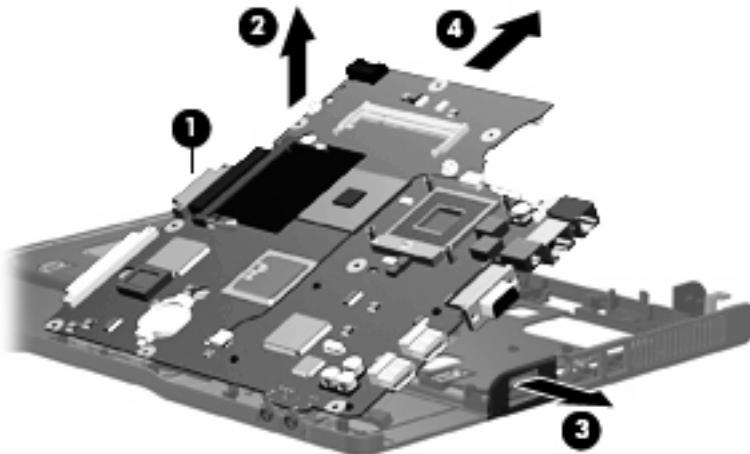
1. Shut down the computer. If you are unsure whether the computer is off or in hibernation, turn the computer on, and then shut it down through the operating system.
2. Disconnect all external devices connected to the computer.
3. Disconnect the power cord.
4. Remove the battery (see [Battery on page 28](#)).
5. Remove the following components:
  - a. Hard drive (see [Hard drive on page 29](#))
  - b. Memory/Mini PCI card module compartment cover (see [Memory module on page 31](#))
  - c. Optical drive (see [Optical drive on page 35](#))
  - d. Switch cover (see [Switch cover on page 37](#))
  - e. Keyboard (see [Keyboard on page 39](#))
  - f. Display assembly (see [Display assembly on page 41](#))
  - g. Base enclosure (see [Base enclosure on page 46](#))
  - h. Fan assembly (see [Fan assembly on page 49](#))
  - i. Heat sink (see [Heat sink on page 50](#))

Remove the system board:

1. Remove the Phillips PM2.0×3.0 screw that secures the system board to the top cover .



2. Use the optical drive connector (1) to lift the left side of the system board (2) until it rests at an angle.
3. Flex the right side of the top cover (3) until the external monitor connector clears the opening in the top cover.
4. Slide the system board (4) away from the top cover at an angle until it clears the top cover



Reverse this procedures to install the system board.

## PC Card assembly

Description	Spare part number
PC Card assembly	438551-001
PC Card slot bezel	438527-001

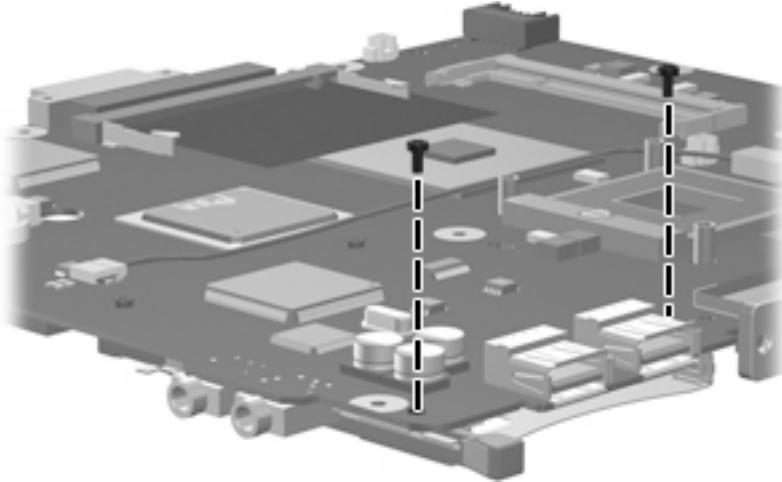
Before removing the PC Card assembly, follow these steps:

1. Shut down the computer. If you are unsure whether the computer is off or in hibernation, turn the computer on, and then shut it down through the operating system.
2. Disconnect all external devices connected to the computer.
3. Disconnect the power cord.
4. Remove the battery (see [Battery on page 28](#)).
5. Remove the following components:
  - a. Hard drive (see [Hard drive on page 29](#))
  - b. Memory/Mini PCI card module compartment cover (see [Memory module on page 31](#))
  - c. Optical drive (see [Optical drive on page 35](#))
  - d. Switch cover (see [Switch cover on page 37](#))
  - e. Keyboard (see [Keyboard on page 39](#))
  - f. Display assembly (see [Display assembly on page 41](#))
  - g. Base enclosure (see [Base enclosure on page 46](#))
  - h. Fan assembly (see [Fan assembly on page 49](#))
  - i. Heat sink (see [Heat sink on page 50](#))
  - j. System board (see [System board on page 56](#))

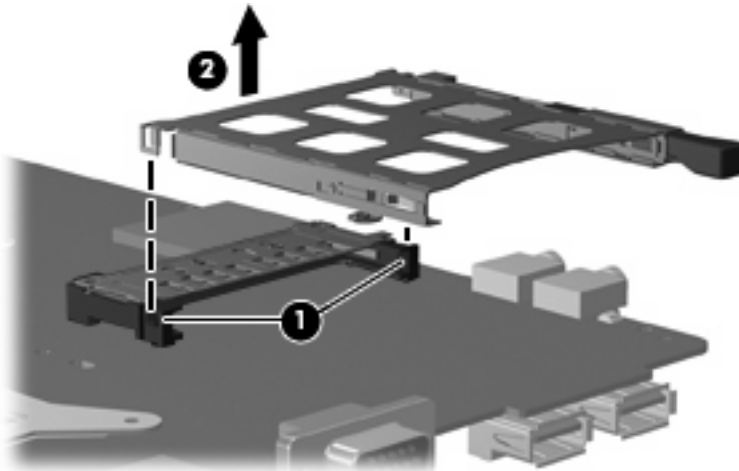
Remove the PC Card assembly:

1. Position the system board with the PC Card eject button toward you.

2. Remove the two Phillips PM2.0×3.0 screws that secure the PC Card assembly to the system board.



3. Turn the system board top-side up with the PC Card eject button toward you.
4. Disengage the slots on the PC Card assembly from the tabs **(1)** on the PC Card connector.  
Remove the PC Card assembly from the system board.



Reverse this procedure to install the PC Card assembly.



## TouchPad cable

Description	Spare part number
TouchPad cable	438551-001

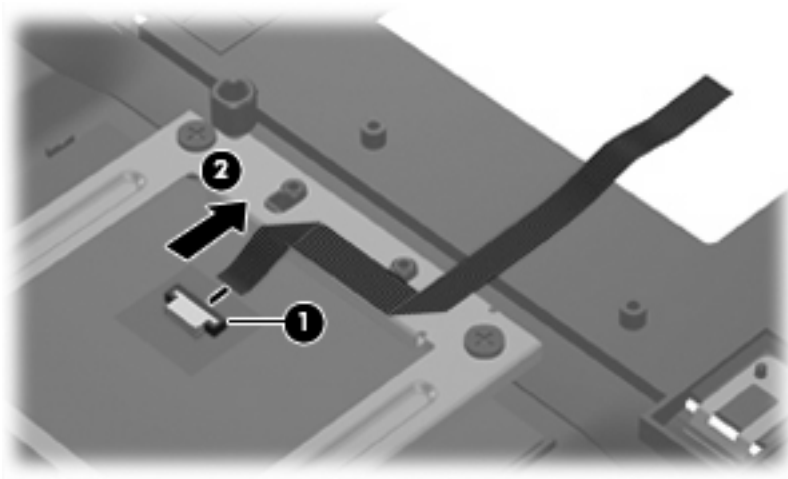
Before removing the TouchPad cable, follow these steps:

1. Shut down the computer. If you are unsure whether the computer is off or in hibernation, turn the computer on, and then shut it down through the operating system.
2. Disconnect all external devices connected to the computer.
3. Disconnect the power cord.
4. Remove the battery (see [Battery on page 28](#)).
5. Remove the following components:
  - a. Hard drive (see [Hard drive on page 29](#))
  - b. Memory/Mini PCI card module compartment cover (see [Memory module on page 31](#))
  - c. Optical drive (see [Optical drive on page 35](#))
  - d. Switch cover (see [Switch cover on page 37](#))
  - e. Keyboard (see [Keyboard on page 39](#))
  - f. Display assembly (see [Display assembly on page 41](#))
  - g. Base enclosure (see [Base enclosure on page 46](#))
  - h. Fan assembly (see [Fan assembly on page 49](#))
  - i. Heat sink (see [Heat sink on page 50](#))
  - j. System board (see [System board on page 56](#))

Remove the TouchPad cable:

1. Position the top cover with the front toward you.

2. Release the ZIF connector (1) to which the TouchPad cable is connected and disconnect the TouchPad cable (2) from the TouchPad board.



Reverse this procedure to install the TouchPad cable.

---

# 6 Computer Setup



**WARNING!** Only authorized technicians trained by HP should repair this equipment. All troubleshooting and repair procedures are detailed to allow only subassembly-/module-level repair. Because of the complexity of the individual boards and subassemblies, do not attempt to make repairs at the component level or modifications to any printed wiring board. Improper repairs can create a safety hazard. Any indication of component replacement or printed wiring board modification may void any warranty or exchange allowances.

---

## Computer Setup access

Computer Setup is a preinstalled, ROM-based utility that can be used even when the operating system is not working or will not load.



**NOTE** Some of the Computer Setup menu items listed in this section may not be supported by your computer.

**NOTE** Pointing devices are not supported in Computer Setup. You must use the keyboard to navigate and make selections.

**NOTE** An external keyboard connected by USB can be used with Computer Setup only if USB legacy support is enabled.

---

The information and settings in Computer Setup are accessed from the File, Security, Diagnostics, and System Configuration menus.

1. Open Computer Setup by turning on or restarting the computer, and then pressing **f10** while the “F10 = ROM Based Setup” message is displayed in the lower-left corner of the screen.

In Computer Setup, the following shortcuts are available:

- To change the language, press **f2**.
  - To view navigation information, press **f1**.
  - To close open dialog boxes and return to the main Computer Setup screen **esc**.
2. Select the **Files**, **Security**, **Diagnostics**, or **System Configuration** menu.
  3. To exit Computer Setup, choose one of the following methods:
    - To exit Computer Setup without saving your preferences, use the arrow keys to select **File > Ignore Changes and Exit**. Then follow the instructions on the screen.
    - To save your preferences and exit Computer Setup, use the arrow keys to select **File > Save Changes and Exit**. Then follow the instructions on the screen.

Your preferences go into effect when the computer restarts.

## Computer Setup defaults

To return all settings in Computer Setup to the values that were set at the factory:

1. Open Computer Setup by turning on or restarting the computer, and then pressing **f10** while the "F10 = ROM Based Setup" message is displayed in the lower-left corner of the screen.

In Computer Setup, the following shortcuts are available:

- To change the language, press **f2**.
  - To view navigation information, press **f1**.
  - To close open dialog boxes and return to the main Computer Setup screen, press **esc**.
2. Use the arrow keys to select **File > Restore defaults**, and then press **enter**.
  3. When the confirmation dialog box opens, press **f10**.
  4. Select the **Restore defaults** check box, and then press **enter**.
  5. To confirm the restoration, press **f10**.
  6. To save your preferences and exit Computer Setup, use the arrow keys to select **File > Save Changes and Exit**. Then follow the instructions on the screen.

Your preferences go into effect when the computer restarts.



---

**NOTE** Your password and security settings are not changed when you restore the factory default settings.

---

# Computer Setup menus

The menu tables in this section provide an overview of Computer Setup options.






**NOTE** Some of the Computer Setup menu items listed in this chapter may not be supported by your computer.

## File Menu

Select	To Do This
System information	<ul style="list-style-type: none"><li>• View identification information for the computer and the batteries in the system.</li><li>• View specification information for the processor, cache and memory size, system ROM, video revision, and keyboard controller version.</li></ul>
Restore defaults	Replace the configuration settings in Computer Setup with factory settings. (Password and security settings are not changed when you restore the factory default settings.)
Ignore changes and exit	Cancel changes entered during the current session. Then exit and restart the computer.
Save changes and exit	Save changes entered during the current session. Then exit and restart the computer. Your changes go into effect when the computer restarts.

## Security menu

Select	To Do This
Setup password	Enter, change, or delete a setup password.
Power-On password	Enter, change, or delete a power-on password.
Password options	<ul style="list-style-type: none"><li>• Enable/disable stringent security.</li><li>• Enable/disable password requirement on computer restart.</li></ul>
DriveLock passwords	<ul style="list-style-type: none"><li>• Enable/disable DriveLock on any computer hard drive.</li><li>• Change a DriveLock user or master password.</li></ul>
	 <b>NOTE</b> DriveLock settings are accessible only when you enter Computer Setup by turning on (not restarting) the computer.
Smart Card security	Enable/disable support for smart card and Java™ Card power-on authentication.
	 <b>NOTE</b> Power-on authentication for smart cards is supported only on computers with optional smart card readers.
TPM Embedded Security	Enable/disable support for TPM (Trusted Platform Module) Embedded Security, which protects the computer from unauthorized access to owner functions in Embedded Security for ProtectTools. For more information, refer to the ProtectTools Security Manager Reference Guide located in the Help and Support Center, or refer to Credential Manager for ProtectTools online Help.


Select	To Do This
System IDs	Enter user-defined computer asset and ownership tag.
Disk Sanitizer	<p>Run Disk Sanitizer to destroy all existing data on the primary hard drive. The following options are available:</p> <ul style="list-style-type: none"> <li>• Fast: Runs the Disk Sanitizer erase cycle once.</li> <li>• Optimum: Runs the Disk Sanitizer erase cycle 3 times.</li> <li>• Custom: Allows you to select the desired number of Disk Sanitizer erase cycles from a list.</li> </ul> <p> <b>CAUTION</b> If you run Disk Sanitizer, the data on the primary hard drive is destroyed permanently.</p>

## Diagnostics menu

Select	To Do This
Memory Check	Run a comprehensive check on system memory.
Hard Drive Self-Test options	Run a comprehensive self-test on any hard drive in the system.

## System Configuration menu

Select	To Do This
Language (or press <b>f2</b> )	Change the Computer Setup language.
Boot options	<ul style="list-style-type: none"> <li>• Set <b>f9</b>, <b>f10</b>, and <b>f12</b> delay when starting up.</li> <li>• Enable/disable CD-ROM boot.</li> <li>• Enable/disable Floppy boot.</li> <li>• Enable/disable internal network adapter boot and set the boot mode (PXE or RPL).</li> <li>• Enable/disable MultiBoot, which sets a boot order that can include most boot devices in the system.</li> <li>• Set the boot order.</li> </ul>
Device configurations	<ul style="list-style-type: none"> <li>• Swap the functions of the <b>fn</b> key and left <b>ctrl</b> key.</li> <li>• Enable/disable multiple standard pointing devices at startup. (To set the computer to support only a single, usually nonstandard, pointing device at startup, select <b>Disable</b>.)</li> <li>• Enable/disable USB legacy support. When enabled, USB legacy support allows <ul style="list-style-type: none"> <li>• A USB keyboard, mouse, and hub to work in Computer Setup even when a Windows operating system is not loaded.</li> <li>• The computer to start from bootable USB devices, including a hard drive, diskette drive diskette, or optical drive connected by a USB</li> </ul> </li> </ul>

Select	To Do This
	<p>port to the computer or to an optional docking device (select models only).</p> <ul style="list-style-type: none"> <li>• Automatic/disable Intel SpeedStep Technology.</li> <li>• Select a parallel port mode: EPP (Enhanced Parallel Port), standard, bidirectional, or ECP (Enhanced Capabilities Port).</li> <li>• Enable/disable BIOS DMA data transfers (select models only)</li> <li>• Enable/disable the system fan when connected to an AC outlet.</li> <li>• Enable/disable Intel or AMD PSAE Execution Disable. When enabled, the processor can disable some virus code execution, which helps to improve computer security.</li> <li>• Enable/disable LAN Power Save. When enabled, saves power by turning off the LAN when not in use.</li> <li>• Enable/disable SATA Native Support.</li> <li>• Enable/disable Dual Core CPU.</li> <li>• Enable/disable Secondary Battery Fast Charge.</li> </ul>
Built-in Device Options	<ul style="list-style-type: none"> <li>• Enable/disable embedded WWAN Device Radio.</li> <li>• Enable/disable embedded WLAN Device Radio</li> <li>• Enable/disable embedded Bluetooth® Device Radio.</li> <li>• Enable/disable LAN/WLAN Switching. When enabled, switches to a WLAN when a LAN is either unavailable or disconnected.</li> <li>• Enable/disable Wake on LAN from Off.</li> <li>• Enable/disable the ambient light sensor.</li> </ul>
Port Options	<ul style="list-style-type: none"> <li>• Enable/disable the serial port.</li> <li>• Enable/disable the parallel port.</li> <li>• Enable/disable the flash media reader.</li> <li>• Enable/disable the USB port.</li> </ul> <p> <b>CAUTION</b> Disabling the USB port also disables MultiBay devices and ExpressCard devices on the advanced port replicator.</p> <ul style="list-style-type: none"> <li>• Enable/disable the 1394 port.</li> <li>• Enable/disable the cardbus slot.</li> <li>• Enable/disable the ExpressCard slot.</li> <li>• Enable/disable the infrared port.</li> </ul>

# 7 Specifications

## Computer specifications


	Metric	U.S.
<b>Dimensions</b>		
Height (front to back)	3.01 to 3.41 cm	1.18 to 1.34 in
Width	33.39 cm	13.19 in
Depth	24.68 cm	9.75 in
<b>Weight</b> (with optical drive, hard drive, and battery)	2.48 kg	5.47 lbs
<b>Input power</b>		
Operating voltage	18.5 V dc @ 3.5 A – 65 W	
Operating current	3.5 A	
<b>Temperature</b>		
Operating (not writing to optical disc)	0°C to 35°C	32°F to 95°F
Operating (writing to optical disc)	5°C to 35°C	41°F to 95°F
Nonoperating	-20°C to 60°C	-4°F to 140°F
<b>Relative humidity</b>		
Operating	10% to 90%	
Nonoperating	5% to 95%	
<b>Maximum altitude</b> (unpressurized)		
Operating (14.7 to 10.1 psia)	-15 m to 3,048 m	50 ft to 10,000 ft
Nonoperating (14.7 to 4.4 psia)	-15 m to 12,192 m	-50 ft to 40,000 ft
<b>Shock</b>		
Operating	125 g, 2 ms, half-sine	
Nonoperating	200 g, 2 ms, half-sine	
<b>Random vibration</b>		
Operating	0.75 g zero-to-peak, 10 Hz to 500 Hz, 0.25 oct/min sweep rate	



---

	Metric	U.S.
Nonoperating	1.50 g zero-to-peak, 10 Hz to 500 Hz, 0.5 oct/min sweep rate	

---

 **NOTE** Applicable product safety standards specify thermal limits for plastic surfaces. The computer operates well within this range of temperatures.

---

## 14.1-inch, WXGA display specifications

	Metric	U.S.
<b>Dimensions</b>		
Height	21.4 cm	8.4 in
Width	28.6 cm	11.2 in
Diagonal	35.7 cm	14.1 in
<b>Number of colors</b>	Up to 16.8 million	
<b>Contrast ratio</b>	300:1 (typical)	
<b>Brightness</b>	200 nits (typical)	
<b>Pixel resolution</b>		
Pitch	0.237 × 0.237 mm	
Format	1024 × 768	
Configuration	RGB stripe	
<b>Backlight</b>	CCFL	
<b>Refresh rate</b>	60 Hz	
<b>PPI</b>	107	
<b>Viewing angle</b>	+/-45° horizontal, +/-25° vertical (typical)	

## 14.0-inch, WXGA display specifications

	Metric	U.S.
<b>Dimensions</b>		
Height		8.3 in
Width		11.1 in
Diagonal		14.0 in
<b>Number of colors</b>	Up to 16.8 million	
<b>Contrast ratio</b>	300:1 (typical)	
<b>Brightness</b>	200 nits (typical)	
<b>Pixel resolution</b>		
Pitch	0.237 × 0.237	
Format	1024 × 768	
Configuration	RGB stripe	
<b>Backlight</b>	CCFL	
<b>Refresh rate</b>	60 Hz	
<b>PPI</b>	107	
<b>Viewing angle</b>	+/-45° horizontal, +/-25° vertical (typical)	

# Hard drive specifications

	60-GB*	40-GB*
<b>Dimensions</b>		
Height	9.5 mm	9.5 mm
Width	70 mm	70 mm
Weight	101 g	101 g
<b>Interface type</b>		
	ATA-7	ATA-7
<b>Transfer rate</b>		
Synchronous (maximum)	100 MB/sec	100 MB/sec
Security	ATA security	ATA security
<b>Seek times (typical read, including setting)</b>		
Single track	3 ms	3 ms
Average	13 ms	13 ms
Maximum	24 ms	24 ms
<b>Logical blocks</b>		
	117,210,240	78,140,160
<b>Disc rotational speed</b>		
	5400 rpm	420 rpm
<b>Operating temperature</b>		
	5°C to 55°C (41°F to 131°F)	

\*1 GB = 1 billion bytes when referring to hard drive storage capacity. Actual accessible capacity is less.

†Actual drive specifications may differ slightly.



**NOTE** Certain restrictions and exclusions apply. Consult Customer Care for details.

## Primary 4-cell, Li-ion battery specifications

	Metric	U.S.
<b>Dimensions</b>		
Height	2.00 cm	0.79 in
Width	26.80 cm	3.70 in
Depth	5.30 cm	5.28 in
Weight	0.34 kg	0.75 lb
<b>Energy</b>		
Voltage	14.4 V	
Amp-hour capacity	4.8 Ah	
Watt-hour capacity	69 Wh	
<b>Temperature</b>		
Operating	5°C to 45°C	41°F to 113°F
Nonoperating	0°C to 60°C	32°F to 140°F

# DVD±RW and CD-RW Super Multi Double-Layer Combo Drive specifications

Applicable disc	Read:	Write:
	CD-DA, CD+(E)G, CD-MIDI, CD-TEXT, CD-ROM, CD-ROM XA, MIXED MODE CD, CD-I, CD-I Bridge (Photo-CD, Video CD), Multisession CD (Photo-CD, CD-EXTRA, Portfolio, CD-R, CD-RW), CD-R, CD-RW, DVD-ROM (DVD-5, DVD-9, DVD-10, DVD-18), DVD-R, DVD-RW, DVD+R, DVD+RW, DVD-RAM	CD-R and CD-RW DVD+R, DVD+RW, DVD-R, DVD-RW, DVD-RAM
<b>Center hole diameter</b>	1.5 cm (0.59 in)	
<b>Disc diameter</b>		
Standard disc	12 cm (4.72 in)	
Mini disc	8 cm (3.15 in)	
<b>Disc thickness</b>	1.2 mm (0.047 in)	
<b>Track pitch</b>	0.74 µm	
<b>Access time</b>	CD	DVD
Random	< 175 ms	< 230 ms
Full stroke	< 285 ms	< 335 ms
<b>Audio output level</b>	Audio-out, 0.7 Vrms	
<b>Cache buffer</b>	2 MB	
<b>Data transfer rate</b>		
24X CD-ROM	3,600 KB/sec	
8X DVD	10,800 KB/sec	
24X CD-R	3,600 KB/sec	
16X CD-RW	2,400 KB/sec	
8X DVD+R	10,800 KB/sec	
4X DVD+RW	5,400 KB/sec	
8X DVD-R	10,800 KB/sec	
4X DVD-RW	5,400 KB/sec	
2.4X DVD+R(9)	2,700 KB/sec	
5X DVD-RAM	6,750 KB/sec	
<b>Transfer mode</b>	Multiword DMA Mode	
<b>Startup time</b>	< 15 seconds	
<b>Stop time</b>	< 6 seconds	

# DVD±RW/R and CD-RW Double-Layer Combo Drive specifications

Applicable disc	Read:	Write:
	CD-DA, CD+(E)G, CD-MIDI, CD-TEXT, CD-ROM, CD-ROM XA, MIXED MODE CD, CD-I, CD-I Bridge (Photo-CD, Video CD), Multisession CD (Photo-CD, CD-EXTRA, Portfolio, CD-R, CD-RW), CD-R, CD-RW, DVD-ROM (DVD-5, DVD-9, DVD-10, DVD-18), DVD-R, DVD-RW, DVD+R, DVD+RW, DVD-RAM	CD-R and CD-RW
<b>Center hole diameter</b>	1.5 cm (0.59 in)	
<b>Disc diameter</b>		
Standard disc	12 cm (4.72 in)	
Mini disc	8 cm (3.15 in)	
<b>Disc thickness</b>	1.2 mm (0.047 in)	
<b>Track pitch</b>	0.74 µm	
<b>Access time</b>	CD	DVD
Random	< 110 ms	< 130 ms
Full stroke	< 210 ms	< 225 ms
<b>Audio output level</b>	Line-out, 0.7 Vrms	
<b>Cache buffer</b>	2 MB	
<b>Data transfer rate</b>	24X CD-ROM 3,600 KB/s 8X DVD 10,800 KB/s 24X CD-R 3,600 KB/s 24X CD-RW 3,600 KB/s	
24X CD-ROM	3,600 KB/sec	
8X DVD	10,800 KB/sec	
24X CD-R	3,600 KB/sec	
24X CD-RW	3,600 KB/sec	
<b>Transfer mode</b>	Multiword DMA mode 2	
<b>Startup time</b>	< 15 seconds	
<b>Stop time</b>	< 6 seconds	

## System DMA specifications

Hardware DMA	System function
DMA0	Not applicable
DMA1*	Not applicable
DMA2*	Not applicable
DMA3	Not applicable
DMA4	Direct memory access controller
DMA5*	Available for PC Card
DMA6	Not assigned
DMA7	Not assigned

\*PC Card controller can use DMA 1, 2, or 5.



# System interrupt specifications

Hardware IRQ	System function
IRQ0	System timer
IRQ1	Standard 101-/102-Key or Microsoft Natural Keyboard
IRQ2	Cascaded
IRQ3	Intel 82801DB/DBM USB2 Enhanced Host Controller—24CD
IRQ4	COM1
IRQ5*	Conexant AC—Link Audio Intel 82801DB/DBM SMBus Controller—24C3 Data Fax Modem with SmartCP
IRQ6	Diskette drive
IRQ7*	Parallel port
IRQ8	System CMOS/real-time clock
IRQ9*	Microsoft ACPI-compliant system
IRQ10*	Intel USB UHCI controller—24C2  Intel 82852/82855 GM/GME Graphic Controller  Realtek RTL8139 Family PCI fast Ethernet Controller
IRQ11	Intel USB EHCI controller—24CD  Intel USB UHCI controller—24C4  Intel USB UHCI controller—24C7  Intel Pro/Wireless 2200BG  TI OHCI 1394 host controller  TI PCI1410 CardBus controller
IRQ12	Synaptics PS/2 TouchPad
IRQ13	Numeric data processor
IRQ14	Primary IDE channel
IRQ15	Secondary IDE channel

\*Default configuration; audio possible configurations are IRQ5, IRQ7, IRQ9, IRQ10, or none.



**NOTE** PC Cards may assert IRQ3, IRQ4, IRQ5, IRQ7, IRQ9, IRQ10, IRQ11, or IRQ15. Either the infrared or the serial port may assert IRQ3 or IRQ4.

## System I/O address specifications

I/O address (hex)	System function (shipping configuration)
000 - 00F	DMA controller no. 1
010 - 01F	Unused
020 - 021	Interrupt controller no. 1
022 - 024	Opti chipset configuration registers
025 - 03F	Unused
02E - 02F	87334 "Super I/O" configuration for CPU
040 - 05F	Counter/timer registers
044 - 05F	Unused
060	Keyboard controller
061	Port B
062 - 063	Unused
064	Keyboard controller
065 - 06F	Unused
070 - 071	NMI enable/RTC
072 - 07F	Unused
080 - 08F	DMA page registers
090 - 091	Unused
092	Port A
093 - 09F	Unused
0A0 - 0A1	Interrupt controller no. 2
I/O Address (hex)	System Function (shipping configuration)
0A2 - 0BF	Unused
0C0 - 0DF	DMA controller no. 2
0E0 - 0EF	Unused
0F0 - 0F1	Coprocessor busy clear/reset
0F2 - 0FF	Unused
100 - 16F	Unused
170 - 177	Secondary fixed disk controller
178 - 1EF	Unused
1F0 - 1F7	Primary fixed disk controller
1F8 - 200	Unused
201	JoyStick (decoded in ESS1688)
202 - 21F	Unused

I/O address (hex)	System function (shipping configuration)
220 - 22F	Entertainment audio
230 - 26D	Unused
26E - 26	Unused
278 - 27F	Unused
280 - 2AB	Unused
2A0 - 2A7	Unused
2A8 - 2E7	Unused
2E8 - 2EF	Reserved serial port
2F0 - 2F7	Unused
2F8 - 2FF	Infrared port
300 - 31F	Unused
320 - 36F	Unused
370 - 377	Secondary diskette drive controller
378 - 37F	Parallel port (LPT1/default)
380 - 387	Unused
388 - 38B	FM synthesizer—OPL3
38C - 3AF	Unused
3B0 - 3BB	VGA
3BC - 3BF	Reserved (parallel port/no EPP support)
3C0 - 3DF	VGA
3E0 - 3E1	PC Card controller in CPU
3E2 - 3E3	Unused
3E8 - 3EF	Internal modem
3F0 - 3F7	“A” diskette controller
3F8 - 3FF	Serial port (COM1/default)
CF8 - CFB	PCI configuration index register (PCIDIVO-1)
CFC - CFF	PCI configuration data register (PCIDIVO-1)

## System memory map specifications

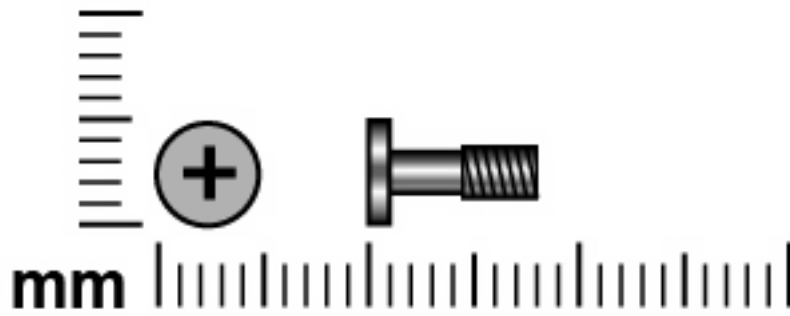
Size	Memory address	System function
640 KB	00000000-0009FFFF	Base memory
128 KB	000A0000-000BFFFF	Video memory
48 KB	000C0000-000CBFFF	Video BIOS
160 KB	000C8000-000E7FFF	Unused
64 KB	000E8000-000FFFFF	System BIOS
15 MB	00100000-00FFFFFF	Extended memory
58 MB	04800000-07FFFFFF	Super extended memory
58 MB	04800000-07FFFFFF	Unused
2 MB	08000000-080FFFFF	Video memory (direct access)
4 GB	08200000-FFFEFFFF	Unused
64 KB	FFFF0000-FFFFFFFF	System BIOS

---

## 8 Screw listing

This section provides specification and reference information for the screws and screw locks used in the computer. All screws and screw locks listed in this section are available in the Screw Kit, spare part number 438558-001, and the Display Screw Kit, spare part number 438543-001.

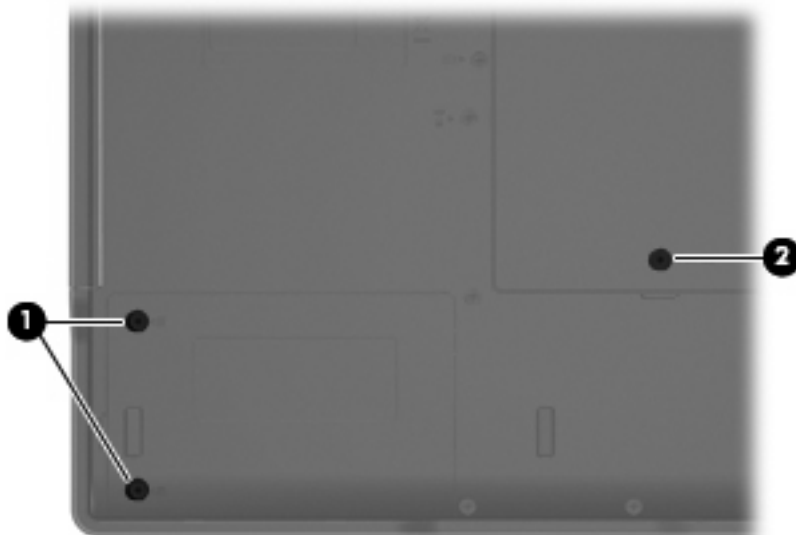
## Phillips PM2.5×8.0 captive screw



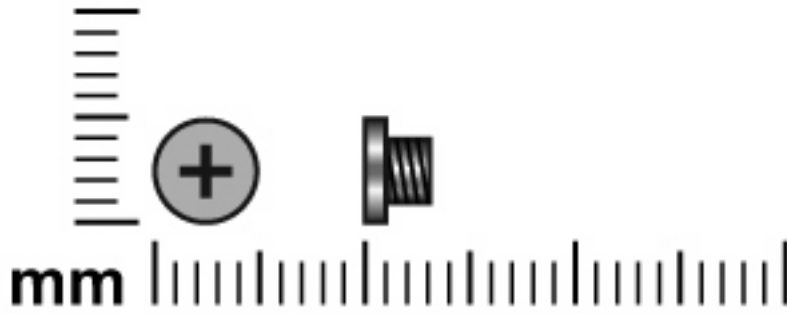
Color	Quantity	Length	Thread	Head width
Black	3	8.0 mm	2.5 mm	5.0 mm

### Where used:

- (1) Two screws that secure the hard drive cover to the computer (screws are captured on the cover by C clips)
- (2) One screw that secures the memory/Mini PCI card module compartment cover to the computer (screw is captured on the cover by a C clip)

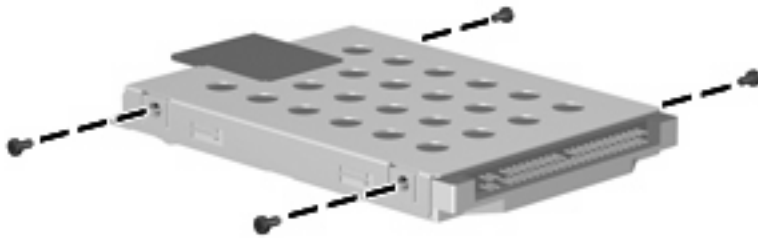


## Phillips PM3.0×3.0 screw

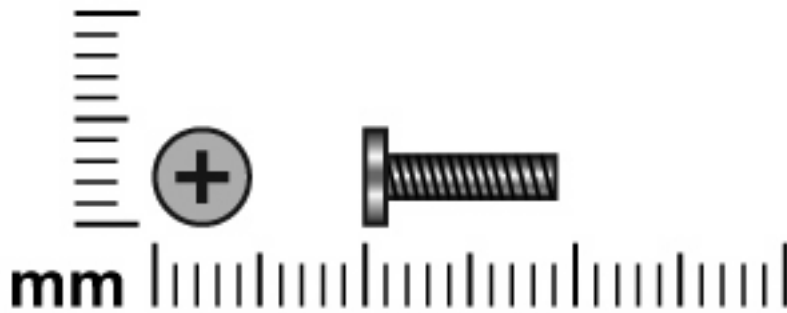


Color	Quantity	Length	Thread	Head width
Silver	4	3.0 mm	3.0 mm	5.0 mm

**Where used:** Four screws that secure the hard drive bracket to the hard drive



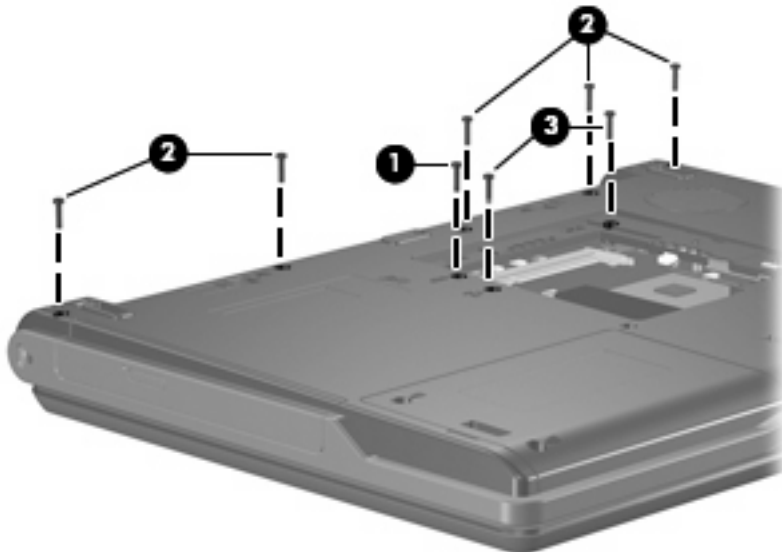
## Phillips PM2.0×9.0 screw



Color	Quantity	Length	Thread	Head width
Black	20	9.0 mm	2.0 mm	5.0 mm

### Where used:

- (1) One screw that secures the optical drive to the computer
- (2) Five screws that secure the switch cover to the computer
- (3) Two screws that secure the keyboard to the computer

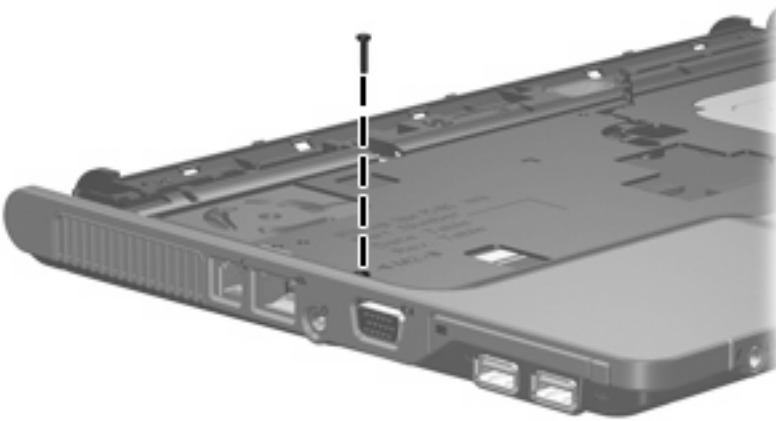


**Where used:** 2 screws that secure the display assembly to the computer

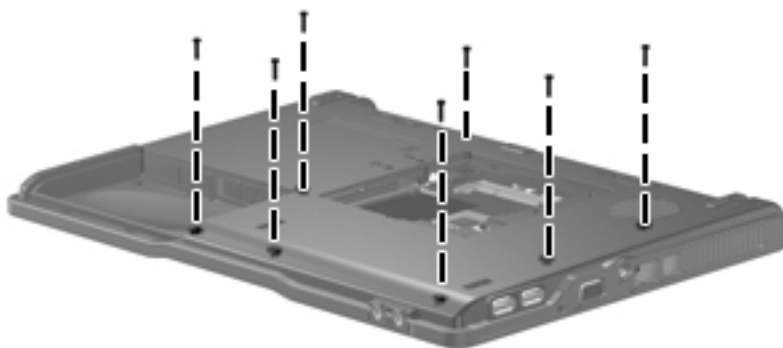




**Where used:** One screw that secures the base enclosure to the computer

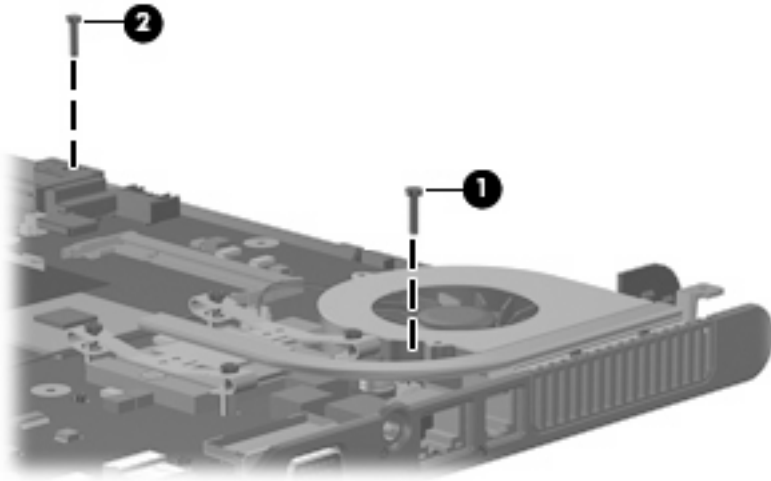


**Where used:** 7 screws that secure the base enclosure to the computer

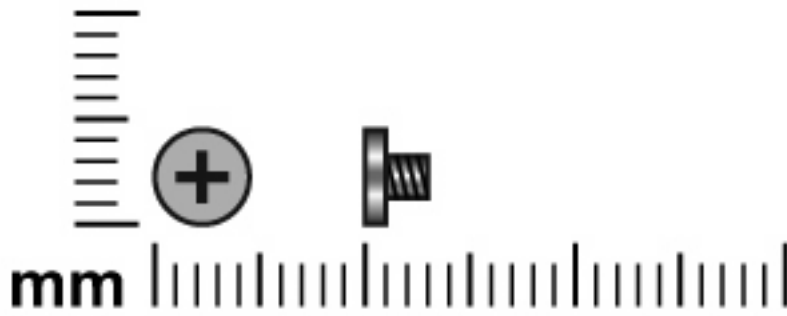


**Where used:**

- (1) One screw that secures the fan assembly to the computer
- (2) One screw that secures the speaker to the computer

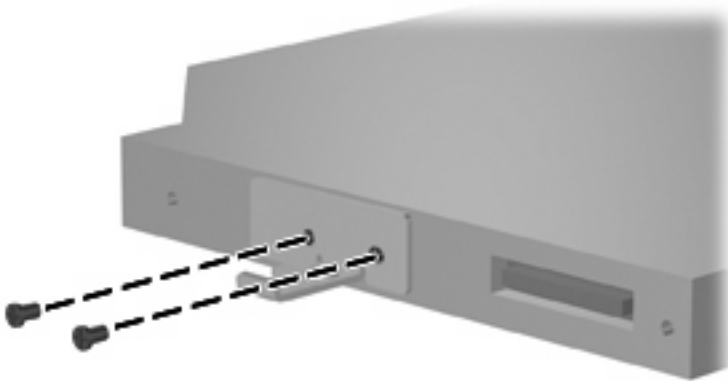


## Phillips PM2.0×3.0 screw

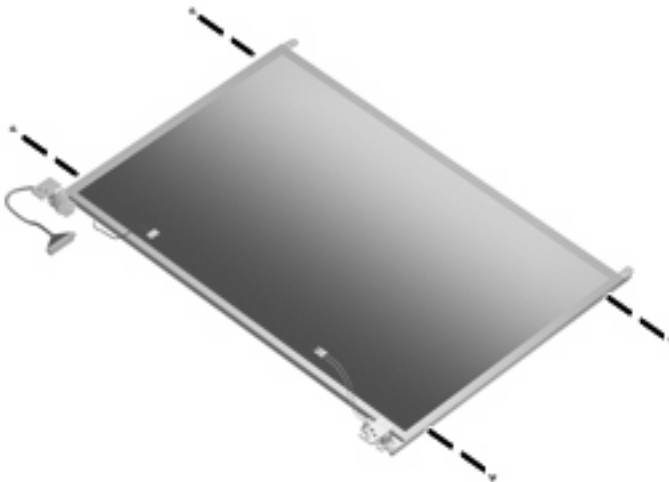


Color	Quantity	Length	Thread	Head width
Silver	9	3.0 mm	2.0 mm	4.5 mm

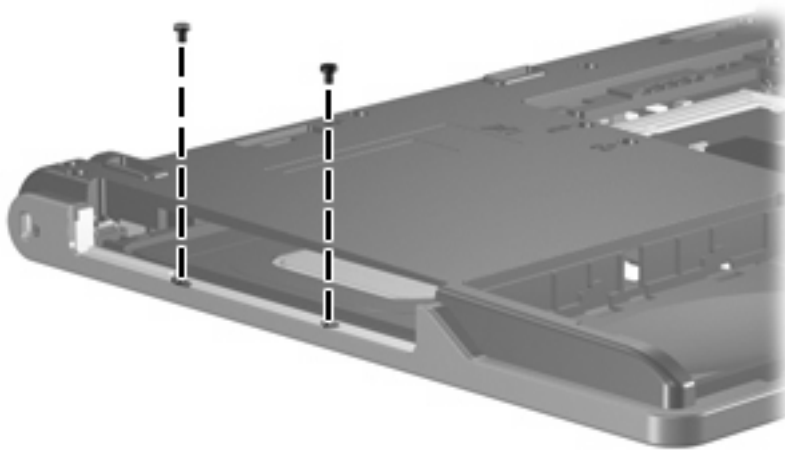
**Where used:** 2 screws that secure the optical drive bracket to the optical drive



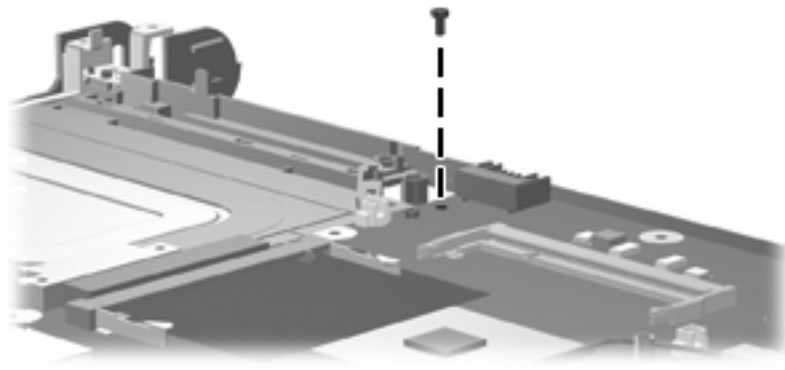
**Where used:** 4 screws that secure the display hinges to the display panel



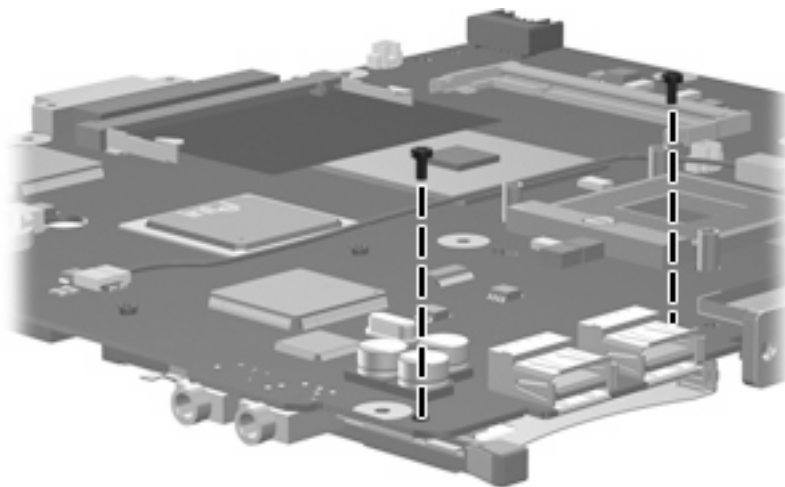
**Where used:** 2 screws that secure the base enclosure to the top cover



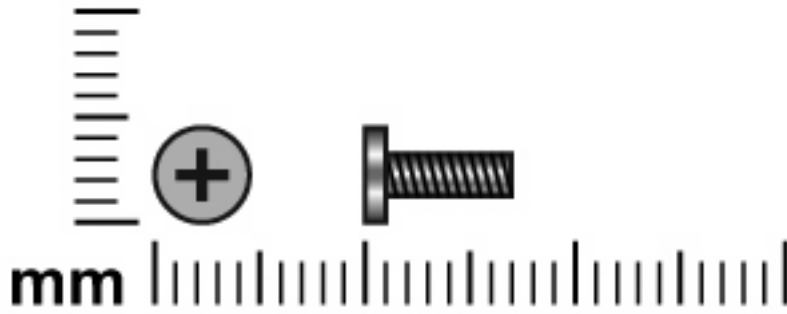
**Where used:** One screw that secures the system board to the base enclosure



**Where used:** 2 screws that secure the PC Card assembly to the system board

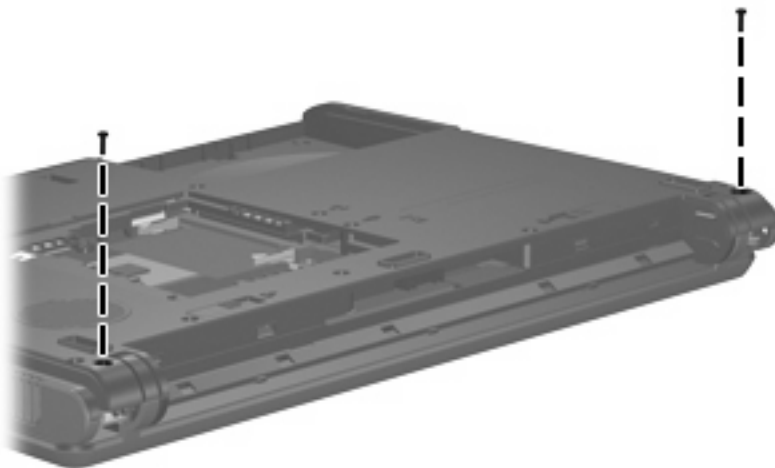


## Phillips PM2.0×7.0 screw

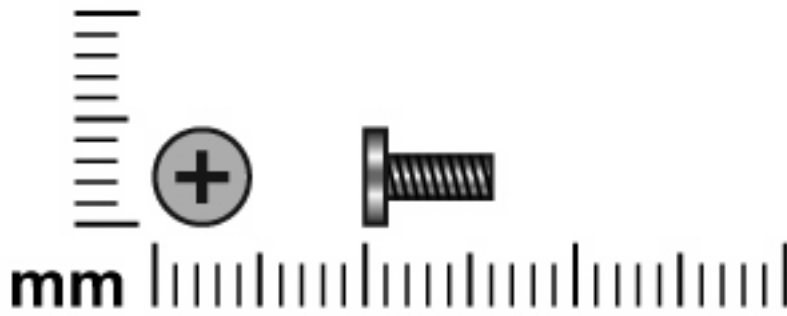


Color	Quantity	Length	Thread	Head width
Black	2	7.0 mm	2.0 mm	5.0 mm

**Where used:** 2 screws that secure the display assembly to the computer

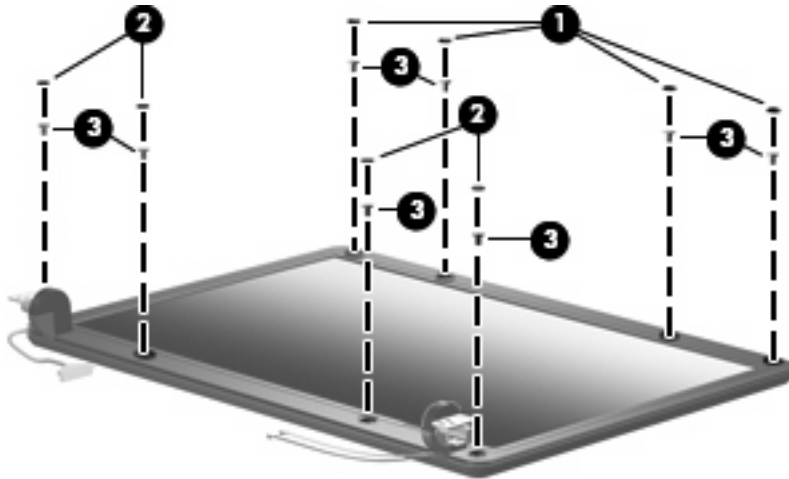


## Phillips PM2.5×6.0 screw



Color	Quantity	Length	Thread	Head width
Silver	17	6.0 mm	2.5 mm	5.0 mm

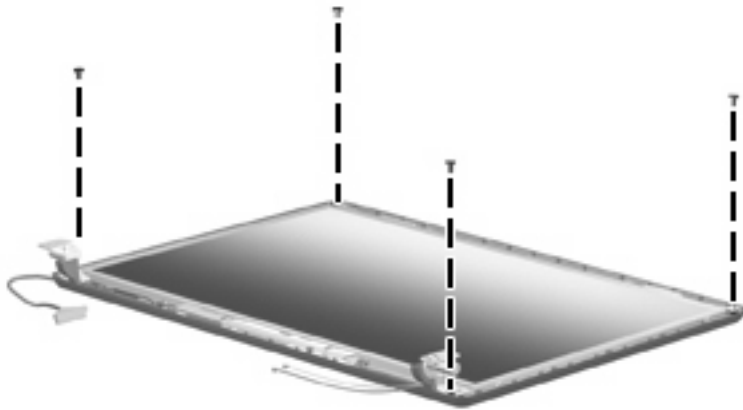
**Where used:** 8 screws that secure the display bezel to the display assembly



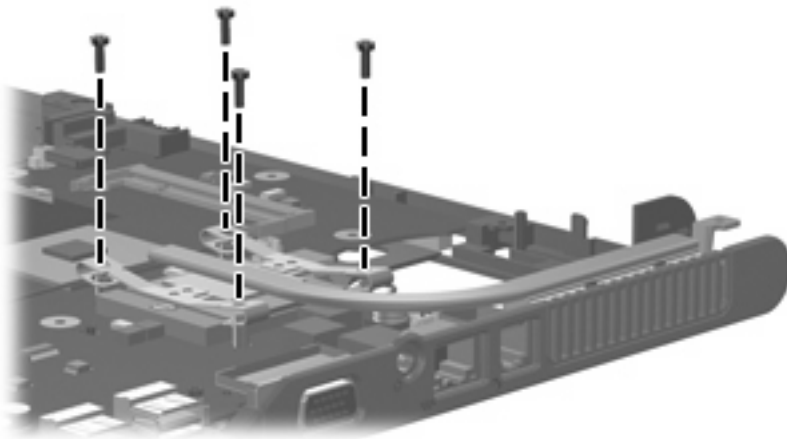
**Where used:** One screw that secures the display inverter to the display enclosure



**Where used:** 4 screws that secure the display panel to the display enclosure



**Where used:** 4 screws that secure the heat sink to the base enclosure



---

# 9 Backup and recovery

## Backup

HP Backup and Recovery Manager provides several ways to back up the system and to recover optimal system functionality.



---

**NOTE** HP installed drivers, utilities, and applications can be copied to a CD or to a DVD using HP Backup and Recovery Manager.

**NOTE** Formatted DVD±RW discs and DVD±RW double-layer discs are not compatible with HP Backup and Recovery Manager.

**NOTE** The computer must be connected to external power before you perform backup and recovery procedures.

---

## Safeguarding your data

To safeguard your documents, store personal files in the My Documents folder and periodically create a backup copy of the folder.

## Backing up the system

HP Backup and Recovery Manager can perform the following tasks:

- Backing up specific files and folders
- Backing up the entire hard drive
- Backing up modifications since your last backup, using HP system restore points
- Scheduling backups

## Backing up specific files or folders

You can back up specific files or folders to the hard drive, to an optional external hard drive, or to discs.



---

**NOTE** This process will take several minutes, depending on the file size and the speed of the computer.

---

To back up specific files or folders:

1. Select **Start > All Programs > HP Backup & Recovery > HP Backup and Recovery Manager**.
2. Click **Next**.



3. Click **Back up to protect system settings and important data files**, and then click **Next**.
4. Click **Back up individual files and folders**, and then click **Next**.
5. The Backup Wizard opens.
6. Click **Next**.
7. Click **Backup selected files from most common locations (Recommended)**.

- or -

Click **Advanced Backup (Experienced users)** to access advanced filtering techniques.

8. Click **Next**.
9. Follow the on-screen instructions.



---

**NOTE** If you are backing up your information onto a disc, you will be prompted to insert a blank disc into the optical drive.

---

## Backing up the entire hard drive

When you perform a complete backup of the hard drive, you are saving the full factory image, including the Windows operating system, software applications, and all personal files and folders.



---

**NOTE** A copy of the entire hard drive image can be stored on another hard drive, on a network drive, or on recovery discs that you create.

**NOTE** This process may take over an hour, depending on your computer speed and the amount of data being stored.

---

To back up your entire hard drive:

1. Select **Start > All Programs > HP Backup & Recovery > HP Backup and Recovery Manager**.
2. Click **Next**.
3. Click **Back up to protect system settings and important data files**, and then click **Next**.
4. Click **Back up entire hard drive**, and then click **Next**.
5. The “Back up entire hard disk” page opens.
6. Click **Next**.
7. Select the location for the backup files, and then click **Next**.
8. Select the **Protect data access with password** check box, and type your password in the **Password and Confirm** boxes.



---

**NOTE** This step is optional. If you do not want to password-protect your data access, clear the **Protect data access with password** check box.

---

9. Click **Next**.
10. Follow the on-screen instructions.

## Backing up modifications made to the system

When you back up modifications since your last backup, you are creating system recovery points. This allows you to save a snapshot of your hard drive at a specific point in time. You can then recover back to that point if you want to reverse subsequent changes made to your system.



---

**NOTE** The first system recovery point, a snapshot of the entire image, is automatically created the first time you perform a backup. Subsequent recovery points make a copy of changes made after that time.

---

HP recommends creating recovery points at these times:

- Before you add or extensively modify software or hardware
- Periodically, whenever the system is performing optimally



---

**NOTE** Recovering to an earlier recovery point does not affect data files or e-mails created since that recovery point.

---

After you create a recovery point, you are prompted to schedule subsequent recovery points. You can schedule recovery points for a specific time or event in your system.

To create and schedule a system recovery point:

1. Select **Start > All Programs > HP Backup & Recovery > HP Backup and Recovery Manager**.
2. Click **Next**.
3. Click **Back up to protect system settings and important data files**, and then click **Next**.
4. Click **Create or manage Recovery Points**, and then click **Next**.
5. Follow the on-screen instructions.

## Scheduling backups

To schedule backups:

1. Select **Start > All Programs > HP Backup & Recovery > HP Backup Scheduler**.
2. Click **Next**.
3. Schedule system recovery points at specific intervals (now, daily, weekly, or monthly) or at specific events, such as at system start or when you dock to an optional docking station (select models only), by clicking one of the available options. Click **Next** to further define the settings.
4. A summary of your system recovery point settings is displayed.
5. Follow the on-screen instructions.

## Recovery

HP Backup and Recovery Manager analyzes the hard drive and creates a dedicated hard drive recovery partition on the hard drive large enough to store a copy of the full factory image. You can choose whether you want to store that copy on the recovery partition, on another drive, or on external recovery discs.



---

**NOTE** Before using HP Backup and Recovery Manager, try repairing the system by running Windows System Restore. For more information, select **Start > Help and Support**, and then search for “System Restore.”

---

HP Backup and Recovery Manager performs these tasks:

- **Creating recovery discs (highly recommended)**—The recovery discs are used to start up your computer and to recover the full factory image (operating system and software) in case of system failure or instability.



---

**NOTE** If you do not have a CD or DVD burner, a copy of the entire hard drive image can be stored on another hard drive or on a network drive.

---

- **Performing a recovery**—You can perform a full system recovery or recover important files from the recovery partition on the hard drive, from another drive, or from recovery discs that you create.

## Creating recovery discs (highly recommended)

After setting up the computer for the first time, you can create a set of recovery discs of the full factory image, using Recovery Media Creator in the HP Backup and Recovery Manager. The recovery discs are used to start up (boot) the computer and recover the operating system and software to factory settings in case of system failure or instability.



---

**CAUTION** After you create the recovery discs, you can increase the amount of available space on the hard drive by deleting the recovery partition. However, doing this is not recommended. If you delete this partition, you will lose any information that is on the partition.

---



---

**NOTE** Only one set of recovery discs can be created for this computer.

---

Before creating recovery discs:

- Obtain high-quality CD-R, DVD-R, or DVD+R media, purchased separately.



---

**NOTE** Formatted DVD±RW discs and DVD±RW double-layer discs are not compatible with HP Backup and Recovery Manager.

---

- Number each disc before inserting it into the optical drive of the computer.
- If necessary, you can cancel Recovery Media Creator before you have finished creating the recovery discs. The next time you open Recovery Media Creator, you will be prompted to continue the disc creation process where you left off.

To create a set of recovery discs:

1. Select **Start > All Programs > HP Backup & Recovery > HP Backup and Recovery Manager**.
2. Click **Next**.
3. Click **Create factory software recovery CDs or DVDs to recover the system (Highly recommended)**, and then click **Next**.

The “Recovery Media Creator” page opens.

4. Click **Next**.

5. Click **Write to CD/DVD**, and then click **Next**.
6. Follow the on-screen instructions.

## Performing a recovery

### Performing a recovery from the recovery discs

Follow these steps to perform a recovery from the recovery discs:

1. Back up all personal files.
2. Insert the first recovery disc into the optical drive and restart the computer.
3. Follow the on-screen instructions.

### Performing a recovery from the hard drive

There are two ways to initiate a recovery from the hard drive:

- From within Windows.
- From the recovery partition.

### Initiating a recovery in Windows

To initiate a recovery in Windows, follow these steps:

1. Back up all personal files.
2. Select **Start > All Programs > HP Backup & Recovery > HP Backup and Recovery Manager**.
3. Click **Next**.
4. Click **Recover important files or the entire system**, and then click **Next**.
5. Click a recovery option, and then click **Next**.



---

**NOTE** If you choose to recover the system, the computer restarts and recovery begins.

---

6. Follow the on-screen instructions.

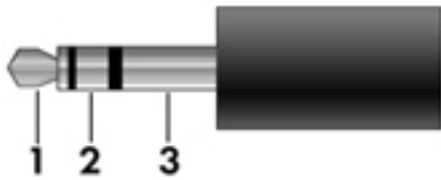
### Initiating a recovery from the hard drive recovery partition

To initiate a recovery from the hard drive recovery partition, follow these steps:

1. Back up all personal files.
2. Restart the computer, and then press **f11** before the Windows operating system loads.
3. Click a recovery option, and then click **Next**.
4. Follow the on-screen instructions.

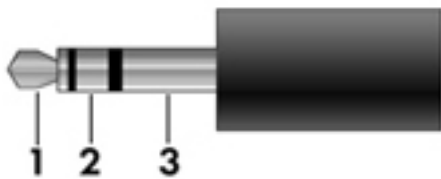
# 10 Connector pin assignments

## Audio-out (headphone)



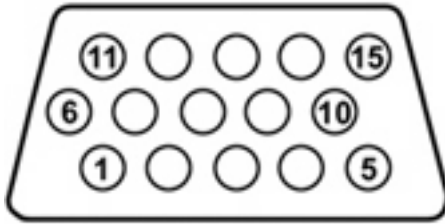
Pin	Signal
1	Audio out, left channel
2	Audio out, right channel
3	Ground

## Audio-in (microphone)



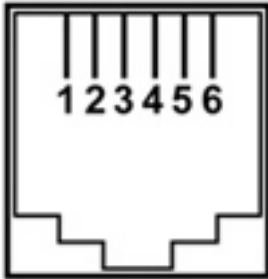
Pin	Signal
1	Audio signal in
2	Audio signal in
3	Ground

## External monitor



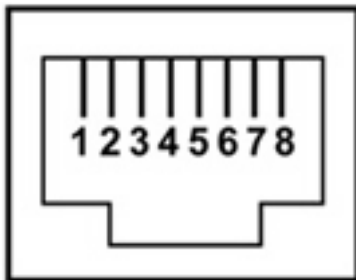
Pin	Signal
1	Red analog
2	Green analog
3	Blue analog
4	Not connected
5	Ground
6	Ground analog
7	Ground analog
8	Ground analog
9	+5 VDC
10	Ground
11	Monitor detect
12	DDC 2B data
13	Horizontal sync
14	Vertical sync
15	DDC 2B clock

## RJ-11 (modem)



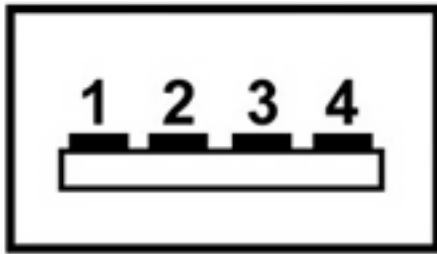
Pin	Signal
1	Unused
2	Tip
3	Ring
4	Unused
5	Unused
6	Unused

## RJ-45 (network)



Pin	Signal
1	Transmit +
2	Transmit -
3	Receive +
4	Unused
5	Unused
6	Receive -
7	Unused
8	Unused

# Universal Serial Bus



Pin	Signal
1	+5 VDC
2	Data -
3	Data +
4	Ground



---

# 11 Power cord set requirements

The wide range input feature of the computer permits it to operate from any line voltage from 100 to 120 or 220 to 240 volts AC.

The 3-conductor power cord set included with the computer meets the requirements for use in the country where the equipment is purchased.

Power cord sets for use in other countries must meet the requirements of the country where the computer is used.

## Requirements for all countries

The requirements listed below are applicable to all countries.

- The length of the power cord set must be at least 1.5 m (5.0 ft) and a maximum of 2.0 m (6.5 ft).
- All power cord sets must be approved by an acceptable accredited agency responsible for evaluation in the country where the power cord set will be used.
- The power cord sets must have a minimum current capacity of 10 amps and a nominal voltage rating of 125 or 250 V AC, as required by each country's power system.
- The appliance coupler must meet the mechanical configuration of an EN 60 320/IEC 320 Standard Sheet C13 connector for mating with the appliance inlet on the back of the computer.

## Requirements for specific countries

Country/region	Accredited agency	Applicable note number
Australia	EANSW	1
Austria	OVE	1
Belgium	CEBC	1
Canada	CSA	2
Denmark	DEMKO	1
Finland	FIMKO	1
France	UTE	1
Germany	VDE	1
Italy	IMQ	1
Japan	METI	3
Korea	EK	4
The Netherlands	KEMA	1
Norway	NEMKO	1
The People's Republic of China	CCC	5
Sweden	SEMKO	1
Switzerland	SEV	1
Taiwan	BSMI	4
The United Kingdom	BSI	1
The United States	UL	2

1. The flexible cord must be Type HO5VV-F, 3-conductor, 1.0 mm<sup>2</sup> conductor size. Power cord set fittings (appliance coupler and wall plug) must bear the certification mark of the agency responsible for evaluation in the country where it will be used.
2. The flexible cord must be Type SPT-3 or equivalent, No. 18 AWG, 3-conductor. The wall plug must be a two-pole grounding type with a NEMA 5-15P (15 A, 125 V) or NEMA 6-15P (15 A, 250 V) configuration.
3. The appliance coupler, flexible cord, and wall plug must bear a "T" mark and registration number in accordance with the Japanese Dentori Law. The flexible cord must be Type VCT or VCTF, 3-conductor, 1.00 mm<sup>2</sup> conductor size. The wall plug must be a two-pole grounding type with a Japanese Industrial Standard C8303 (7 A, 125 V) configuration.
4. The flexible cord must be Type RVV, 3-conductor, 0.75 mm<sup>2</sup> conductor size. Power cord set fittings (appliance coupler and wall plug) must bear the certification mark of the agency responsible for evaluation in the country where it will be used.
5. The flexible cord must be Type VCTF, 3-conductor, 0.75 mm<sup>2</sup> conductor size. Power cord set fittings (appliance coupler and wall plug) must bear the certification mark of the agency responsible for evaluation in the country where it will be used.

---

# 12 Recycling

## Battery

When a battery has reached the end of its useful life, do not dispose of the battery in general household waste. Follow the local laws and regulations in your area for computer battery disposal.

# Display



**WARNING!** The backlight contains mercury. Caution should be exercised when removing and handling the backlight to avoid damaging this component and causing exposure to the mercury.



**CAUTION** The procedures in this appendix can result in damage to display components. The only components intended for recycling purposes are the liquid crystal display (LCD) panel and the backlight. Careful handling should be exercised when removing these components.



**NOTE Materials Disposal.** This HP product contains mercury in the backlight in the display assembly that might require special handling at end-of-life. Disposal of mercury may be regulated because of environmental considerations. For disposal or recycling information, contact your local authorities or the Electronic Industries Alliance (EIA) at <http://www.eiae.org>.

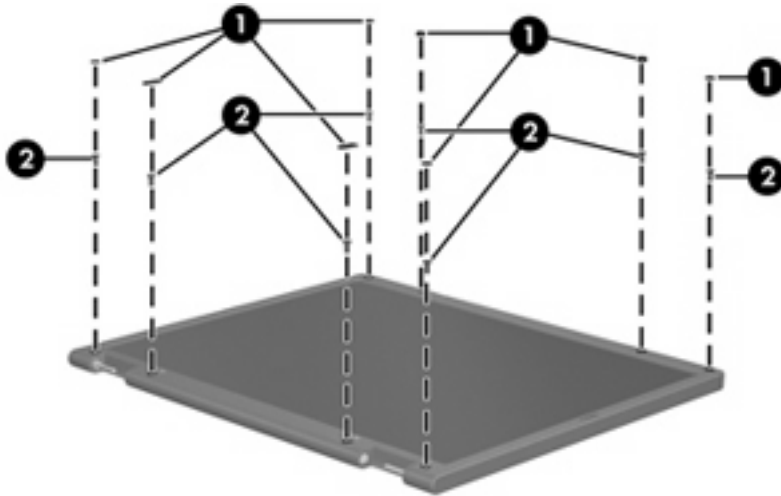
This section provides disassembly instructions for the display assembly. The display assembly must be disassembled to gain access to the backlight (1) and the liquid crystal display (LCD) panel (2).



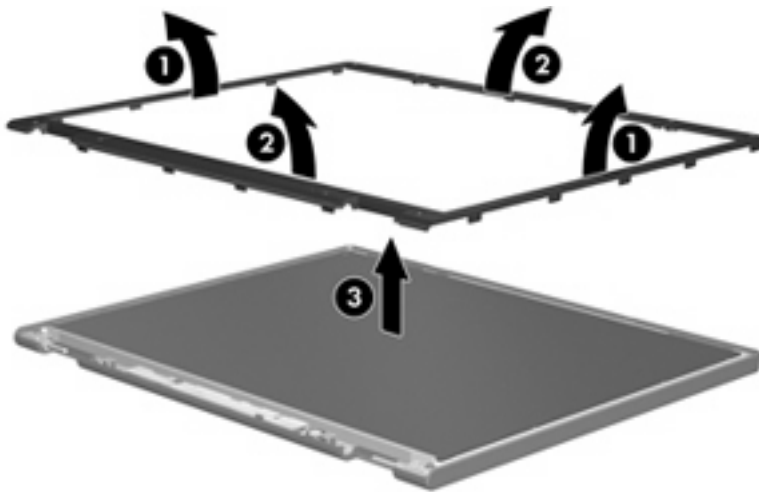
**NOTE** Disassembly procedures differ from one display assembly to another. The procedures provided in this appendix are general disassembly instructions. Specific details, such as screw sizes, quantities, and locations, and component shapes and sizes, can vary from one computer model to another.

Perform the following steps to disassemble the display assembly:

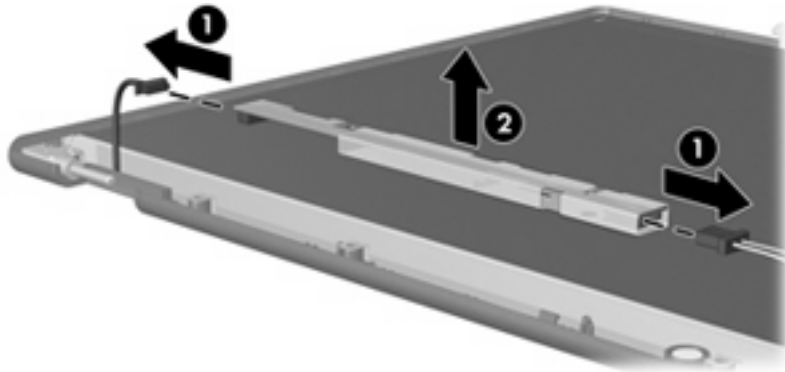
1. Remove all screw covers (1) and screws (2) that secure the display bezel to the display assembly.



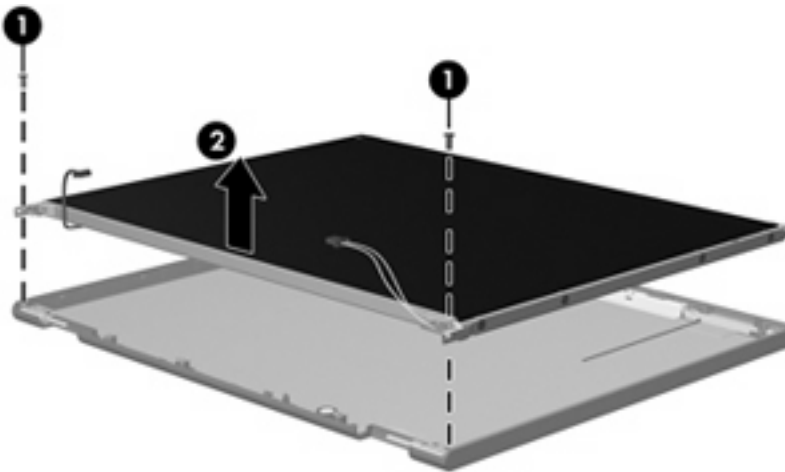
2. Lift up and out on the left and right inside edges (1) and the top and bottom inside edges (2) of the display bezel until the bezel disengages from the display assembly.
3. Remove the display bezel (3).



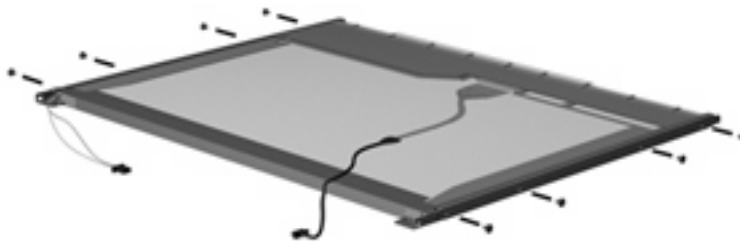
4. Disconnect all display panel cables (1) from the display inverter and remove the inverter (2).



5. Remove all screws (1) that secure the display panel assembly to the display enclosure.
6. Remove the display panel assembly (2) from the display enclosure.

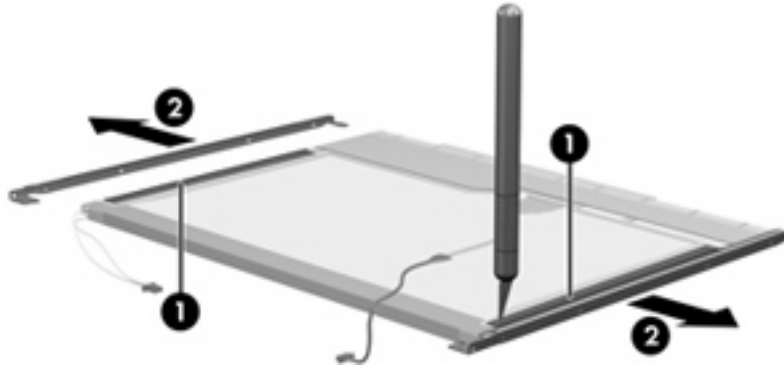


7. Turn the display panel assembly upside down.
8. Remove all screws that secure the display panel frame to the display panel.

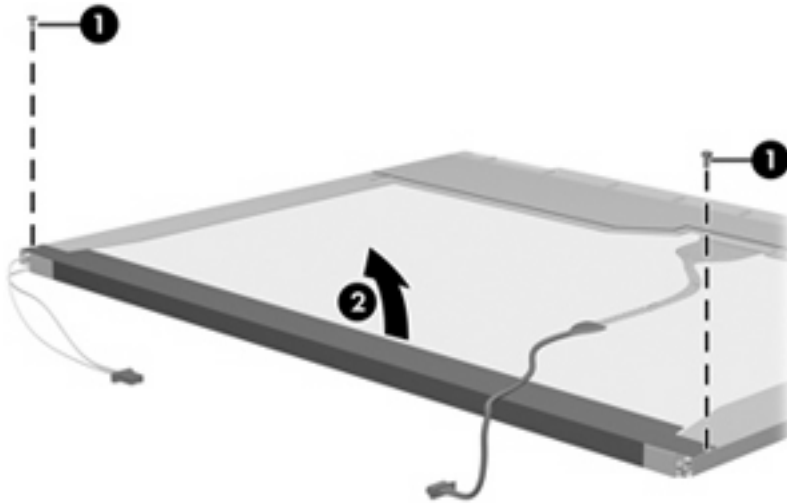


9. Use a sharp-edged tool to cut the tape (1) that secures the sides of the display panel to the display panel frame.

10. Remove the display panel frame (2) from the display panel.

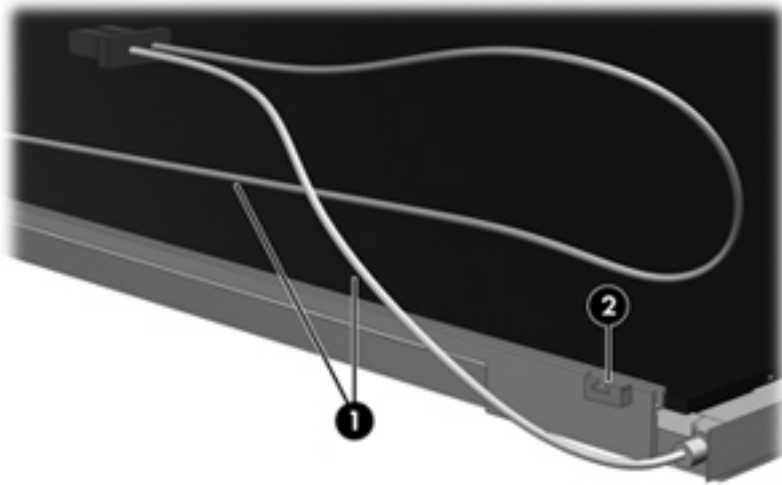


11. Remove the screws (1) that secure the backlight cover to the display panel.
12. Lift the top edge of the backlight cover (2) and swing it forward.

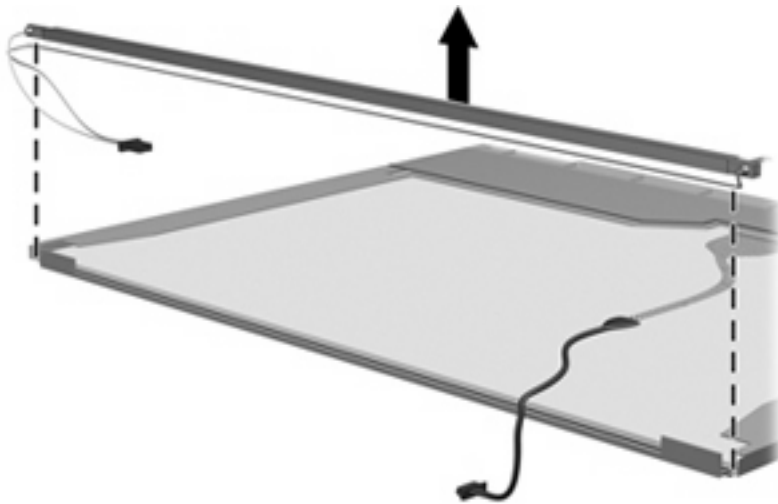


13. Remove the backlight cover.
14. Turn the display panel right-side up.


15. Remove the backlight cables (1) from the clip (2) in the display panel.



16. Turn the display panel upside down.
17. Remove the backlight frame from the display panel.



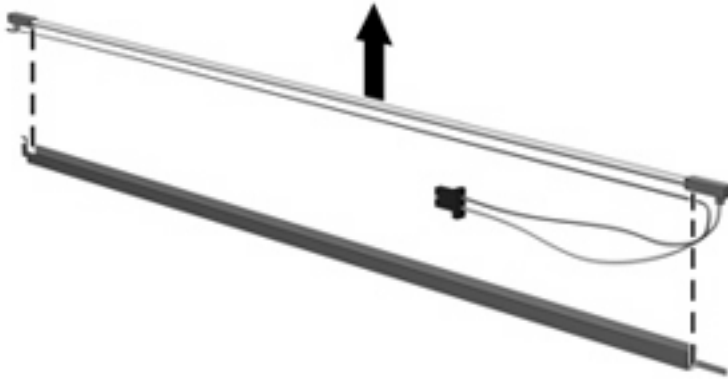
---

 **WARNING!** The backlight contains mercury. Caution should be exercised when removing and handling the backlight to avoid damaging this component and causing exposure to the mercury.

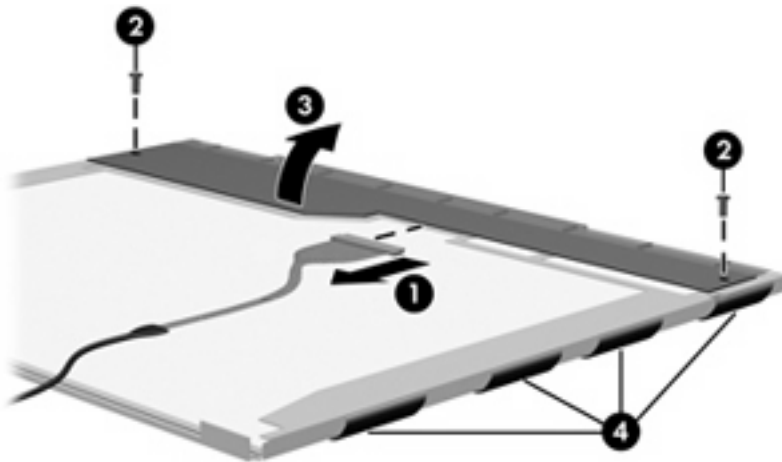
---



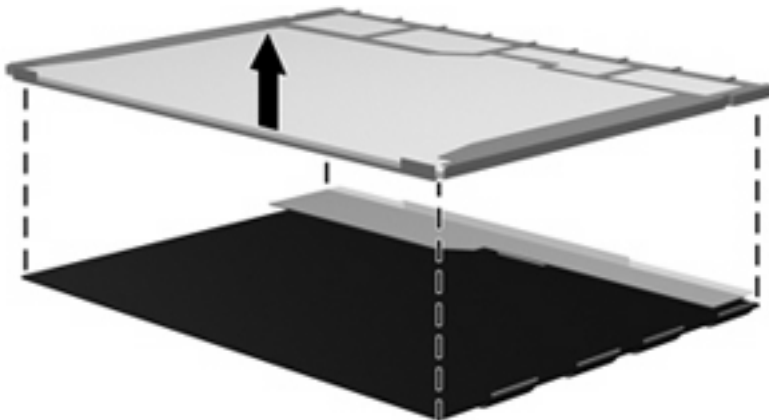
18. Slide the backlight out of the backlight frame.



19. Disconnect the display cable (1) from the LCD panel.  
20. Remove the screws (2) that secure the LCD panel to the display rear panel.  
21. Release the LCD panel (3) from the display rear panel.  
22. Release the tape (4) that secures the LCD panel to the display rear panel.



23. Remove the LCD panel.



24. Recycle the LCD panel and backlight.

---

# Index

## A

AC adapter, spare part  
number 19, 20  
antennae  
  disconnecting 34  
  illustrated 16  
  location 7  
  spare part number 16, 20  
applications key, Windows 5  
audio, product description 2  
audio-in jack  
  location 7  
  pin assignments 96  
audio-out jack  
  location 7  
  pin assignments 96

## B

backup 91  
base enclosure  
  removal 46  
  spare part number 15, 20,  
  46  
battery  
  removal 28  
  spare part number 15, 20,  
  28  
  specifications 72  
battery bay 10  
battery light 7  
battery release latch 10  
bezel  
  illustrated 16  
  removal 43  
  spare part numbers 16, 21,  
  43  
boot options 65  
boot order 65  
bottom components 10

## C

cables, service considerations 23  
caps lock light 6  
chipset, product description 1  
CMOS clearing 11  
components  
  bottom 10  
  front 4, 7  
  keyboard 5  
  left-side 9  
  right-side 8  
  top 6  
computer feet  
  locations 31  
  spare part number 15, 22,  
  31  
Computer Setup  
  accessing 62  
  Diagnostics menu 65  
  file menu 64  
  overview 62  
  restoring defaults 63  
  Security menu 64  
  System Configuration  
  menu 65  
computer specifications 67  
connector pin assignments  
  audio-in 96  
  audio-out 96  
  external monitor 97  
  headphone 96  
  microphone 96  
  modem 98  
  monitor 97  
  network 98  
  RJ-11 98  
  RJ-45 98  
Universal Serial Bus (USB) 99

connectors, service  
  considerations 23

## D

Diagnostics menu 65  
diskette drive  
  precautions 24  
  product description 2  
display assembly  
  removal 41  
  spare part numbers 13, 22,  
  41  
display bezel  
  illustrated 16  
  removal 43  
  spare part numbers 16, 21,  
  43  
Display Bezel Kit, spare part  
  numbers 21  
Display Bracket Kit, spare part  
  number 16  
Display Cable Kit, spare part  
  number 16, 21  
display component recycling 103  
display enclosure  
  illustrated 16  
  spare part numbers 16, 21  
display hinge  
  illustrated 16  
  spare part number 16, 21,  
  45  
Display Hinge Kit, spare part  
  number 16, 21, 45  
display inverter  
  illustrated 16  
  removal 44  
  spare part number 16, 21,  
  44  
Display Label Kit, spare part  
  number 21

display panel  
 illustrated 16  
 removal 44  
 spare part numbers 16, 21, 44  
 Display Screw Cover Kit, spare part number 16, 21  
 Display Screw Kit, spare part number 16, 21  
 display specifications 69, 70  
 display switch 6  
 docking support, product description 3  
 drives, boot order 65  
 drives, preventing damage 24  
 DVD±RW and CD-RW Super Multi Double-Layer Combo Drive  
 precautions 24  
 removal 35  
 spare part number 15, 18, 20, 35  
 specifications 73  
 DVD±RW/R and CD-RW Double-Layer Combo Drive  
 precautions 24  
 removal 35  
 spare part number 15, 18, 20, 35  
 specifications 74

**E**  
 electrostatic discharge 24  
 Ethernet, product description 2  
 Execution Disable 66  
 external media cards, product description 2  
 external monitor port  
 location 9  
 pin assignments 97

**F**  
 fan assembly  
 removal 49  
 spare part number 15, 21, 49  
 feet  
 locations 31  
 spare part number 15, 22, 31  
 File menu 64

front components 4, 7  
 function keys 5

**G**  
 graphics, product description 1  
 grounding equipment and methods 26

**H**  
 hard drive  
 precautions 24  
 product description 2  
 removal 29  
 spare part numbers 15, 18, 20, 29  
 specifications 71  
 hard drive bay 10  
 hard drive cover  
 illustrated 17  
 removal 29  
 hard drive test 65  
 headphone jack  
 location 7  
 pin assignments 96  
 heat sink  
 removal 50  
 spare part number 15, 21, 50  
 hinge  
 illustrated 16  
 removal 45  
 spare part number 16, 21, 45

**I**  
 I/O address specifications 77  
 Intel SpeedStep 66  
 interrupt specifications 76  
 inverter  
 illustrated 16  
 removal 44  
 spare part number 16, 21, 44

**K**  
 keyboard  
 product description 3  
 removal 39  
 spare part numbers 14, 21, 39  
 keyboard components 5

keypad keys 5  
 keys  
 esc 5  
 fn 5  
 function 5  
 Windows applications 5  
 Windows logo 5

**L**  
 label, spare part number 21  
 LAN Power Save 66  
 language, changing in Computer Setup 65  
 left-side components 9

**M**  
 mass storage devices, spare part numbers 18  
 memory check 65  
 memory map specifications 79  
 memory module  
 product description 1  
 removal 31  
 spare part numbers 15, 21, 31  
 memory module compartment 10  
 memory/Mini PCI card module cover  
 illustrated 17  
 removal 32  
 microphone jack  
 location 7  
 pin assignments 96  
 Mini PCI card module  
 removal 33  
 spare part numbers 15, 20, 33  
 model name 1  
 modem jack  
 location 9  
 pin assignments 98  
 modem module, product description 2  
 monitor port  
 location 9  
 pin assignments 97  
**N**  
 network jack  
 location 9  
 pin assignments 98

- O**
- operating system, product description 3
- optical drive
  - location 8
  - precautions 24
  - product description 2
  - removal 35
  - spare part numbers 15, 18, 35
  - specifications 73, 74
- optical drive bracket, removal 36
- P**
- packing guidelines 25
- panels, product description 1
- parallel port mode 66
- password clearing 11
- passwords 64
- PC Card assembly
  - removal 58
  - spare part number 14, 22, 58
- PC Card eject button 9
- PC Card slot 9
- PC Card slot bezel, spare part number 14, 21, 58
- plastic parts 23
- Plastics/Hardware Kit
  - contents 17
  - spare part number 14, 17, 22
- pointing devices 65
- pointing devices, product description 3
- ports, product description 2
- power button 6
- power connector 9
- power cord
  - set requirements 100
  - spare part numbers 19, 20
- power light 6
- power requirements, product description 3
- processor
  - product description 1
  - removal 53
  - spare part numbers 15, 22, 53
- product description
  - audio 2
  - chipset 1
  - diskette drive 2
  - docking support 3
  - Ethernet 2
  - external media cards 2
  - graphics 1
  - hard drives 2
  - keyboard 3
  - memory module 1
  - modem module 2
  - operating system 3
  - optical drives 2
  - panels 1
  - pointing devices 3
  - ports 2
  - power requirements 3
  - processors 1
  - product name 1
  - security 3
  - serviceability 3
  - wireless 2
- product name 1
- R**
- recovery 93
- recovery discs, creating 94
- removal/replacement
  - preliminaries 23
  - procedures 27
- restore defaults 63
- right-side components 8
- RJ-11 jack
  - location 9
  - pin assignments 98
- RJ-45 jack
  - location 9
  - pin assignments 98
- RTC battery
  - removal 48
  - spare part number 14, 22, 48
- Rubber Feet Kit, spare part number 15, 22, 31
- S**
- Screw Kit
  - contents 80
  - spare part number 19, 22
- screw listing 80
- security cable slot 8
- Security menu 64
- security, product description 3
- serial number 12, 27
- service considerations 23
- serviceability, product description 3
- setup utility
  - accessing 62
  - Diagnostics menu 65
  - File menu 64
  - restoring defaults 63
  - Security menu 64
  - System Configuration menu 65
- speaker
  - location 6
  - removal 55
  - spare part number 14, 22, 55
- specifications
  - battery 72
  - computer 67
  - display 69, 70
  - DVD±RW and CD-RW Super Multi Double-Layer Combo Drive 73
  - DVD±RW/R and CD-RW Double-Layer Combo Drive 74
  - hard drive 71
  - I/O addresses 77
  - interrupts 76
  - memory map 79
  - optical drive 73, 74
  - system DMA 75
- SpeedStep Technology 66
- static shielding materials 26
- switch cover
  - removal 37
  - spare part numbers 14, 22, 37
- system board
  - removal 56
  - spare part numbers 15, 20, 56
- system board, spare part numbers 20
- System Configuration menu 65

- system DMA 75
- system fan 66
- system information 64
- system memory map 79

## T

- thermal paste, replacement 52
- tools required 23
- top components 6
- top cover, spare part number 14, 20
- TouchPad 4
- TouchPad cable
  - removal 60
  - spare part number 60
- TouchPad cable, spare part number 14, 22
- TouchPad left button 4
- TouchPad right button 4
- TouchPad scroll zone 4
- transporting guidelines 25

## U

- Universal Serial Bus (USB) port
  - location 9
  - pin assignments 99
- unknown password 11
- USB legacy support 65

## V

- vents 9, 10

## W

- Windows applications key 5
- Windows logo key 5
- wireless antennae
  - disconnecting 34
  - illustrated 16
  - location 7
  - removal 46
  - spare part number 16, 20, 46
- wireless button 6
- wireless light 6
- wireless, product description 2
- workstation guidelines 25