



# *SERVICE MANUAL*

M720T / M730T / M728T / M729T

*notebook*



**Notebook Computer**

**M720T/M728T/M729T/M730T**

**Service Manual**

### Notice

The company reserves the right to revise this publication or to change its contents without notice. Information contained herein is for reference only and does not constitute a commitment on the part of the manufacturer or any subsequent vendor. They assume no responsibility or liability for any errors or inaccuracies that may appear in this publication nor are they in anyway responsible for any loss or damage resulting from the use (or misuse) of this publication.

This publication and any accompanying software may not, in whole or in part, be reproduced, translated, transmitted or reduced to any machine readable form without prior consent from the vendor, manufacturer or creators of this publication, except for copies kept by the user for backup purposes.

Brand and product names mentioned in this publication may or may not be copyrights and/or registered trademarks of their respective companies. They are mentioned for identification purposes only and are not intended as an endorsement of that product or its manufacturer.

Version 1.0  
July 2008

### Trademarks

**Intel**, **Celeron** and **Intel Core** are trademarks of Advanced Micro Devices, Inc.

**Windows**<sup>®</sup> is a registered trademark of Microsoft Corporation.

Other brand and product names are trademarks and./or registered trademarks of their respective companies.

## About this Manual

This manual is intended for service personnel who have completed sufficient training to undertake the maintenance and inspection of personal computers.

It is organized to allow you to look up basic information for servicing and/or upgrading components of the *M720T/M728T/M729T/M730T* series notebook PC.

The following information is included:

Chapter 1, Introduction, provides general information about the location of system elements and their specifications.

Chapter 2, Disassembly, provides step-by-step instructions for disassembling parts and subsystems and how to upgrade elements of the system.

Appendix A, Part Lists

Appendix B, Schematic Diagrams

### FCC Statement (Federal Communications Commission)

You are cautioned that changes or modifications not expressly approved by the party responsible for compliance could void the user's authority to operate the equipment.



#### Warning

Use only shielded cables to connect I/O devices to this equipment. You are cautioned that changes or modifications not expressly approved by the manufacturer for compliance with the above standards could void your authority to operate the equipment.

If your purchase option includes both **Wireless LAN** and **3.5G** modules, then the appropriate antennas will be installed. Note that in order to comply with FCC RF exposure compliance requirements, the antenna must not be co-located or operate in conjunction with any other antenna or transmitter.

This equipment has been tested and found to comply with the limits for a Class B digital device, pursuant to Part 15 of the FCC Rules. These limits are designed to provide reasonable protection against harmful interference in a residential installation. This equipment generates, uses and can radiate radio frequency energy and, if not installed and used in accordance with the instructions, may cause harmful interference to radio communications. However, there is no guarantee that interference will not occur in a particular installation. If this equipment does cause harmful interference to radio or television reception, which can be determined by turning the equipment off and on, the user is encouraged to try to correct the interference by one or more of the following measures:

- Re orient or relocate the receiving antenna.
- Increase the separation between the equipment and receiver.
- Connect the equipment into an outlet on a circuit different from that to which the receiver is connected.
- Consult the service representative or an experienced radio/TV technician for help.

#### Operation is subject to the following two conditions:

1. This device may not cause interference.  
And
2. This device must accept any interference, including interference that may cause undesired operation of the device.

#### FCC RF Radiation Exposure Statement:

1. This Transmitter must not be co-located or operating in conjunction with any other antenna or transmitter.
2. This equipment complies with FCC RF radiation exposure limits set forth for an uncontrolled environment. This equipment should be installed and operated with a minimum distance of 20 centimeters between the radiator and you body.

## IMPORTANT SAFETY INSTRUCTIONS

Follow basic safety precautions, including those listed below, to reduce the risk of fire, electric shock and injury to persons when using any electrical equipment:

1. Do not use this product near water, for example near a bath tub, wash bowl, kitchen sink or laundry tub, in a wet basement or near a swimming pool.
2. Avoid using a telephone (other than a cordless type) during an electrical storm. There may be a remote risk of electrical shock from lightning.
3. Do not use the telephone to report a gas leak in the vicinity of the leak.
4. Use only the power cord and batteries indicated in this manual. Do not dispose of batteries in a fire. They may explode. Check with local codes for possible special disposal instructions.
5. This product is intended to be supplied by a Listed Power Unit (DC Output 19V, 3.42A OR 18.5V, 3.5A (**65W**) minimum AC/DC Adapter).

## CAUTION

Always disconnect all telephone lines from the wall outlet before servicing or disassembling this equipment.

**TO REDUCE THE RISK OF FIRE, USE ONLY NO. 26 AWG OR LARGER,  
TELECOMMUNICATION LINE CORD**

**This Computer's Optical Device is a Laser Class 1 Product**



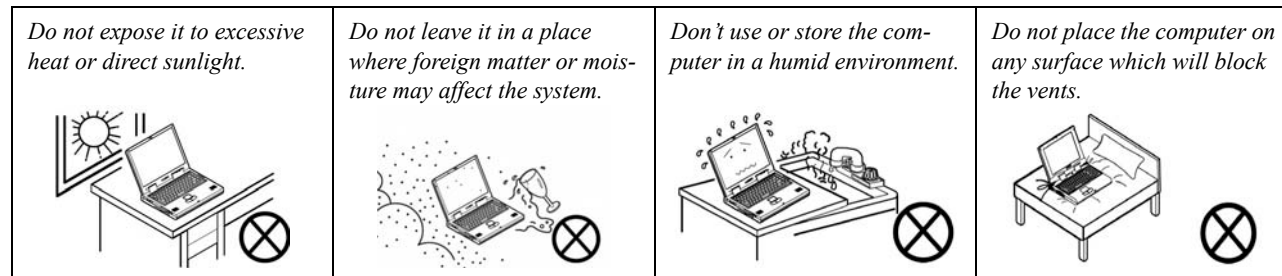
## Instructions for Care and Operation

The notebook computer is quite rugged, but it can be damaged. To prevent this, follow these suggestions:

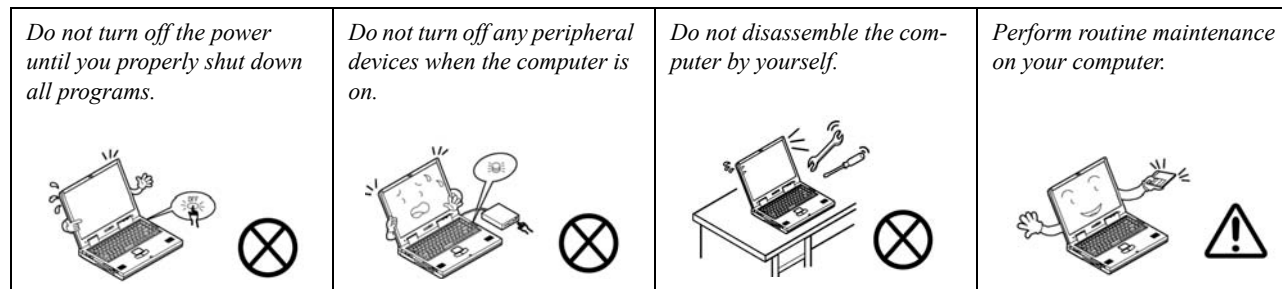
1. **Don't drop it, or expose it to shock.** If the computer falls, the case and the components could be damaged.



2. **Keep it dry, and don't overheat it.** Keep the computer and power supply away from any kind of heating element. This is an electrical appliance. If water or any other liquid gets into it, the computer could be badly damaged.

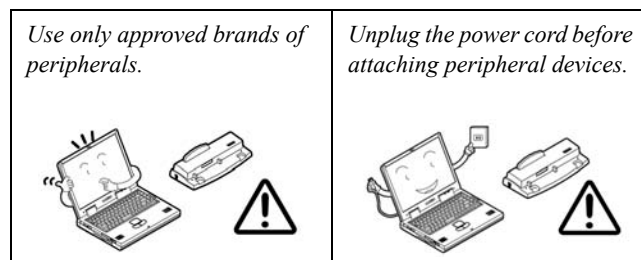


3. **Follow the proper working procedures for the computer.** Shut the computer down properly and don't forget to save your work. Remember to periodically save your data as data may be lost if the battery is depleted.





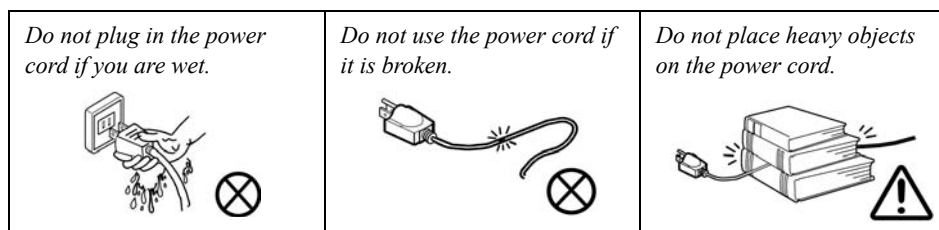
4. **Avoid interference.** Keep the computer away from high capacity transformers, electric motors, and other strong magnetic fields. These can hinder proper performance and damage your data.
5. **Take care when using peripheral devices.**




## Power Safety

The computer has specific power requirements:

- Only use a power adapter approved for use with this computer.
- Your AC adapter may be designed for international travel but it still requires a steady, uninterrupted power supply. If you are unsure of your local power specifications, consult your service representative or local power company.
- The power adapter may have either a 2-prong or a 3-prong grounded plug. The third prong is an important safety feature; do not defeat its purpose. If you do not have access to a compatible outlet, have a qualified electrician install one.
- When you want to unplug the power cord, be sure to disconnect it by the plug head, not by its wire.
- Make sure the socket and any extension cord(s) you use can support the total current load of all the connected devices.
- Before cleaning the computer, make sure it is disconnected from any external power supplies.





**Power Safety Warning**

Before you undertake any upgrade procedures, make sure that you have turned off the power, and disconnected all peripherals and cables (including telephone lines). It is advisable to also remove your battery in order to prevent accidentally turning the machine on.

### Battery Precautions

- Only use batteries designed for this computer. The wrong battery type may explode, leak or damage the computer.
- Do not remove any batteries from the computer while it is powered on.
- Do not continue to use a battery that has been dropped, or that appears damaged (e.g. bent or twisted) in any way. Even if the computer continues to work with a damaged battery in place, it may cause circuit damage, which may possibly result in fire.
- Recharge the batteries using the notebook's system. Incorrect recharging may make the battery explode.
- Do not try to repair a battery pack. Refer any battery pack repair or replacement to your service representative or qualified service personnel.
- Keep children away from, and promptly dispose of a damaged battery. Always dispose of batteries carefully. Batteries may explode or leak if exposed to fire, or improperly handled or discarded.
- Keep the battery away from metal appliances.
- Affix tape to the battery contacts before disposing of the battery.
- Do not touch the battery contacts with your hands or metal objects.



#### Battery Disposal

The product that you have purchased contains a rechargeable battery. The battery is recyclable. At the end of its useful life, under various state and local laws, it may be illegal to dispose of this battery into the municipal waste stream. Check with your local solid waste officials for details in your area for recycling options or proper disposal.

#### Caution

Danger of explosion if battery is incorrectly replaced. Replace only with the same or equivalent type recommended by the manufacturer. Discard used battery according to the manufacturer's instructions.

### Related Documents

You may also need to consult the following manual for additional information:

#### [User's Manual on CD](#)

This describes the notebook PC's features and the procedures for operating the computer and its ROM-based setup program. It also describes the installation and operation of the utility programs provided with the notebook PC.

## Contents

<b>Introduction .....</b>	<b>1-1</b>	Part List Illustration Location .....	A-2
Overview .....	1-1	Top with Fingerprint (M720T) .....	A-3
System Specifications .....	1-2	Top without Fingerprint (M720T) .....	A-4
.....	1-4	Bottom (M720T) .....	A-5
External Locator - Top View with LCD Panel Open .....	1-5	LCD (M720T) .....	A-6
External Locator - Front & Right side Views .....	1-6	HDD (M720T) .....	A-7
External Locator - Left Side & Rear View .....	1-7	COMBO (M720T) .....	A-8
External Locator - Bottom View .....	1-8	DVD-Dual Drive (M720T) .....	A-9
Mainboard Overview - Top (Key Parts) .....	1-9	Top with Fingerprint (M728T) .....	A-10
Mainboard Overview - Bottom (Key Parts) .....	1-10	Top without Fingerprint (M728T) .....	A-11
Mainboard Overview - Top (Connectors) .....	1-11	Bottom (M728T) .....	A-12
Mainboard Overview - Bottom (Connectors) .....	1-12	LCD (M728T) .....	A-13
<b>Disassembly .....</b>	<b>2-1</b>	HDD (M728T) .....	A-14
Overview .....	2-1	COMBO (M728T) .....	A-15
Maintenance Tools .....	2-2	DVD-Dual Drive (M728T) .....	A-16
Connections .....	2-2	Top with Fingerprint (M729T) .....	A-17
Maintenance Precautions .....	2-3	Top without Fingerprint (M729T) .....	A-18
Disassembly Steps .....	2-4	Bottom (M729T) .....	A-19
Removing the Battery .....	2-5	LCD (M729T) .....	A-20
Removing the Hard Disk Drive .....	2-6	HDD (M729T) .....	A-21
Removing the Optical (CD/DVD) Device .....	2-8	COMBO (M729T) .....	A-22
Removing the System Memory (RAM) .....	2-10	DVD-Dual Drive (M729T) .....	A-23
Removing the Inverter Board .....	2-12	Top with Fingerprint (M730T) .....	A-24
Removing the Processor .....	2-13	Top without Fingerprint (M730T) .....	A-25
Removing the Wireless LAN Module .....	2-15	Bottom (M730T) .....	A-26
Removing the Bluetooth Module .....	2-16	LCD (M730T) .....	A-27
Removing the Keyboard .....	2-17	HDD (M730T) .....	A-28
Removing the Modem .....	2-18	COMBO (M730T) .....	A-29
<b>Part Lists .....</b>	<b>A-1</b>	DVD-Dual Drive (M730T) .....	A-30
		<b>Schematic Diagrams.....</b>	<b>B-1</b>

## Preface

---


System Block Diagram .....	B-2	Multi I/O Board 1/2 .....	B-34
Intel Penryn (Socket-P) 1/2 .....	B-3	Multi I/O Board 2/2 .....	B-35
Intel Penryn (Socket-P) 2/2 .....	B-4	Finger Printer Board .....	B-36
Cantiga 1/6 - Host .....	B-5	Click Board .....	B-37
Cantiga 2/6 - VGA, CRT .....	B-6	M730T ODD Bridge Board .....	B-38
Cantiga 3/6 - DDR .....	B-7	M730T Audio Board .....	B-39
Cantiga 4/6 - Power .....	B-8	Power Sequence Diagram .....	B-40
Cantiga 5/6 - Power .....	B-9	Power Sequence v3.0 .....	B-41
Cantiga 6/6 - GND .....	B-10		
DDRII CHANNEL A .....	B-11		
DDRII CHANNEL B .....	B-12		
Panel, Inverter, CRT .....	B-13		
ICH9-M 1/5 - SATA .....	B-14		
ICH9-M 2/5 - PCIE, PCI, USB .....	B-15		
ICH9-M 3/5 - GPIO, PWR Management .....	B-16		
ICH9-M 4/5 - Power .....	B-17		
ICH9-M 5/5 - GND .....	B-18		
Clock Generator .....	B-19		
Multi I/O, ODD, CCD, BT, TPM .....	B-20		
New Card, Mini PCIE .....	B-21		
LED, FAN, TP, FP, USB .....	B-22		
JMB385 Card Reader .....	B-23		
PCI-E LAN RTL8111C .....	B-24		
Audio Codec ALC662 .....	B-25		
Audio AMP2056 .....	B-26		
KBC-ITE IT8512E .....	B-27		
System Power, LED BKLT .....	B-28		
Power VDD3, VDD5 .....	B-29		
Power 1.5VS, 1.05VS, 3.3V, 5V .....	B-30		
Power 1.8V, 0.9VSM .....	B-31		
Power VCORE .....	B-32		
Power AC-IN, Charger .....	B-33		

# Chapter 1: Introduction

## Overview

This manual covers the information you need to service or upgrade the *M720T/M728T/M729T/M730T* series notebook computer. Information about operating the computer (e.g. getting started, and the *Setup* utility) is in the *User's Manual*. Information about drivers (e.g. VGA & audio) is also found in *User's Manual*. That manual is shipped with the computer.


Operating systems (e.g. *Windows XP*, *Windows Vista*, etc.) have their own manuals as do application software (e.g. word processing and database programs). If you have questions about those programs, you should consult those manuals.

The *M720T/M728T/M729T/M730T* series notebook is designed to be upgradeable. See *“Disassembly” on page 2 - 1* for a detailed description of the upgrade procedures for each specific component. Please note the warning and safety information indicated by the “” symbol.

The balance of this chapter reviews the computer's technical specifications and features.

## System Specifications

Feature	Specification	
<b>Processor</b>	Intel® Core™2 Duo Processor 35W - (478-pin) Micro-FC-PGA Package - Socket-P <b>T9400/ T9600</b>	45nm (45 Nanometer) Process Technology 6MB On-die L2 Cache & 1006MHz FSB 2.53/ 2.8 GHz
	Intel® Core™2 Duo Processor 25W - (478-pin) Micro-FC-PGA Package - Socket-P <b>P8400/ P8600</b>	45nm (45 Nanometer) Process Technology 3MB On-die L2 Cache & 1006MHz FSB 2.4/ 2.53 GHz
<b>Core Logic</b>	Intel GM45 + ICH9M Chipset	
<b>LCD</b>	<b>M720T/M728T/M729T:</b> 12.1" WXGA (1280 * 800) TFT LCD	<b>M730T:</b> 13.3" WXGA (1280 * 800) TFT LCD
<b>Memory</b>	64-bit Wide <b>DDRII (DDR2)</b> Data Channel Supports Dual Channel <b>DDRII (DDR2)</b> SDRAM Two 200 Pin SO-DIMM Sockets Supporting <b>DDRII (DDR2) 667MHz/800MHz</b> RAM Modules Memory Expandable up to 4GB (1024/2048 MB <b>DDR2</b> Modules)	
<b>Video Adapter</b>	<b>Intel GM45 Integrated Video</b> High Preference 3D/2D Graphic Accelerator Supports Dynamic Video Memory Technology DVMT (up to <b>256MB</b> dynamically allocated from system memory where needed) Supports DirectX10 3D Graphics Engine Accelerator	
<b>Security</b>	Security (Kensington® Type) Lock Slot	BIOS Password
	Fingerprint ID Reader Module ( <b>Factory Option</b> )	Trusted Platform Module
<b>BIOS</b>	One 32Mb SPI Flash ROM	Phoenix™ BIOS
<b>Storage</b>	One Changeable 12.7mm(h) <b>SATA</b> (Serial) Optical Device (CD/DVD) Type Drive (see " <b>Optional</b> " on page 1 - 4) Easy Changeable 2.5" 9.5 mm (h) <b>SATA</b> (Serial) HDD	
<b>Audio</b>	High Definition Audio (HDA)	Direct Sound 3D™ Compatible
	Compliant with Microsoft UAA (Universal Audio Architecture)	2 * Built-In Speakers Built-In Microphone
<b>Keyboard &amp; Pointing Device</b>	Winkey Keyboard	Built-In TouchPad with Scrolling Function

Feature	Specification
<b>Interface</b>	Three USB 2.0 Ports One Headphone-Out Jack One Microphone-In Jack One S/PDIF Out Jack One Internal Microphone One RJ-11 Modem Jack One RJ-45 LAN Jack One DC-In Jack One External Monitor Port
<b>Card Reader</b>	Embedded 7-in-1 Card Reader (MS/ MS Pro/ SD/ Mini SD/ MMC/ RS MMC/ MS Duo) <b>Note:</b> MS Duo/ Mini SD/ RS MMC Cards require a PC adapter
<b>ExpressCard Slot</b>	One ExpressCard/34(54) Slot
<b>Communication</b> <b>*Note:</b> The <b>3.5G and Intel Turbo Memory Modules</b> cannot coexist. There is only one slot available for <b>either</b> of these <b>factory option</b> modules.	10M/ 100/ 1000Mb Base-TX Ethernet LAN Azalia 56K Modem V.90 & V.92 Compliant Intel® WiFi Link 5300 Series (3*3 - 802.11a/g/n) Wireless LAN Mini-Card Module ( <b>Option</b> ) Intel® WiFi Link 5100 Series (1*2 - 802.11a/g/n) Wireless LAN Mini-Card Module ( <b>Option</b> ) 3rd Party 802.11b/g Wireless LAN Mini-Card Module with USB interface ( <b>Option</b> ) Bluetooth 2.0 + EDR (Enhanced Data Rate) Module ( <b>Factory Option</b> ) 1.3M or 2.0M Pixel PC Camera Module with USB interface ( <b>Factory Option</b> ) <b>3.5G Module</b> (see sidebar): *UMTS/HSPDA-based 3.5G Mini-Card Module with USB Interface (Factory <b>Option</b> ) Quad-band GSM/GPRS (850 MHz, 900 MHz, 1800 MHz, 1900 MHz) UMTS WCDMA FDD (2100 MHz) <div style="text-align: center; border: 2px solid red; border-radius: 15px; padding: 10px; margin: 10px 0;">   <b>UMTS Modes</b>            Note that UMTS modes CAN NOT be used in North America.         </div>
<b>Power Management</b>	Supports ACPI 3.0 Supports Wake on LAN Supports Resume from Modem Ring
<b>Power</b>	Full Range AC/DC Adapter AC Input 100 - 240V, DC Output 50 - 60Hz, 19V, 3.42A or 18.5V, 3.5A ( <b>65 Watts</b> )
<b>Battery</b>	4 Cell Smart Lithium-Ion Battery Pack, 14.8V/2.4AH 8 Cell Smart Lithium-Ion Battery Pack, 14.8V/4.4AH ( <b>Option</b> )



## Introduction

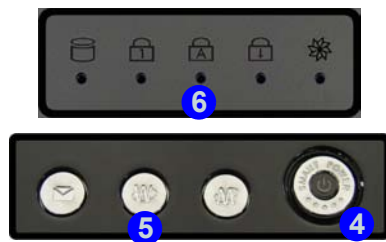
Feature	Specification	
<b>Environmental Spec</b>	Temperature Operating: 5°C - 35°C Non-Operating: -20°C - 60°C	Relative Humidity Operating: 20% - 80% Non-Operating: 10% - 90%
<b>Dimensions &amp; Weight</b>	<b><u>M720T/M728T/M729T:</u></b> 299mm (w) * 219mm (d) * 26.5-35.7mm (h) 1.88 kg With 4 Cell Battery and ODD	<b><u>M730T:</u></b> 310mm (w) * 233mm (d) * 30-36mm (h) 2.0 kg With 4 Cell Battery and ODD
<b>Optional</b>  *Note: The 3.5G and Intel Turbo Memory Modules cannot coexist. There is only one slot available for either of these factory option modules.	<b><u>Optical Drive Module Options:</u></b> SATA DVD/CD-RW Combo Drive Module SATA DVD Dual (Super Multi) Drive Module  Intel® WiFi Link 5300 Series (3*3 - 802.11a/g/n) Wireless LAN Mini-Card Module Intel® WiFi Link 5100 Series (1*2 - 802.11a/g/n) Wireless LAN Mini-Card Module 3rd Party 802.11b/g Wireless LAN Mini-Card Module with USB interface  8 Cell Smart Lithium-Ion Battery Pack  1.3M or 2.0M Pixel USB PC Camera Module ( <b>Factory Option</b> )  Bluetooth 2.0 + EDR (Enhanced Data Rate) Module ( <b>Factory Option</b> )	Fingerprint ID Reader Module ( <b>Factory Option</b> )  *Intel Turbo Memory (Robson) NAND Flash Memory Card Module ( <b>Factory Option</b> ) <b>OR</b> *UMTS/HSPDA-based 3.5G Module with Mini Card Interface ( <b>Factory Option</b> ) Quad-band GSM/GPRS (850 MHz, 900 MHz, 1800 MHz, 1900 MHz) UMTS WCDMA FDD (2100 MHz)



# External Locator - Top View with LCD Panel Open



M720T/M728T/M729T



M730T

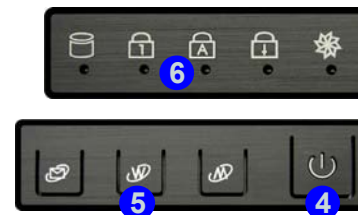


Figure 1  
Top View

1. Optional Built-In PC Camera
2. LCD
3. Speakers
4. Power Button
5. Hot Key Buttons
6. LED Status Indicators
7. Keyboard
8. Touchpad & Buttons
9. LED Power & Communication Indicators
10. Fingerprint (Optional)
11. Built-In Microphone

**\*Note:** This model may have either a fingerprint module or card reader module, depending on your purchase configuration.

## Introduction

### External Locator - Front & Right side Views

*Figure 2*

#### Front Views

1. LED Power & Communication Indicators
2. 7-in-1 Card Reader
3. S/PDIF-Out Jack
4. Microphone-In Jack
5. Headphone-Out Jack



*Figure 3*

#### Right Side Views

1. Optical Device Drive Bay
2. USB 2.0 Port
3. RJ-11 Phone Jack
4. Security Lock Slot



## External Locator - Left Side & Rear View



*Figure 4*  
**Left Side View**

1. DC-In Jack
2. RJ-45 LAN Jack
3. External Monitor Port
4. Vent/Fan Intake/Outlet
5. 2 \* USB 2.0 Ports
6. ExpressCard Slot

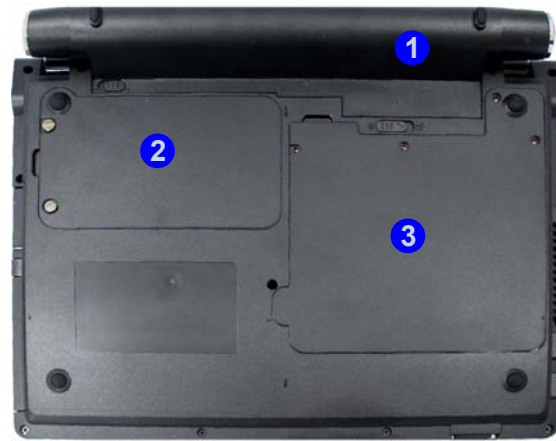
*Figure 5*  
**Rear View**

1. Battery

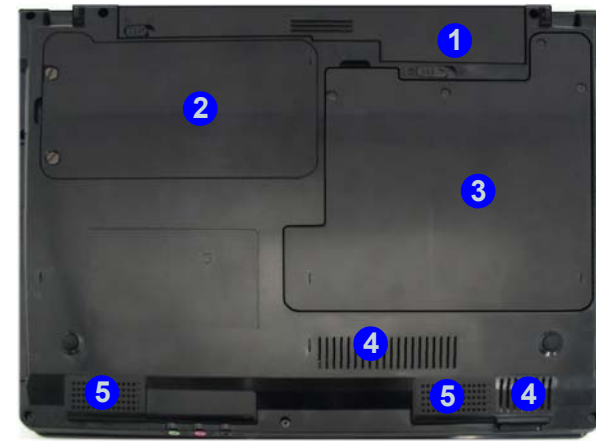
## External Locator - Bottom View

*Figure 6*  
**Bottom View**

1. Battery (M730T 8 Cell Battery Pictured)
2. Hard Disk Bay Cover (3.5G Module Location)
3. RAM & CPU Bay Cover
4. Vent/Fan Intake/Outlet (M730T Only)
5. Speakers (M730T Only)



M720T/M728T/M729T



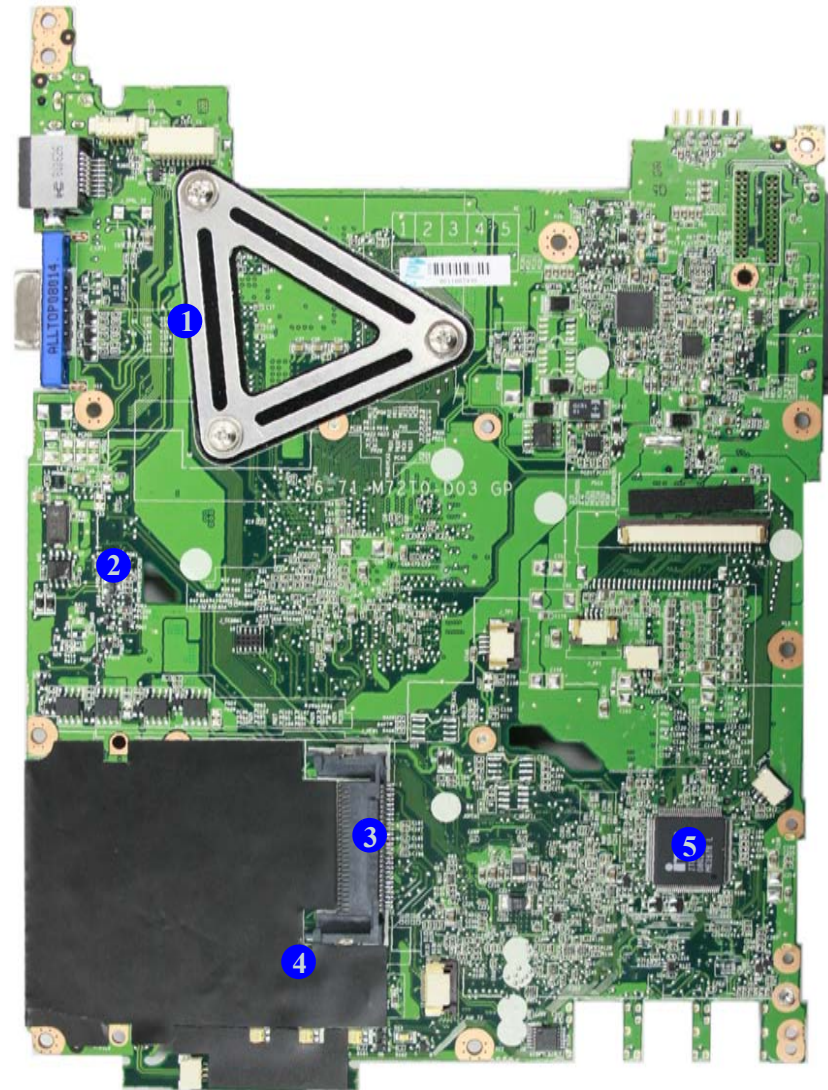
M730T



### Overheating

To prevent your computer from overheating make sure nothing blocks the vent/fan intakes while the computer is in use.

## Mainboard Overview - Top (Key Parts)



*Figure 7*  
**Mainboard Top  
Key Parts**

1. Transformer
2. VT6103L
3. ExpressCard Connector
4. ENE MR510
5. KBC ITE IT8512E

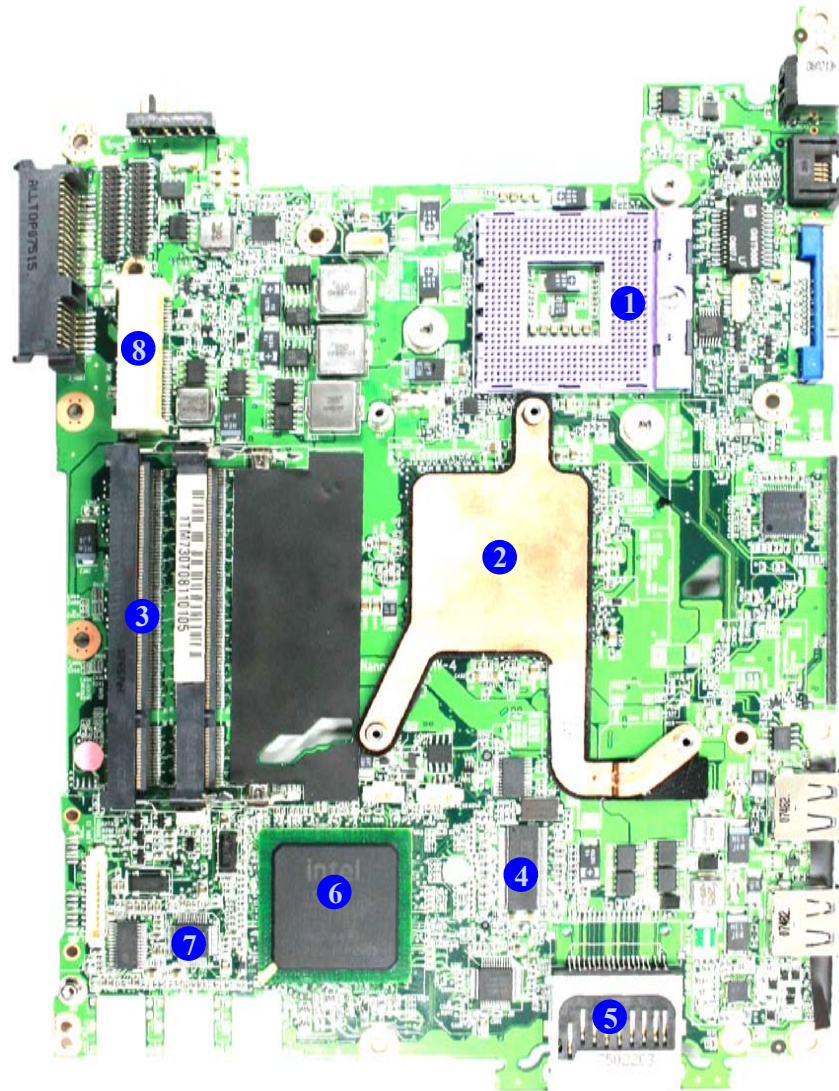


## Introduction

*Figure 8*  
**Mainboard Bottom  
Key Parts**

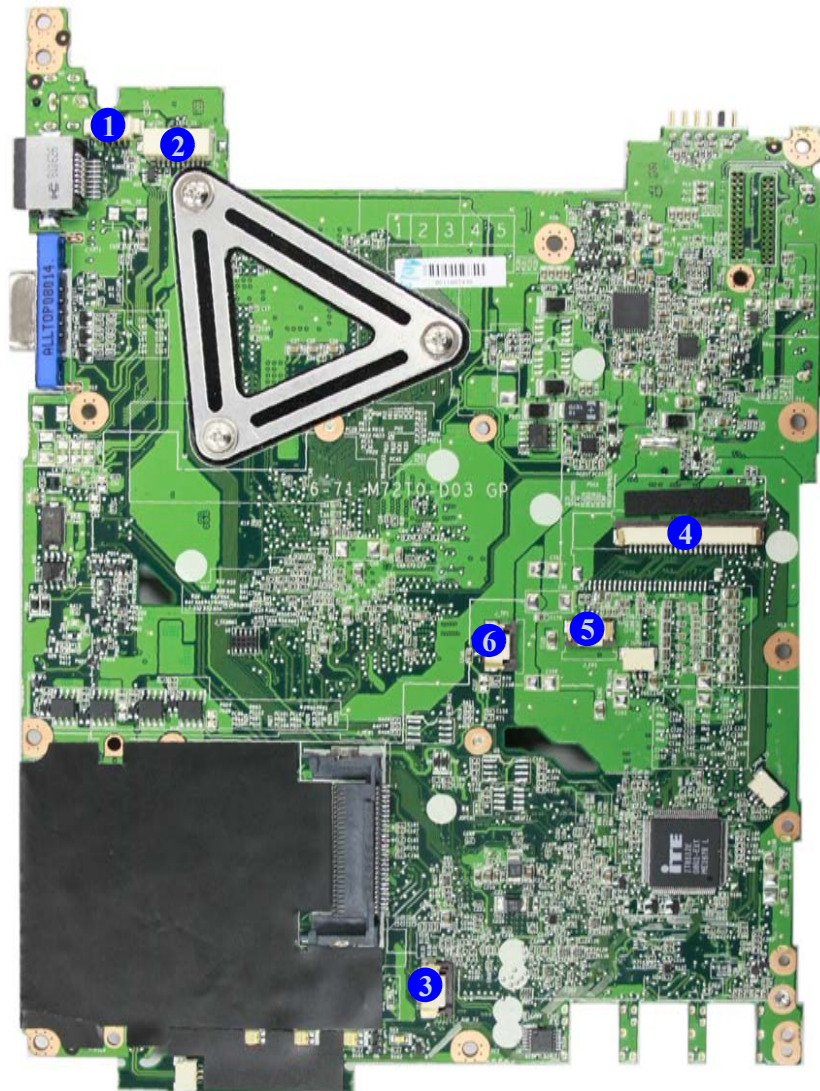
1. CPU Socket (no CPU installed)
2. Northbridge
3. Memory Slots  
DDR2 SO-DIMM
4. ICS
5. Card Reader  
Socket
6. Southbridge
7. Audio Codec
8. Mini-Card  
Connector (WLAN  
Module)

## Mainboard Overview - Bottom (Key Parts)





## Mainboard Overview - Top (Connectors)



*Figure 9*  
**Mainboard Top  
Connectors**

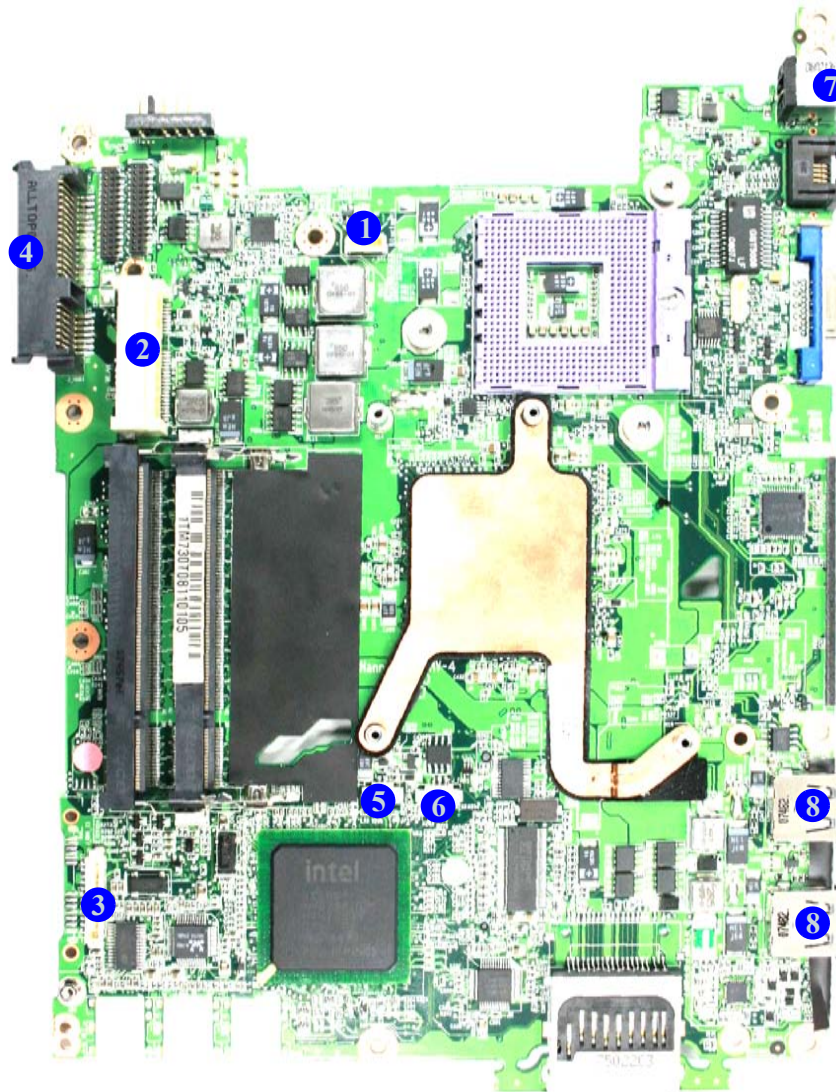
1. Hot-key Connector
2. LCD Cable Connector
3. Keyboard Cable Connector
4. Audio Board Connector
5. Microphone Cable Connector
6. TouchPad Cable Connector

## Introduction

*Figure 10*  
**Mainboard Bottom  
Connectors**

1. BT Cable Connector
2. Multi Board Connector
3. CD-ROM Connector
4. HDD Connector
5. CMOS Bat. Connector
6. CPU Fan Cable Connector
7. DC-In Jack
8. USB Port

## Mainboard Overview - Bottom (Connectors)




# Chapter 2: Disassembly



## Overview

This chapter provides step-by-step instructions for disassembling the *M720T/M728T/M729T/M730T* series notebook's parts and subsystems. When it comes to reassembly, reverse the procedures (unless otherwise indicated).

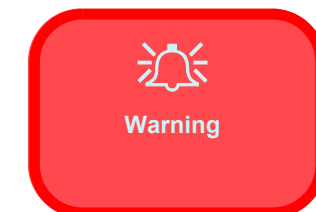
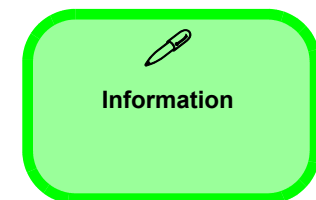
We suggest you completely review any procedure before you take the computer apart.

Procedures such as upgrading/replacing the RAM, optical device and hard disk are included in the User's Manual but are repeated here for your convenience.

To make the disassembly process easier each section may have a box in the page margin. Information contained under the figure # will give a synopsis of the sequence of procedures involved in the disassembly procedure. A box with a  lists the relevant parts you will have after the disassembly process is complete. **Note:** The parts listed will be for the disassembly procedure listed ONLY, and not any previous disassembly step(s) required. Refer to the part list for the previous disassembly procedure. The amount of screws you should be left with will be listed here also.

A box with a  will also provide any possible helpful information. A box with a  contains warnings.

An example of these types of boxes are shown in the sidebar.



## Disassembly

---

**NOTE:** All disassembly procedures assume that the system is turned **OFF**, and disconnected from any power supply (the battery is removed too).

### Maintenance Tools

The following tools are recommended when working on the notebook PC:

- M3 Philips-head screwdriver
- M2.5 Philips-head screwdriver (magnetized)
- M2 Philips-head screwdriver
- Small flat-head screwdriver
- Pair of needle-nose pliers
- Anti-static wrist-strap

### Connections

Connections within the computer are one of four types:

Locking collar sockets for ribbon connectors	To release these connectors, use a small flat-head screwdriver to gently pry the locking collar away from its base. When replacing the connection, make sure the connector is oriented in the same way. The pin1 side is usually not indicated.
Pressure sockets for multi-wire connectors	To release this connector type, grasp it at its head and gently rock it from side to side as you pull it out. Do not pull on the wires themselves. When replacing the connection, do not try to force it. The socket only fits one way.
Pressure sockets for ribbon connectors	To release these connectors, use a small pair of needle-nose pliers to gently lift the connector away from its socket. When replacing the connection, make sure the connector is oriented in the same way. The pin1 side is usually not indicated.
Board-to-board or multi-pin sockets	To separate the boards, gently rock them from side to side as you pull them apart. If the connection is very tight, use a small flat-head screwdriver - use just enough force to start.

## Maintenance Precautions

The following precautions are a reminder. To avoid personal injury or damage to the computer while performing a removal and/or replacement job, take the following precautions:

1. **Don't drop it.** Perform your repairs and/or upgrades on a stable surface. If the computer falls, the case and other components could be damaged.
2. **Don't overheat it.** Note the proximity of any heating elements. Keep the computer out of direct sunlight.
3. **Avoid interference.** Note the proximity of any high capacity transformers, electric motors, and other strong magnetic fields. These can hinder proper performance and damage components and/or data. You should also monitor the position of magnetized tools (i.e. screwdrivers).
4. **Keep it dry.** This is an electrical appliance. If water or any other liquid gets into it, the computer could be badly damaged.
5. **Be careful with power.** Avoid accidental shocks, discharges or explosions.
  - Before removing or servicing any part from the computer, turn the computer off and detach any power supplies.
  - When you want to unplug the power cord or any cable/wire, be sure to disconnect it by the plug head. Do not pull on the wire.
6. **Peripherals** – Turn off and detach any peripherals.
7. **Beware of static discharge.** ICs, such as the CPU and main support chips, are vulnerable to static electricity. Before handling any part in the computer, discharge any static electricity inside the computer. When handling a printed circuit board, do not use gloves or other materials which allow static electricity buildup. We suggest that you use an anti-static wrist strap instead.
8. **Beware of corrosion.** As you perform your job, avoid touching any connector leads. Even the cleanest hands produce oils which can attract corrosive elements.
9. **Keep your work environment clean.** Tobacco smoke, dust or other air-borne particulate matter is often attracted to charged surfaces, reducing performance.
10. **Keep track of the components.** When removing or replacing any part, be careful not to leave small parts, such as screws, loose inside the computer.

## Cleaning

Do not apply cleaner directly to the computer, use a soft clean cloth.

Do not use volatile (petroleum distillates) or abrasive cleaners on any part of the computer.



### Power Safety Warning

Before you undertake any upgrade procedures, make sure that you have turned off the power, and disconnected all peripherals and cables (including telephone lines). It is advisable to also remove your battery in order to prevent accidentally turning the machine on.



### Disassembly Steps

The following table lists the disassembly steps, and on which page to find the related information. **PLEASE PERFORM THE DISASSEMBLY STEPS IN THE ORDER INDICATED.**

#### To remove the Battery:

1. Remove the battery [page 2 - 5](#)

#### To remove the HDD:

1. Remove the battery [page 2 - 5](#)
2. Remove the HDD [page 2 - 6](#)

#### To remove the Optical Device:

1. Remove the battery [page 2 - 5](#)
2. Remove the Optical device [page 2 - 8](#)

#### To remove the System Memory:

1. Remove the battery [page 2 - 5](#)
2. Remove the system memory [page 2 - 10](#)

#### To remove the Inverter Board:

1. Remove the battery [page 2 - 5](#)
2. Remove the inverter board [page 2 - 12](#)

#### To remove and install a Processor:

1. Remove the battery [page 2 - 5](#)
2. Remove the processor [page 2 - 13](#)

#### To remove the Wireless LAN Module:

1. Remove the battery [page 2 - 5](#)
2. Remove the wireless LAN [page 2 - 15](#)

#### To remove the Bluetooth Module:

1. Remove the battery [page 2 - 5](#)
2. Remove the Bluetooth [page 2 - 16](#)

#### To remove the Keyboard:

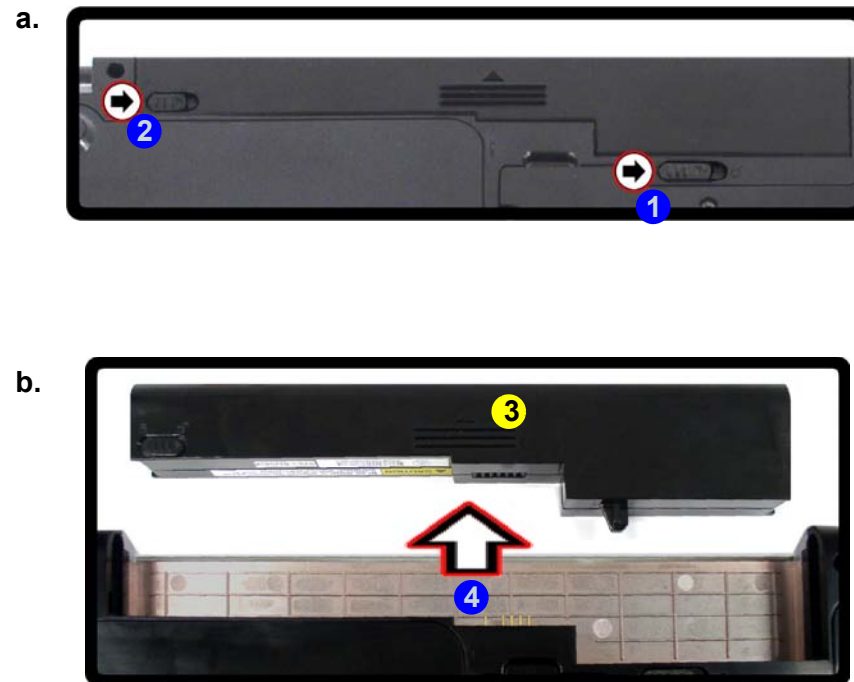
1. Remove the battery [page 2 - 5](#)
2. Remove the keyboard [page 2 - 17](#)

#### To remove the Modem:

1. Remove the battery [page 2 - 5](#)
2. Remove the HDD [page 2 - 6](#)
3. Remove the system memory [page 2 - 10](#)
4. Remove the Optical device [page 2 - 8](#)
5. Remove the processor [page 2 - 13](#)
6. Remove the keyboard [page 2 - 17](#)
7. Remove the modem [page 2 - 18](#)

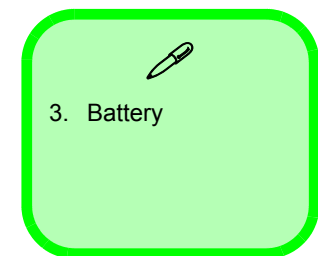
## Removing the Battery

1. Turn the computer **off**, and turn it over.
2. Slide the latch **1** in the direction of the arrow.
3. Slide the latch **2** in the direction of the arrow, and hold it in place.
4. Slide the battery **3** in the direction of the arrow **4**.



*Figure 1*  
**Battery Removal**

- a. Slide the latch and hold in place.
- b. Slide the battery in the direction of the arrow.





## Disassembly

### Figure 2 HDD Assembly Removal

- a. Locate the HDD bay cover and remove the screw(s).

## Removing the Hard Disk Drive

The hard disk drive can be taken out to accommodate other 2.5" serial (SATA) hard disk drives with a height of 9.5mm (h). Follow your operating system's installation instructions, and install all necessary drivers and utilities (as outlined in **Chapter 4 of the User's Manual**) when setting up a new hard disk.

### Hard Disk Upgrade Process

1. Turn **off** the computer, and remove the battery ([page 2 - 5](#)).
2. Locate the hard disk bay cover and remove screw **1** & **2**.

a.



#### Note:

Only one model is pictured here, however the component locations are the same for both models.



- 2 Screws



#### HDD System Warning

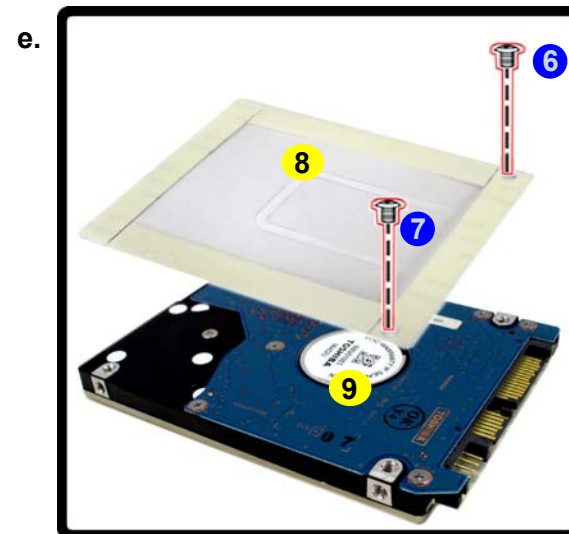
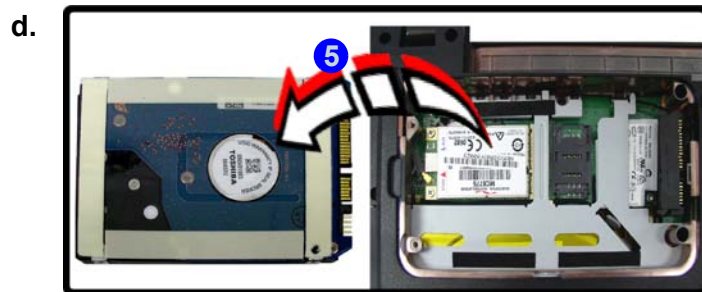
New HDD's are blank. Before you begin make sure:

You have backed up any data you want to keep from your old HDD.

You have all the CD-ROMs and FDDs required to install your operating system and programs.

If you have access to the internet, download the latest application and hardware driver updates for the operating system you plan to install. Copy these to a removable medium.

3. Remove the hard disk bay cover **3**.
4. Grip the tab and slide the hard disk in the direction of arrow **4**.
5. Lift the hard disk out of the bay **5**.
6. Remove the screw **6** & **7** and the adhesive cover **8** from the hard disk **9**.
7. Reverse the process to install a new hard disk (do not forget to replace all the screws and covers).



*Figure 3*  
**HDD Assembly  
Removal (cont'd.)**

- b. Remove the HDD bay cover.
- c. Grip the tab and slide the HDD in the direction of the arrow.
- d. Lift the HDD assembly out of the bay.
- e. Remove the screw and adhesive cover.

- 3. HDD Bay Cover
- 7. Adhesive Cover
- 8. HDD
- 2 Screws

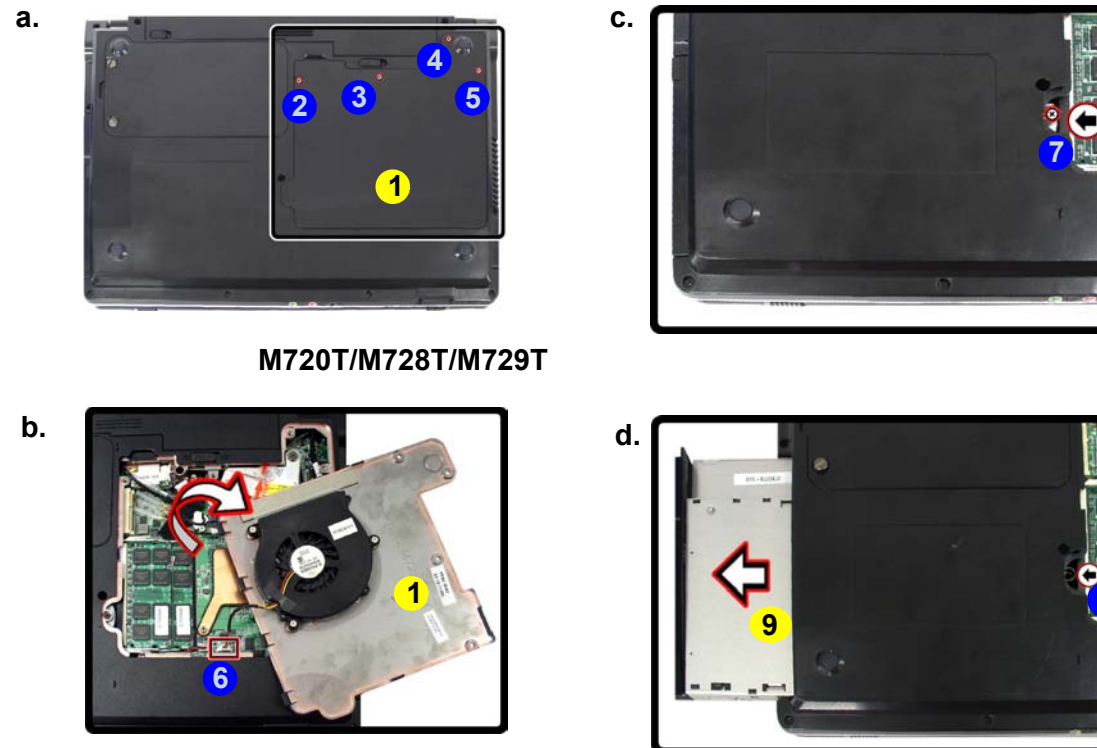
## Disassembly

Figure 4  
Optical Device  
Removal

- Remove the screws.
- Disconnect the fan cable and remove the cover.
- Remove the screw.
- Push the optical device out off the computer at point 8.

## Removing the Optical (CD/DVD) Device

- Turn **off** the computer, and remove the battery ([page 2 - 5](#)).
- M720T/M728T/M729T: (see over for M730T)** Locate the component bay cover **1** and remove screws **2** - **5**.
- Carefully (**a fan and cable are attached to the under side of the cover**) lift up the bay cover.
- Carefully disconnect the fan cable **6**, and remove the cover **1**.
- Remove the screw at point **7**, and use a screwdriver to carefully push out the optical device **9** at point **8**.
- Insert the new device and carefully slide it into the computer (the device only fits one way. **DO NOT FORCE IT**; The screw holes should line up).
- Restart the computer to allow it to automatically detect the new device.



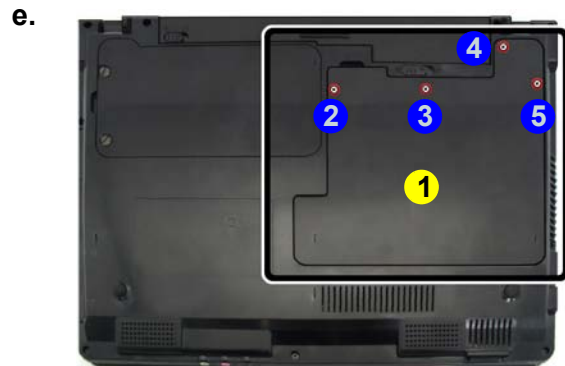
- Component Bay Cover
- Optical Device

- 5 Screws

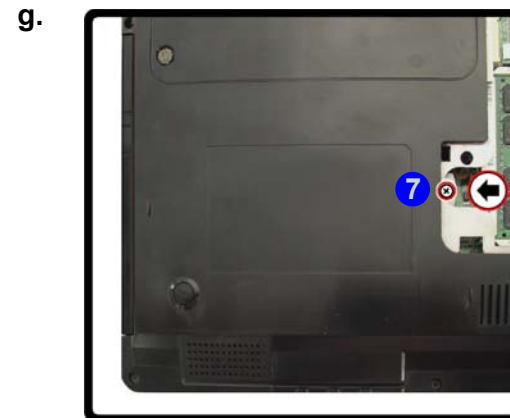
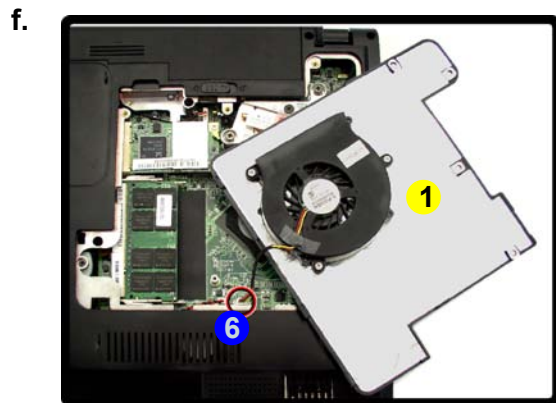
8. **M730T:** Locate the component bay cover **1** and remove screws **2** & **5**.
9. Carefully (**a fan and cable are attached to the under side of the cover**) lift up the bay cover.
10. Carefully disconnect the fan cable **6** and remove the bay cover **1**.
11. Remove the screw at point **7**, and use a screwdriver to carefully push out the optical device **9** at point **8**.
12. Insert the new device and carefully slide it into the computer (the device only fits one way. **DO NOT FORCE IT**; The screw holes should line up).
13. Restart the computer to allow it to automatically detect the new device.


*Figure 5*  
**Optical Device Removal (cont'd.)**

- e. Remove the screws.
- f. Disconnect the fan cable and remove the cover.
- g. Remove the screw.
- h. Push the optical device out off the computer at point 8.



**M730T**





- 1. HDD Bay Cover
- 8. Optical Device
- 4 Screws

Figure 6  
RAM Module  
Removal

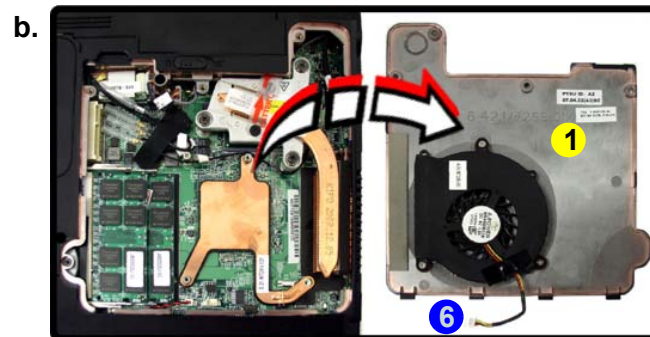
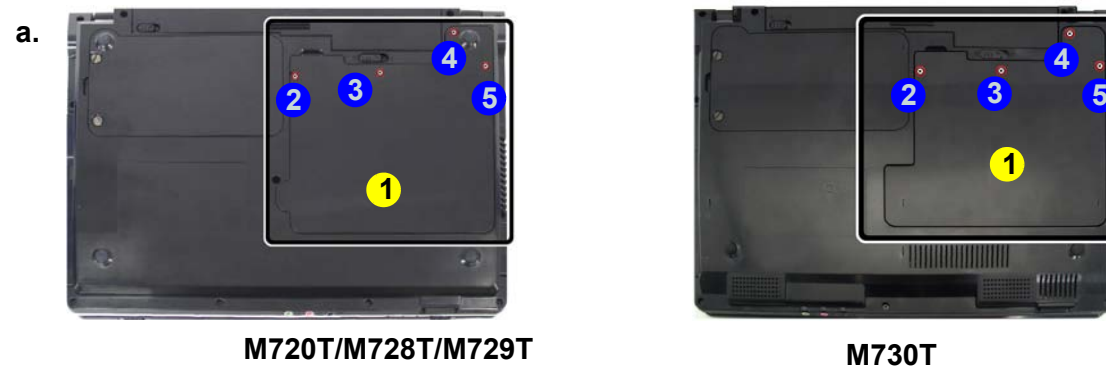
- Remove the screws.
- Remove the cover.

## Removing the System Memory (RAM)

The computer has two memory sockets for 200 pin Small Outline Dual In-line Memory Modules (SO-DIMM) supporting **DDR2** 667/800MHz. The main memory can be expanded up to 4GB. The SO-DIMM modules supported are 1024MB, and 2048MB and **DDRII** Modules. The total memory size is automatically detected by the POST routine once you turn on your computer.

### Memory Upgrade Process

- Turn **off** the computer, remove the battery ([page 2 - 5](#)).
- Locate the component bay cover **1**, and remove screws **2 - 5**.
- Carefully (**a fan and cable are attached to the under side of the cover**) lift up the bay cover.
- Carefully disconnect the fan cable **6**, and remove the cover **1**.



#### Note:

Only one model is pictured here, however the component locations are the same for both models.



#### Contact Warning

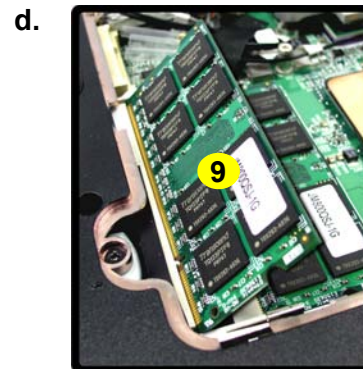
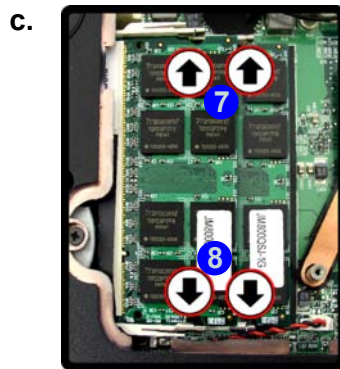
Be careful not to touch the metal pins on the module's connecting edge. Even the cleanest hands have oils which can attract particles, and degrade the module's performance.



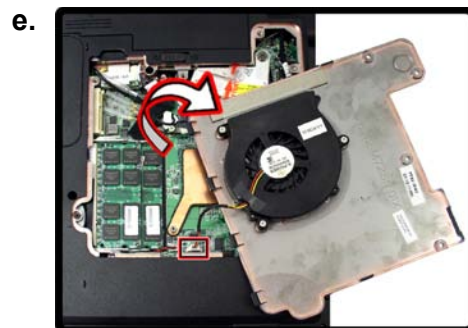
- Component Bay Cover
- 3 Screws



- Gently pull the two release latches (7 & 8) on the sides of the memory socket in the direction indicated by the arrows (Figure 7c).



- The RAM module(s) 9 will pop-up (Figure 7d), and you can then remove it.
- Pull the latches to release the second module if necessary.
- Insert a new module holding it at about a 30° angle and fit the connectors firmly into the memory slot.
- The module's pin alignment will allow it to only fit one way. Make sure the module is seated as far into the slot as it will go. **DO NOT FORCE** the module; it should fit without much pressure.
- Press the module in and down towards the mainboard until the slot levers click into place to secure the module.
- Replace the bay cover and screws (**make sure you reconnect the fan cable before screwing down the bay cover**).



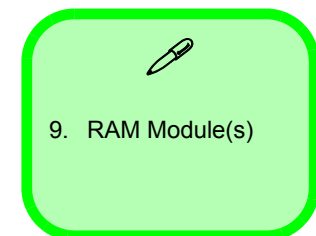
**Note:**

Only one model is pictured here, however the component locations are the same for both models.

- Restart the computer to allow the BIOS to register the new memory configuration as it starts up.

*Figure 7*  
**RAM Module Removal (cont'd.)**

- Pull the release latch(es).
- Remove the module(s).



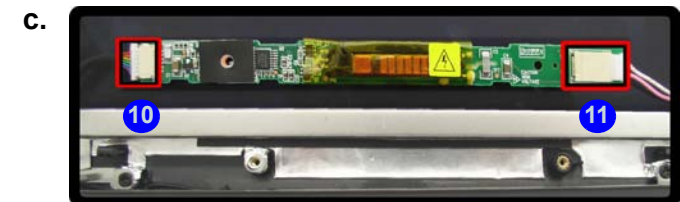
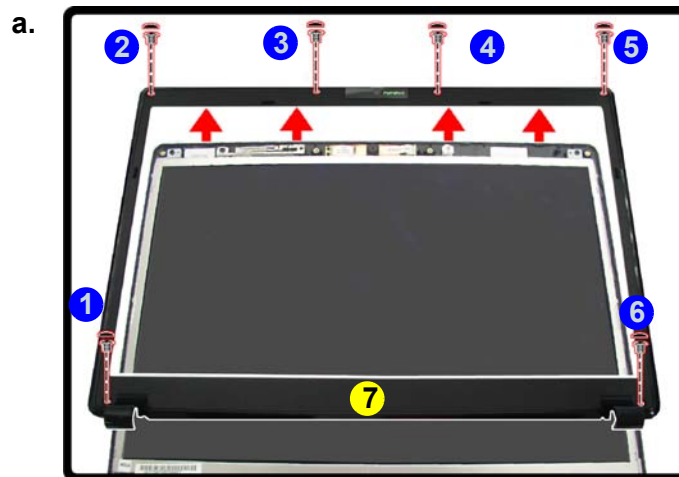
## Disassembly

*Figure 8*  
**Inverter Board Removal**

- Remove the 6 screws and unsnap the LCD front panel module from the back.
- Remove the screw and discharge the remaining power from the inverter board and lift the board up slightly.
- Disconnect the cables from the inverter.
- Remove the inverter.

## Removing the Inverter Board

- Turn **off** the computer, and remove the battery ([page 2 - 5](#)).
- Remove any rubber covers, screws **1** - **6** ([Figure 8a](#)), then run your finger around the middle of the frame to carefully unsnap the LCD front panel module **7** from the back.
- Discharge the remaining system power (see [“Inverter Power Warning”](#) below).
- Remove screws **8** - **9** ([Figure 8b](#)) from the inverter, and carefully lift the inverter board up slightly.
- Disconnect cables **10** & **11** ([Figure 8c](#)) from the inverter, then remove the inverter **12** ([Figure 8d](#)) from the top case assembly.



7. LCD Front Panel  
 12. Inverter Board

- 8 Screws



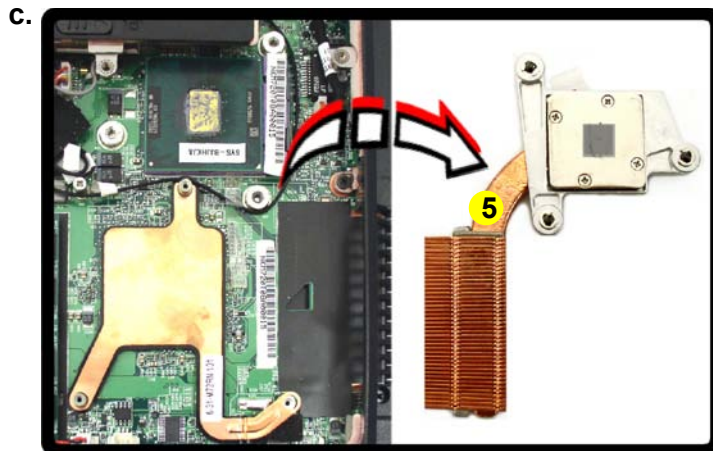
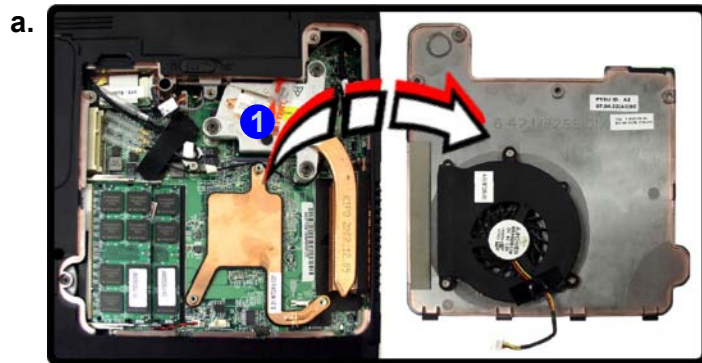
### Inverter Power Warning

In order to prevent a short circuit when removing the inverter it is necessary to discharge any remaining system power. To do so, press the computer's power button for a few seconds before disconnecting the inverter cable.



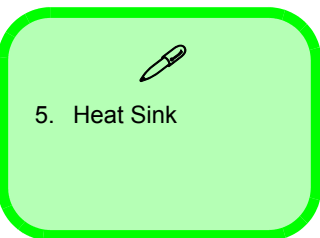
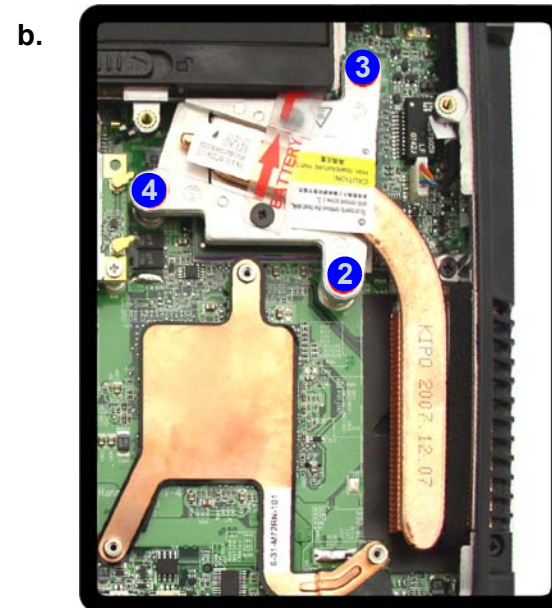
## Removing the Processor

1. Turn **off** the computer, and remove the battery ([page 2 - 5](#)) and the CPU/RAM bay cover ([page 2 - 10](#)).
2. The CPU heat sink will be visible at point **1** on the mainboard.
3. Loosen screws **2** - **4** from the heat sink in the order indicated.
4. Carefully lift up the heat sink **5** ([Figure c](#)) off the computer.



**Note:**

Only one model is pictured here, however the component locations are the same for both models.




*Figure 9*  
**Processor Removal**

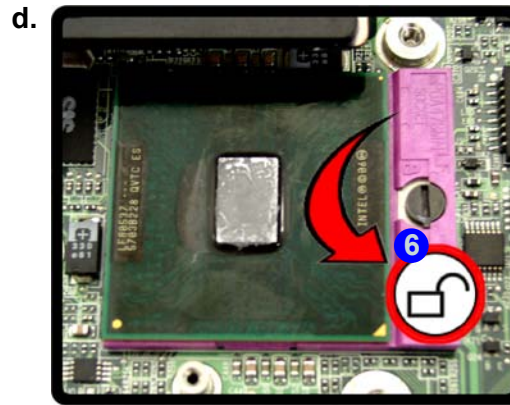
- a. Remove the cover and locate the heat sink.
- b. Remove the 3 screws in the order indicated.
- c. Remove the heat sink.

## Disassembly

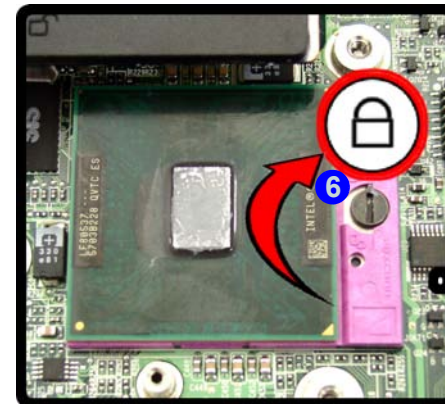
### Figure 10 Processor Removal Sequence

- d. Turn the release latch to unlock the CPU.  
e. Lift the CPU out of the socket.

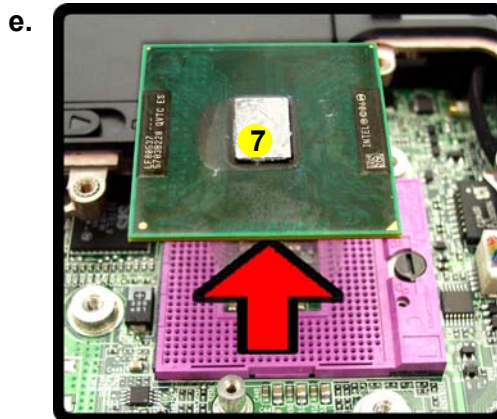
5. Turn the release latch **6** towards the unlock symbol , to release the CPU (*Figure d*).
6. Carefully (it may be hot) lift the CPU **7** up out of the socket (*Figure e*).
7. Reverse the process to install a new CPU.
8. When re-inserting the CPU, pay careful attention to the pin alignment, it will fit only one way (DO NOT FORCE IT!).



Unlock



Lock



#### Caution

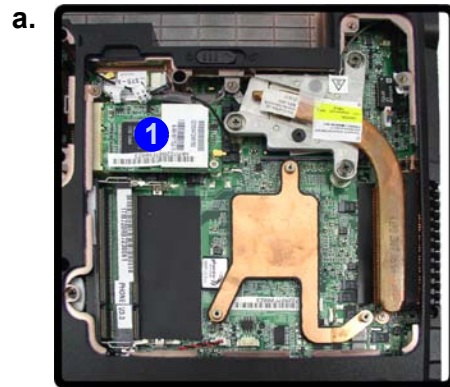
The heat sink, and CPU area in general, contains parts which are subject to high temperatures. Allow the area time to cool before removing these parts.



7. CPU

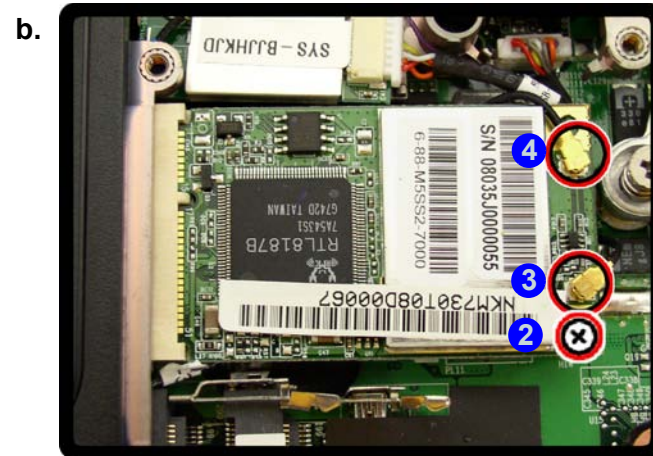
## Removing the Wireless LAN Module

1. Turn **off** the computer, remove the battery ([page 2 - 5](#)) and the component bay cover ([page 2 - 10](#)).
2. The Wireless LAN module will be visible at point **1** on the mainboard.
3. Carefully disconnect cables **2** - **3**, then remove screw **4** from the module socket.
4. The Wireless LAN module **5** will pop-up.
5. Lift the Wireless LAN module ([Figure 11d](#)) up and off the computer.



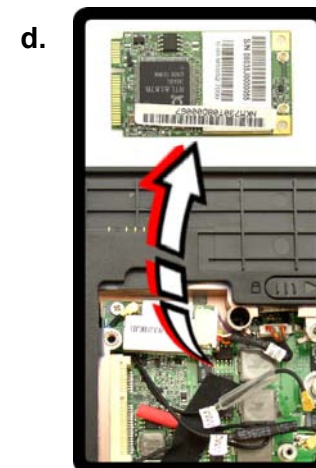
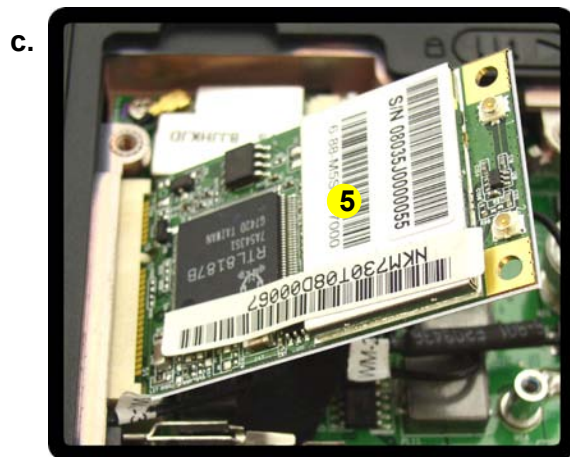
**Note:**

Only one model is pictured here, however the component locations are the same for both models.



- a. Remove the cover.
- b. Disconnect the cables and remove the screw.
- c. The WLAN module will pop up.
- d. Lift the WLAN module out.

Note: Make sure you reconnect the antenna cable to “1” + “2” socket ([Figure b](#)).



✍️

5. WLAN Module.

- 1 Screw



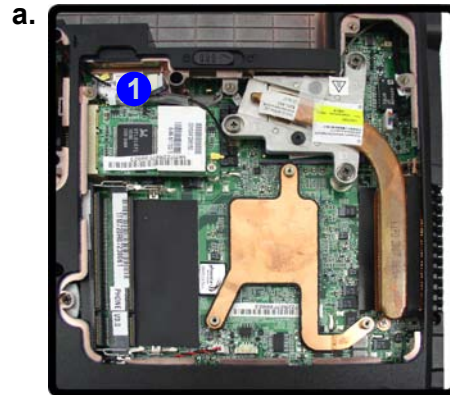
## Disassembly

Figure 12  
Bluetooth Removal

- Remove the cover and locate the Bluetooth module.
- Remove the screw and disconnect the cable and separate the connector.
- Lift the Bluetooth module out.

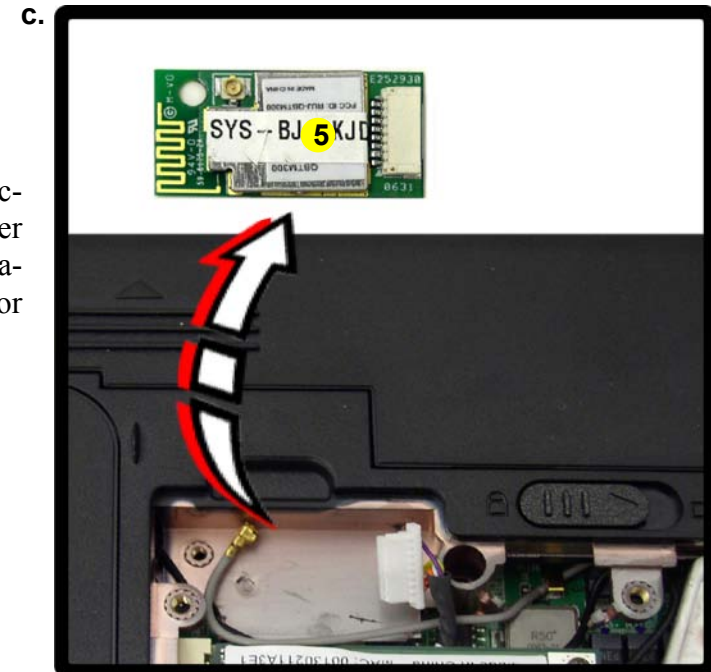
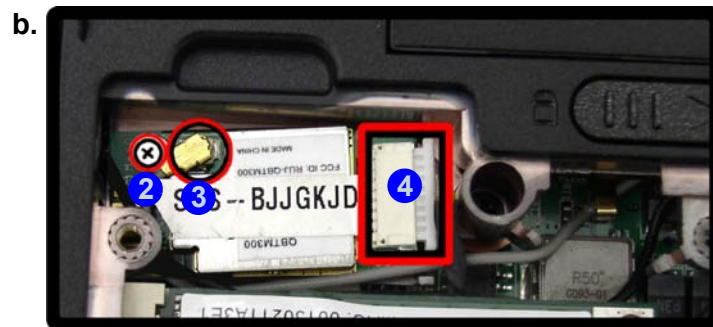
## Removing the Bluetooth Module

- Turn off the computer, remove the battery ([page 2 - 5](#)).
- The Bluetooth module will be visible at point ① on the mainboard.
- Remove screw ② and carefully disconnect the cable ③ and separate the module from the connector ④.
- Lift the Bluetooth module ⑤ up and off the computer.



## Note:

Only one model is pictured here, however the component locations are the same for both models.

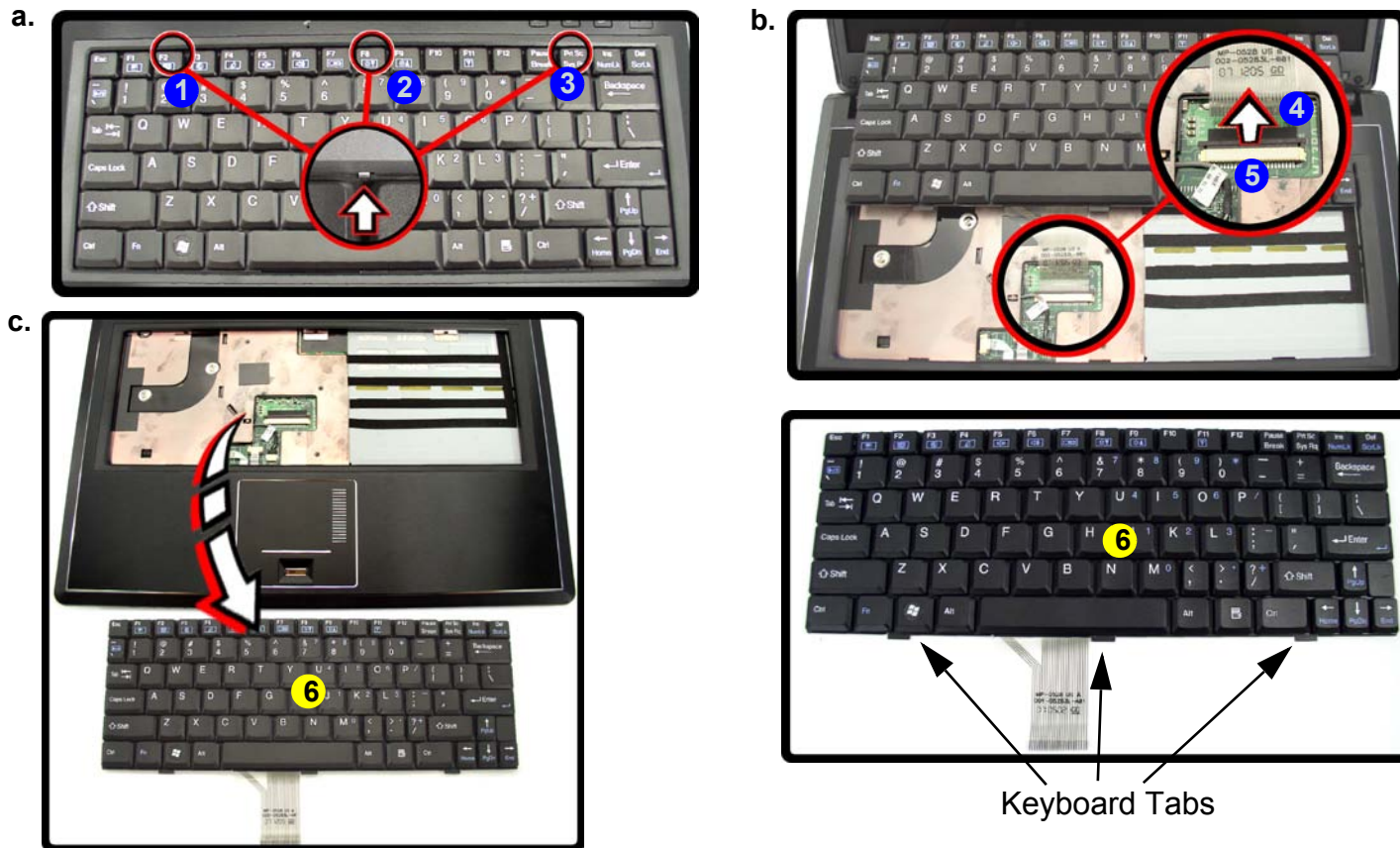


5. Bluetooth Module

- 1 Screw


## Removing the Keyboard

1. Turn **off** the computer, and remove the battery ([page 2 - 5](#)).
2. Press the **three** keyboard latches at the top of the keyboard to elevate the keyboard from its normal position (you may need to use a small screwdriver to do this).
3. Carefully lift the keyboard up, being careful not to bend the keyboard ribbon cable ([Figure 13b](#)).
4. Disconnect the keyboard ribbon cable **4** from the locking collar socket **5**.
5. Carefully lift up the keyboard **6** ([Figure 13c](#)) off the computer.




*Figure 13*  
**Keyboard Removal**

- a. Press the three latches to release the keyboard.
- b. Lift the keyboard up and disconnect the cable from the locking collar.
- c. Remove the keyboard.

  
**Re-Inserting the Keyboard**

When re-inserting the keyboard firstly align the **three** keyboard tabs at the bottom of the keyboard with the slots in the case.

  
6. Keyboard Module.

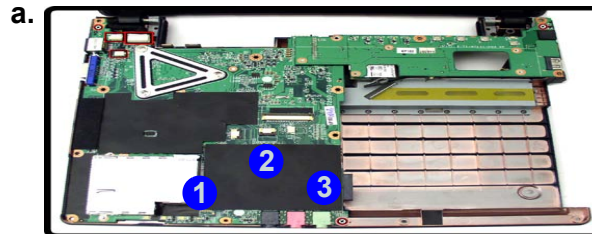
## Disassembly

Figure 14  
Modem Removal

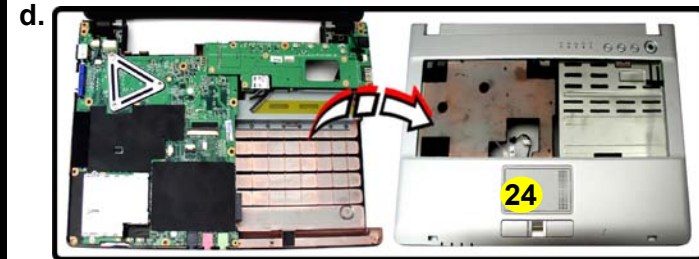
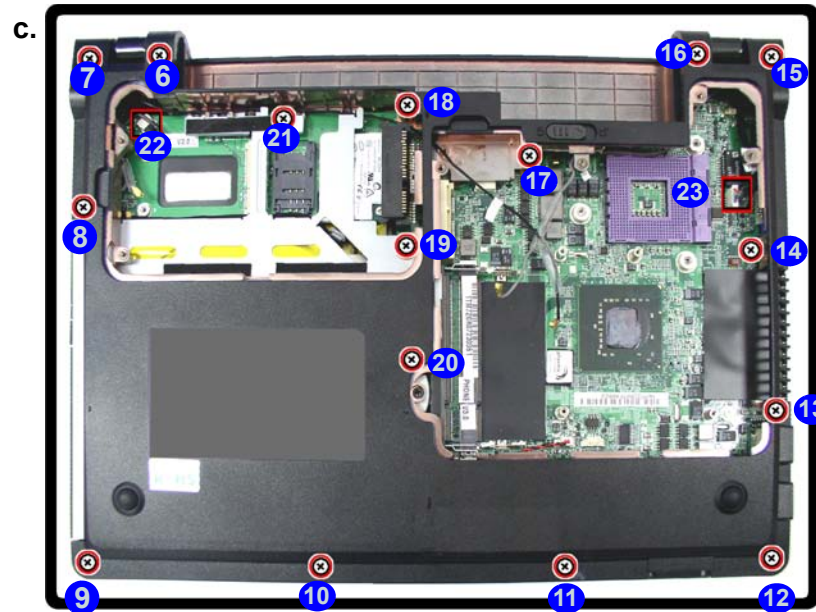
- Disconnect the connectors from under the keyboard.
- Remove the screws.
- Remove the screws and disconnect the connectors from the mainboard.
- Remove the top case.

## Removing the Modem

- Turn **off** the computer, remove the battery ([page 2 - 5](#)), HDD ([page 2 - 6](#)), component bay cover ([page 2 - 10](#)), optical device ([page 2 - 8](#)), CPU ([page 2 - 13](#)), bluetooth ([page 2 - 16](#)) and keyboard ([page 2 - 17](#)).
- Disconnect the connectors **1** - **3** from under the keyboard and turn it over.
- Remove screws **4** - **5** from the rear of the computer.



- Remove the screws **6** - **21** from the bottom case and disconnect the connectors **22** - **23** on the mainboard.
- Carefully lift up the top case **24** off the computer.



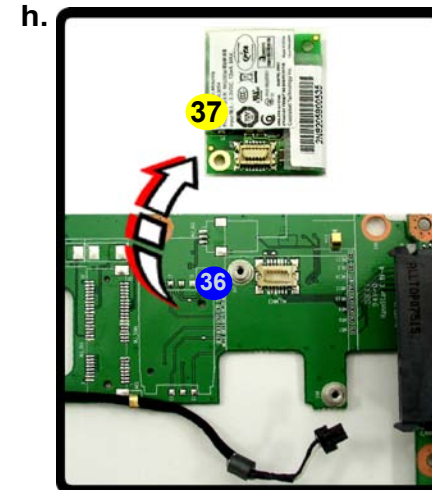
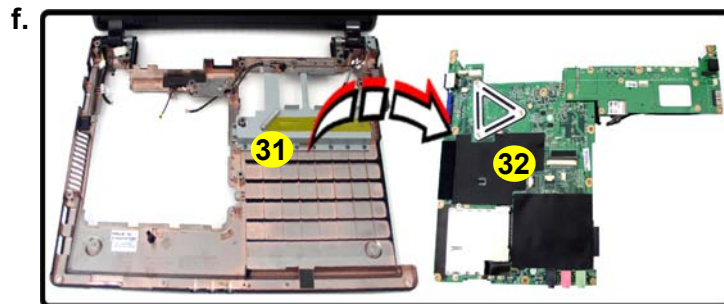
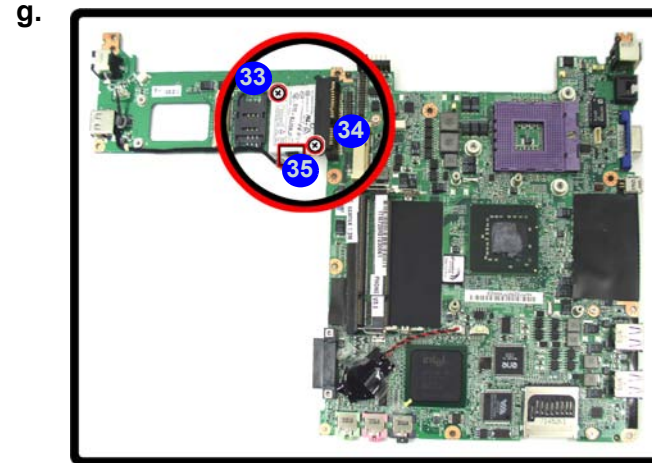
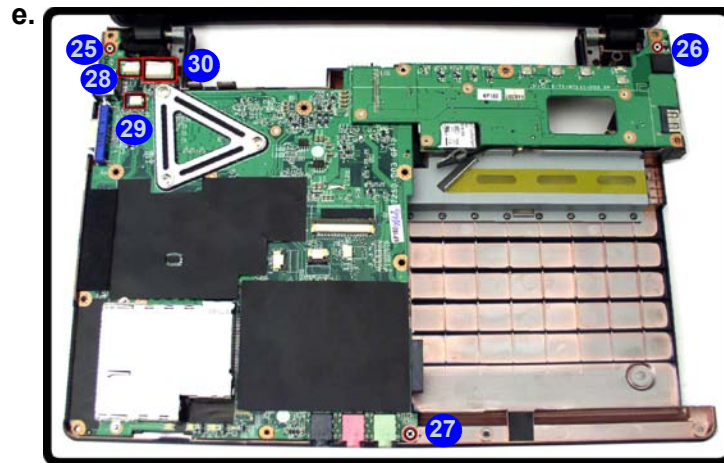
24. Top Case

- 18 Screws



Figure 15  
Modem Removal Sequence

6. Remove screws 25 - 27 and disconnect the connectors 28 - 30 from the mainboard.
7. Separate the bottom case 31 from the mainboard 32 and turn it over.
8. Remove the screws 33 - 34 and disconnect the connector 35 from the modem.
9. Lift the modem 37 up off the socket 36.



- e. Remove the screws and disconnect the connectors.
- f. Separate the bottom case from the mainboard.
- g. Remove the screws and disconnect the connector.
- h. Lift the modem up off the socket.

31. Bottom Case  
32. Main Board  
37. Modem

- 5 Screws



# Appendix A: Part Lists

This appendix breaks down the *M720T/M728T/M729T/M730T* series notebook's construction into a series of illustrations. The component part numbers are indicated in the tables opposite the drawings.

**Note:** This section indicates the *manufacturer's* part numbers. Your organization may use a different system, so be sure to cross-check any relevant documentation.

**Note:** Some assemblies may have parts in common (especially screws). However, the part lists DO NOT indicate the total number of duplicated parts used.

**Note:** Be sure to check any update notices. The parts shown in these illustrations are appropriate for the system at the time of publication. Over the product life, some parts may be improved or re-configured, resulting in *new* part numbers.

## Part List Illustration Location

The following table indicates where to find the appropriate part list illustration.

*Table A- 1*  
**Part List Illustration  
Location**

Parts	M720T	M728T	M729T	M730T
Top with Fingerprint	<i>page A - 3</i>	<i>page A - 10</i>	<i>page A - 17</i>	<i>page A - 24</i>
Top without Fingerprint	<i>page A - 4</i>	<i>page A - 11</i>	<i>page A - 18</i>	<i>page A - 25</i>
Bottom	<i>page A - 5</i>	<i>page A - 12</i>	<i>page A - 19</i>	<i>page A - 26</i>
LCD	<i>page A - 6</i>	<i>page A - 13</i>	<i>page A - 20</i>	<i>page A - 27</i>
HDD	<i>page A - 7</i>	<i>page A - 14</i>	<i>page A - 21</i>	<i>page A - 28</i>
COMBO	<i>page A - 8</i>	<i>page A - 15</i>	<i>page A - 22</i>	<i>page A - 29</i>
DVD-Dual Drive	<i>page A - 9</i>	<i>page A - 16</i>	<i>page A - 23</i>	<i>page A - 30</i>

# Top with Fingerprint (M720T)

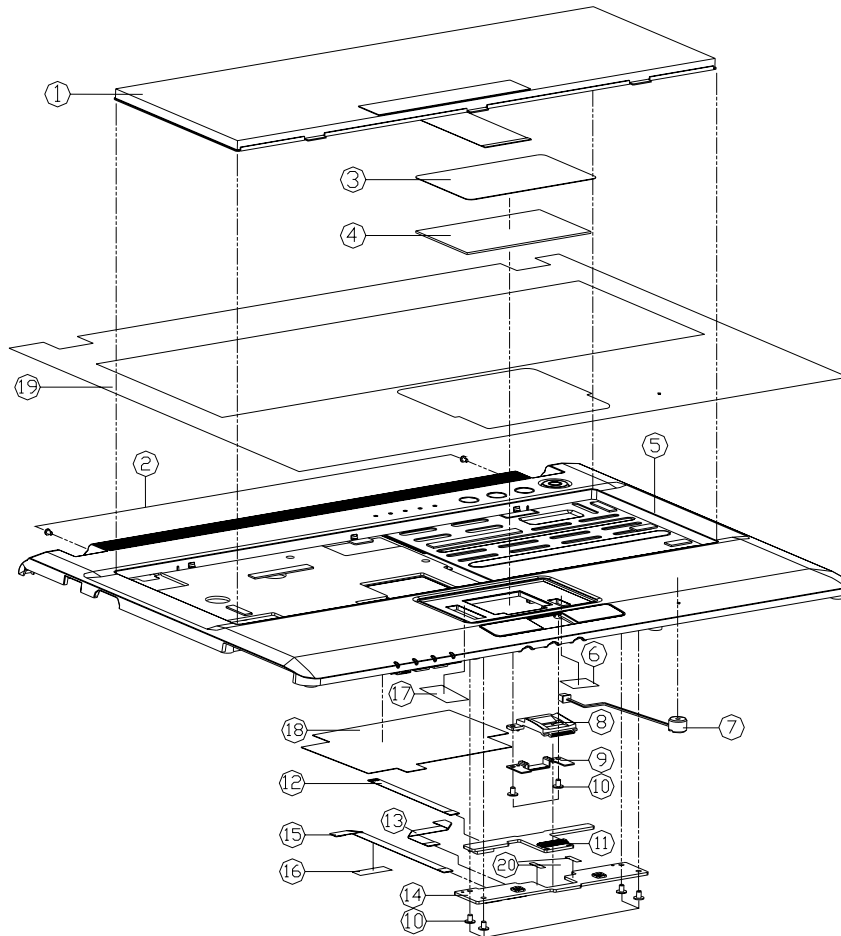
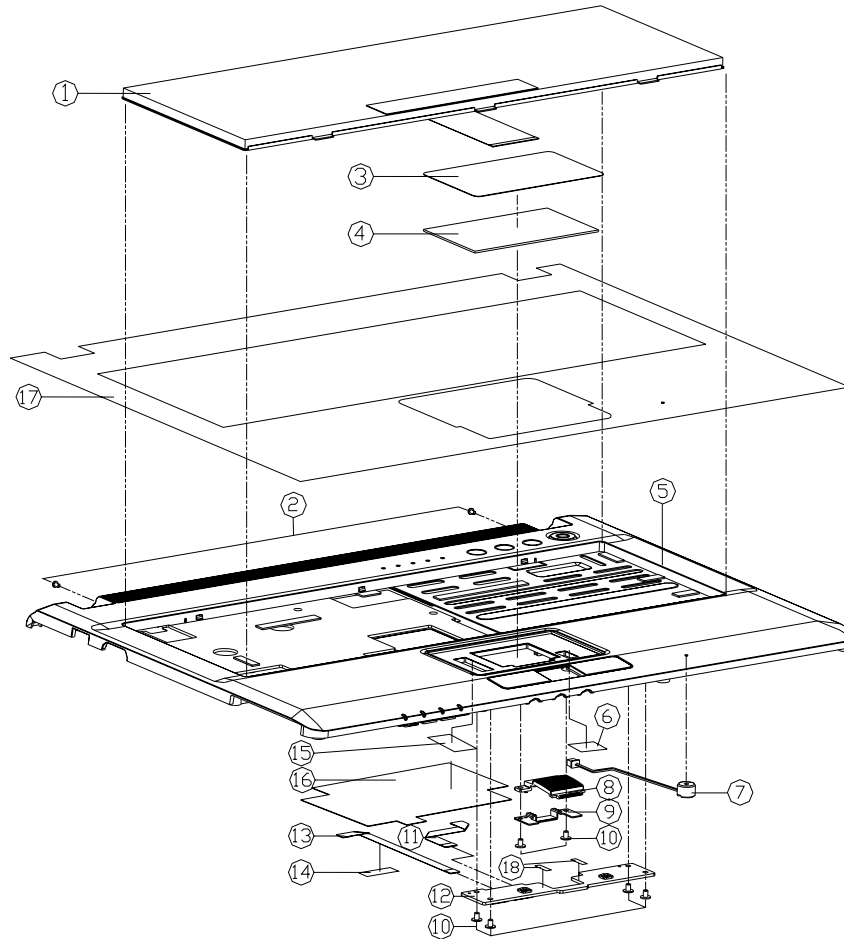


Figure A - 1  
Top with Fingerprint  
(M720T)

ITEM	PART NAME	PART NO	REMARK
1	K/B USA HP-0526205-4302 M720S	6-80-M7250-011-1	FDR M720T/M722T
1	K/B USA HP-0526205-4302 M721S	6-80-M7210-011-1	FDR M721T
2	SCREW M2x3L KI NI ICT NY	6-35-B1120-3RA	
3	TOUCH PAD MYLAR 8835 M720S	6-40-M7252-011	FDR M720T
3	TOUCH PAD MYLAR 8835 M721S	6-40-M7212-011	FDR M721T
3	TOUCH PAD MYLAR 8835 M725S	6-40-M7252-010	FDR M722T
4	TOUCH PAD TM61P21R389 M666JE	6-49-M66E2-010	
5	TPP CASE MODULE FLOATING M720T	6-39-M7212-012	FDR M720T
5	TPP CASE MODULE FLOATING M721T	6-39-M7212-112	FDR M721T
5	TPP CASE MODULE FLOATING M722T	6-39-M7222-112	FDR M722T
6	TOUCH PAD GROUND FOLIOGRAPH FOR DNAL	6-47-M55G2-010	
7	SCREW M2x3L KI NI ICT NY	6-23-EM55G-011	
8	GP KNOB CENTER PC-ABSICK7240 M720S	6-42-M7252-031-1	FDR M720T
8	GP KNOB CENTER PC-ABSICK7240 M721S	6-42-M7212-030	FDR M721T
8	GP KNOB CENTER PC-ABSICK7240 M725S	6-42-M7222-030	FDR M722T
9	FINGER BRACKET MODULE M720S	6-33-M7252-201	
10	SCREW M2x3L KI NI ICT GTY-PATCH	6-35-B1120-3RE	
11	FINGERPRINT BOARD V10A M720T	6-77-M721F-001A	
12	FTC CABLE FOR FINGERPRINT TO W/B 4P M720S	6-43-M7250-030	
13	FTC CABLE FOR TOUCH PAD TO W/B 4P M720S	6-43-M7250-010	
14	CLICK BOARD V1.0 M720T	6-77-M7212-001	
15	FTC CABLE FOR CLICK TO W/B 4P M720S	6-43-M7250-020	
16	TAPE MYLAR (C)MYLAR M550J	6-40-M55J2-030	
17	TOUCH PAD GROUND FOLIOGRAPH FOR DNAL	6-47-M55G2-020	
18	FDR TOP CASE M720T	6-47-M7212-010	
19	TPP CASE PROTECT MYLAR 14118 8835 M720S	6-40-M7212-024	
20	CLICK BOARD MYLAR FOLIOGRAPH FOR DNAL	6-40-M729S-011	

# Top without Fingerprint (M720T)

Figure A - 2  
Top without Fingerprint  
(M720T)



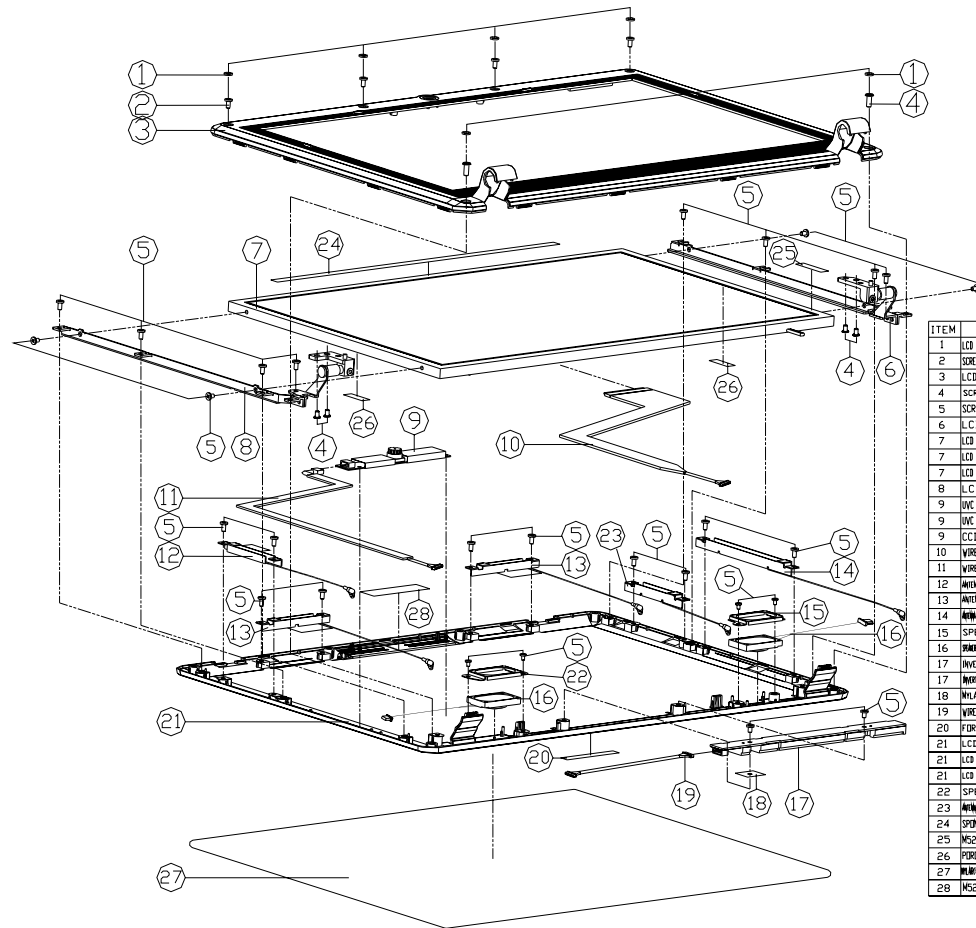
ITEM	PART NAME	PART NO	REMARK
1	K/B USA W/45283US-4302 M720S	6-80-M7250-011-1	FOR M7201/M7221
1	K/B USA W/45283US-4302 M721S	6-80-M7210-011-1	FOR M721T
2	SCREW M4X3L K1 NI ICT NY	6-35-B1120-3RA	
3	TOUCH PAD MYLAR 8835 M720S	6-40-M7252-011	FOR M720T
3	TOUCH PAD MYLAR 8835 M721S	6-40-M7212-011	FOR M721T
3	TOUCH PAD MYLAR 8835 M722S	6-40-M7252-010	FOR M722T
4	TOUCH PAD 1M61PDZIR309 M66JJC	6-49-M66E2-010	
5	TOP CASE MODULE(FLOATING) M720T	6-39-M7212-012	FOR M720T
5	TOP CASE MODULE(FLOATING) M721T	6-39-M7212-112	FOR M721T
5	TOP CASE MODULE(FLOATING) M722T	6-39-M7222-112	FOR M722T
6	TOUCH PAD GROUND AL 1749	6-47-M55G2-010	
7	IC UNIDIRECTIONAL IR DETECTOR	6-23-EM55G-011	
8	IP KMER CENTER DUMMY PC-M55G2240 M720S	6-42-M7252-041-1	FOR M720T
8	IP KMER CENTER DUMMY PC-M55G2240 M721S	6-42-M7212-040	FOR M721T
8	IP KMER CENTER DUMMY PC-M55G2240 M722S	6-42-M7222-040	FOR M722T
9	FINGER BRACKET MODULE M720S	6-33-M7252-201	
10	SCREW M4X3L K1 NI ICT GTY-PATCH	6-35-B1120-3RE	
11	ITC CABLE FOR TOUCH PAD TO W3 IP M720S	6-43-M7250-010	
12	CLICK BOARD V20 FOR M720T	6-77-M7212-001	
13	ITC CABLE FOR CLICK TO W3 IP M720S	6-43-M7250-020	
14	TAPE MYLAR (C)MYLAR M550J	6-40-M55J2-030	
15	TOUCH PAD GROUND AL 1749 FOR ORAL	6-47-M55G2-020	
16	FOR TOP CASE M720T	6-47-M7212-010	
17	TOP CASE PROTECT MYLAR 8835 M721S	6-40-M7212-024	
18	CLICK BOARD FOR TOUCH PAD TO W3 IP M720T	6-40-M7295-011	





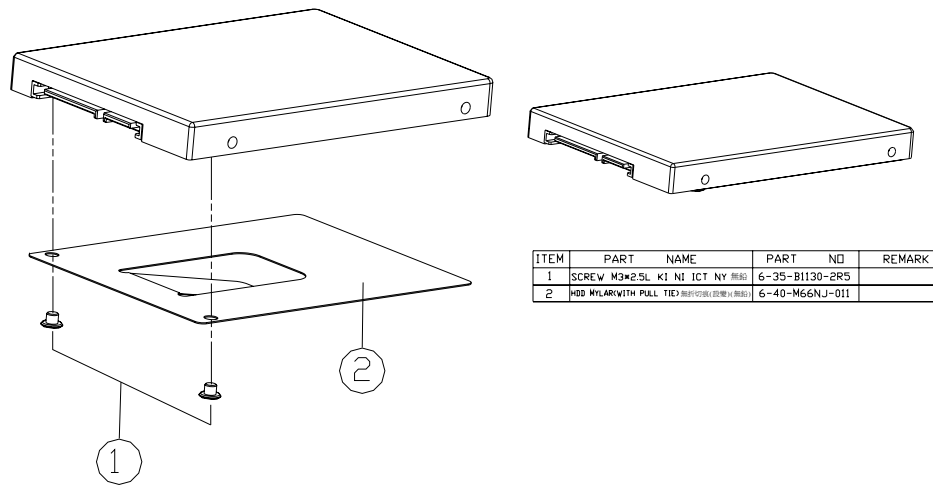
# LCD (M720T)

Figure A - 4  
LCD  
(M720T)



ITEM	PART NAME	PART NO	REMARK
1	LCD FRONT COVER SCREW HOLE RUBBER M720S	6-47-M72S1-021	
2	SCREW NYLON 1.8Z ICT G1Y-PATCH (1-88 B-4)	6-35-C6120-4R-B	
3	LCD FRONT COVER MODULE M720T	6-39-M72T1-011	
4	SCREW M2.5*SL KI BK/2 ICT NY	6-35-B6125-5RA	
5	SCREW M2*3L KI NI ICT G1Y-PATCH	6-35-B1120-3RE	
6	LCD HINGE R SECC M720T	6-33-M72T1-011	
7	LCD REP VISA TOSHIBA LTM26EVV 04K30	6-50-FC255-100	
7	LCD REP VISA AU SREXV03 V4 (GAR TYPE	6-50-FC255-G03	
7	LCD REP VISA BE (HIND) HTEW2-NE3 GL	6-50-FC252-H00	
8	LCD HINGE L SECC M720T	6-33-M72T1-021	
9	IOC CAMERA RESIN (1X INCH4372000 HAWOOD	6-88-M5E4C-4921	
9	IOC CAMERA RESIN (1X INCH4372000 2IN M540S	6-88-M5E4C-4913	
9	CCD RUBBER SILICONE M720S	6-47-M72S1-010	w/o CCD
10	WIRE CABLE FOR LCD TO W/B 2P M720S	6-43-M72S1-012	
11	WIRE CABLE FOR CCD TO W/B 2P M720S	6-43-M72S1-012	
12	ANTENNA ALUMINUM 24X26 PFA W/ BUBBLE BOND MOOSE	6-23-7M72S-020	(OPTION)
13	ANTENNA NYLON 24X26 PFA W/ BUBBLE BOND MOOSE	6-23-7M72S-030	
14	ANTENNA NYLON 24X26 PFA W/ BUBBLE BOND MOOSE	6-23-7M72T-010	(OPTION)
15	SPEAKER FIXTURE-R	6-33-M300T-031	
16	SPK1 (PAIR) 1.5" P-1000Z VIBRA P MCA 100	6-23-5M72S-020	
17	INVERTER MODULE 60A NYAC (A-1000-CV200)	6-76-M660R-010	
17	INVERTER MODULE 60A NYAC (A-1000-CV200) (MAGN)	6-76-M660R-011	
18	NYLAR FOR INVERTER (44X140X40 M540N)	6-40-M660S-060	
19	WIRE CABLE FOR INVERTER TO W/B 4P M720S	6-43-M72SR-012	
20	FDR M540G (1P) LOGO STYLE-NOTICE	6-45-M54G1-020	
21	LCD BACK COVER MODULE M720T	6-39-M72T1-021	
21	LCD BACK COVER AUTO-LOCK MODULE M720S	6-39-M72T1-120	
21	LCD BACK COVER AUTO-LOCK MODULE M720S	6-39-M7221-120	
22	SPEAKER FIXTURE-L	6-33-M300T-041	
23	SPK1 (PAIR) 1.5" P-1000Z VIBRA P MCA 100	6-23-5M72T-040	
24	SPRING (20X54X5) FOR BACK CASE M720S	6-47-0019A-153	
25	MS20N NYLAR FOR CCD BACK CASE	6-40-MS2N1-010	
26	PERON (20X54X5) FOR BACK CASE M720S	6-47-00191-103	
27	NYLAR (1.5" X 1.5") 24X26 PFA W/ BUBBLE BOND MOOSE	6-40-00151-M70	
28	MS20N NYLAR FOR CCD BACK CASE	6-40-MS2N1-010	

# HDD (M720T)

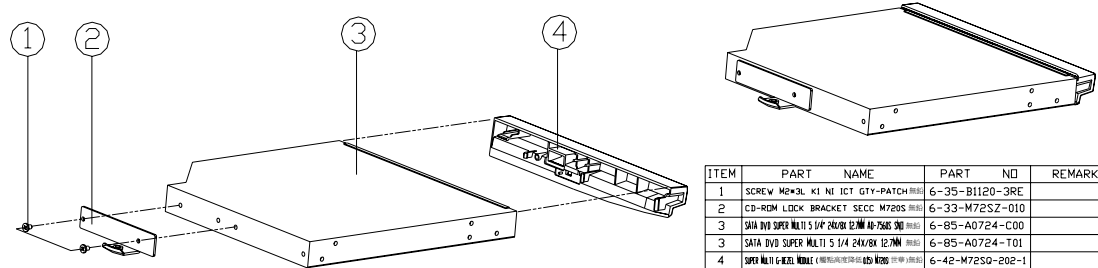


ITEM	PART NAME	PART NO	REMARK
1	SCREW M3*2.5L K1 NI ICT NY 無鉛	6-35-B1130-2R5	
2	HDD MFLARWITH PULL TIE 無鉛	6-40-M66NJ-011	

Figure A - 5  
HDD  
(M720T)



# DVD-Dual Drive (M720T)



ITEM	PART NAME	PART NO	REMARK
1	SCREW M2x3L K1 NI ICT GTY-PATCH	6-35-B1120-3RE	
2	CD-ROM LOCK BRACKET SECC M720S	6-33-M72SZ-010	
3	SATA DVD SUPER MULTI 5 1/4 24X/8X 12.7MM	6-85-A0724-C00	
3	SATA DVD SUPER MULTI 5 1/4 24X/8X 12.7MM	6-85-A0724-T01	
4	SATA DVD SUPER MULTI 5 1/4 24X/8X 12.7MM	6-42-M72SQ-202-1	

Figure A - 7  
DVD-Dual Drive  
(M720T)

Part Lists

Top with Fingerprint (M728T)

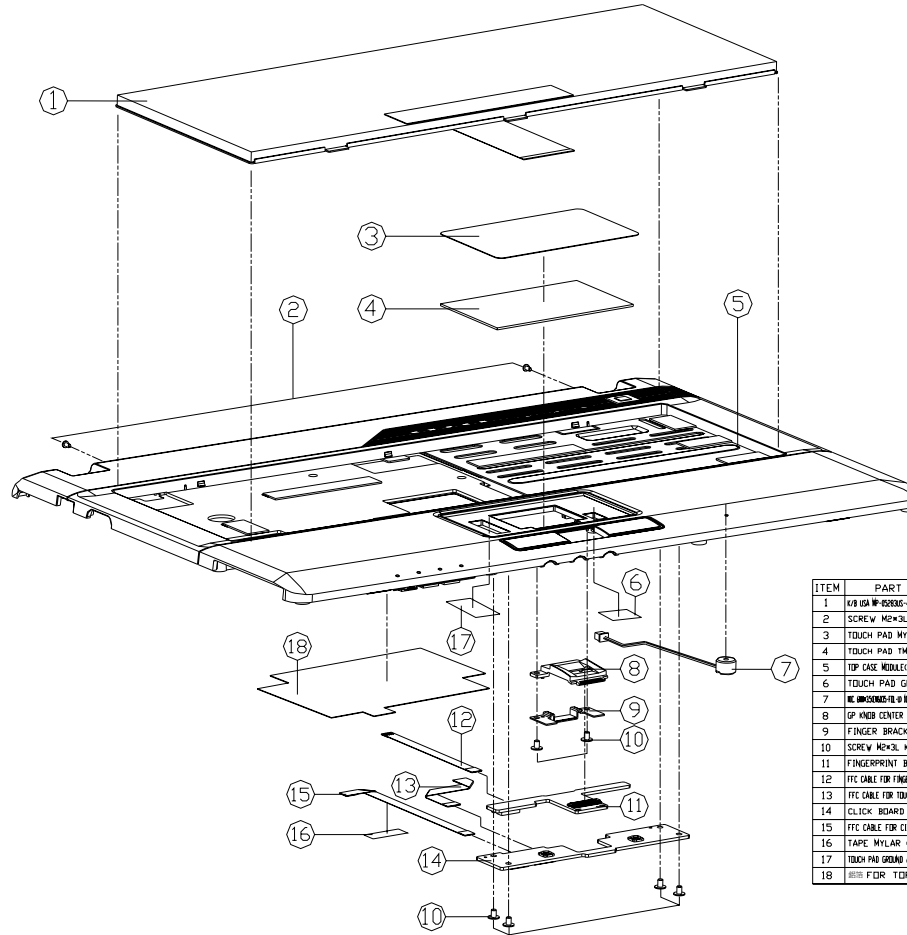
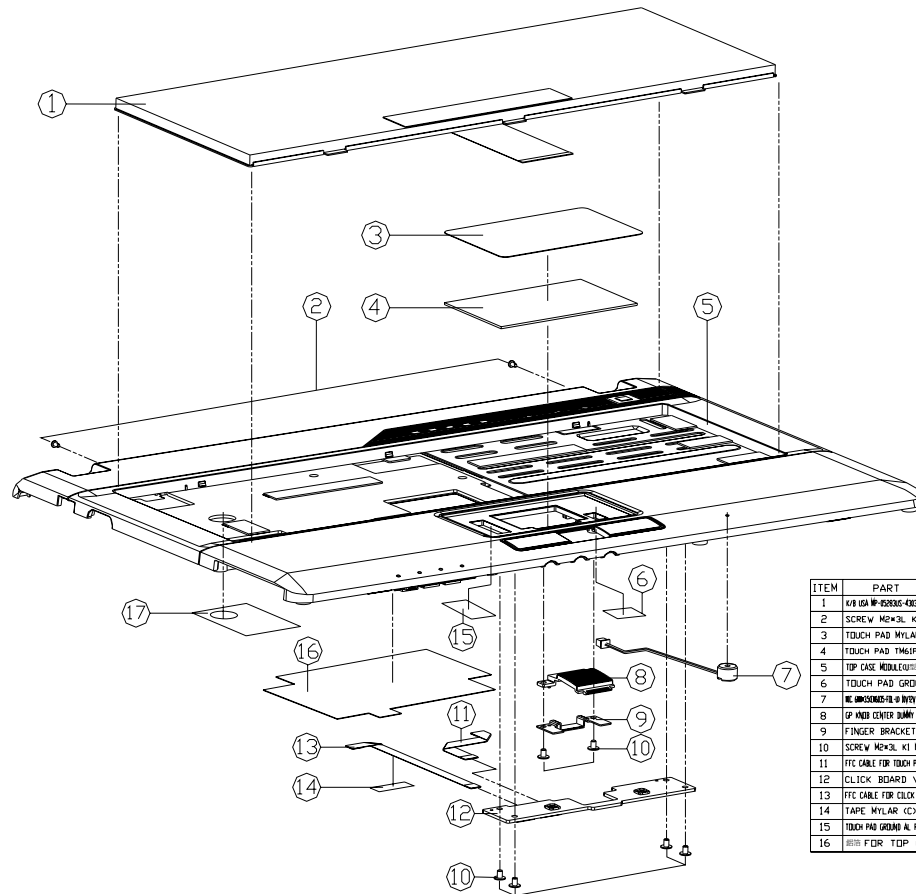


Figure A - 8  
Top with  
Fingerprint  
(M728T)

ITEM	PART NAME	PART NO	REMARK
1	TOP CASE M728T-010 M728T-010 M728T-010 M728T-010	6-80-M7280-011-1	
2	SCREW M2X3. KI NI ICT NY M728T	6-35-B1120-3RA	
3	TOUCH PAD MYLAR 0835 M728S	6-40-M7252-010	
4	TOUCH PAD TMS6P2K389 M660C M728S	6-49-M66E2-010	
5	TOP CASE MIDDLE FOR FLOATING M728S	6-39-M7252-015	
6	TOUCH PAD GROUND AL 17X9 M728T	6-47-M55G2-010	
7	TOP CASE MIDDLE FOR FLOATING M728S	6-23-E555G-011	
8	OP KNOB CENTER PC-ABS(CX740) M728S	6-42-M7222-030	
9	FINGER BRACKET MODULE M720S	6-33-M7252-201	
10	SCREW M2X3. KI NI ICT QTY-PATCH M728T	6-35-B1120-3RE	
11	FINGERPRINT BOARD V10A M720T	6-77-M721F-D01A	
12	FFC CABLE FOR FINGERPRINT TO M728T	6-43-M7250-030	
13	FFC CABLE FOR TOUCH PAD TO M728T	6-43-M7250-010	
14	CLICK BOARD V10 M720T	6-77-M7212-D01	
15	FFC CABLE FOR CLICK TO M728T	6-43-M7250-020	
16	TAPE MYLAR (C)MYLAR M550J M728S	6-40-M55J2-030	
17	TOUCH PAD GROUND AL TOLL2040 FOR DNAL M728T	6-47-M55G2-020	
18	TOP CASE M720T	6-47-M7212-010	



# Top without Fingerprint (M728T)



ITEM	PART NAME	PART NO	REMARK
1	K/B USA W/ FINGERPRINT M728T	6-80-M7250-011-1	
2	SCREW M2*3L KI NI ICT NY	6-35-B1120-3RA	
3	TOUCH PAD MYLAR B835 M725S	6-40-M7252-010	
4	TOUCH PAD TMRP22R3B9 M660JE	6-49-M6662-010	
5	TOP CASE MODULE KB FLOATING M725S	6-39-M7252-015	
6	TOUCH PAD GROUND AL 17*9	6-47-M5552-010	
7	IC ASSY CENTER DUMMY PC ASSY M728T	6-23-EM555G-011	
8	IC ASSY CENTER DUMMY PC ASSY M728T	6-42-M7222-040	
9	FINGER BRACKET MODULE M720S	6-33-M7252-201	
10	SCREW M2*3L KI NI ICT GTY-PATCH	6-35-B1120-3RE	
11	FFC CABLE FOR TOUCH PAD TO M/B DP M728T	6-43-M7250-010	
12	CLICK BOARD V1.0 M720T	6-77-M72T2-001	
13	FFC CABLE FOR CLICK TO M/B DP M720S	6-43-M7250-020	
14	TAPE MYLAR (C)MYLAR M550J	6-40-M55J2-030	
15	TOUCH PAD GROUND AL FINGERPRINT FOR DUAL	6-47-M5552-020	
16	FDR TDP CASE M720T	6-47-M72T2-010	

Figure A - 9  
Top without  
Fingerprint  
(M728T)

A.Part Lists

# Bottom (M728T)

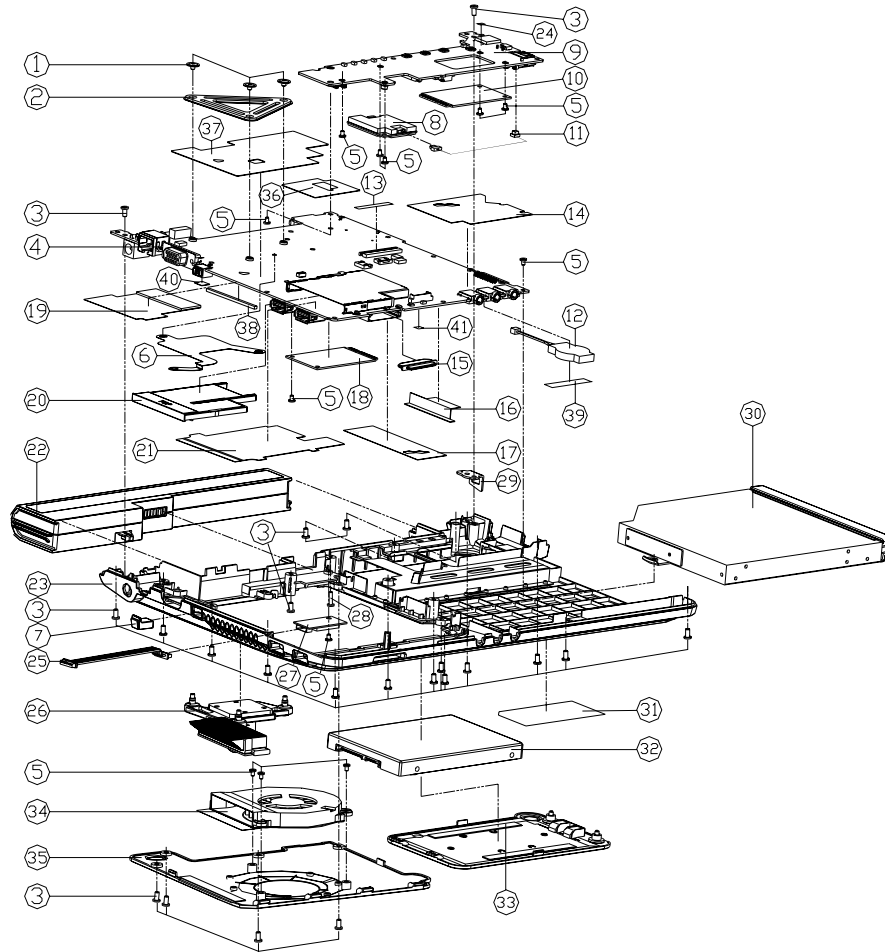


Figure A - 10  
Bottom  
(M728T)

ITEM	PART NAME	PART NO	REMARK
1	KEY-OPS-POS-ADJUSTER-ASSEMBLY-MULTI-MULTI-40T	6-35-41025-2R5	
2	CPU SUPPORTER MODULE AL M720S	6-33-M72SS-011	
3	SCREW M2.5XSL K1 BK/Z ICT NY	6-35-B6125-SRA	
4	MAIN BOARD V30A M720T	6-77-M72T0-D03A	
5	SCREW M2XSL K1 NI ICT NY	6-35-B1120-3RA	
6	NORTH BRIDGE HEATSINK MODULE (CU) M720R	6-31-M72RN-101	
7	1394 RUBBER M720S	6-47-M72SP-010	
8	MAIN BOARD V30A (W/30) M720T	6-88-L39T1-5300	
9	MULTI I/O BOARD V30A (W/30) M720T	6-77-M72T1-D03A	
9	MULTI I/O BOARD V30A (W/30) M720T	6-77-M72T1-D03A-1	
10	WLAN MEDIA MODULE SERIAL/IEEE802.11n WLAN USB 3.5G	6-88-M72SW-720	(OPTION)
11	WIRE CABLE FOR RJ-45 TO NIC 2P M720S	6-43-M72SU-010	(OPTION)
12	MAIN BOARD V30A (W/30) M720T	6-23-2201S-P2C	
13	M520G K/B CONN MYLAR	6-40-M520S-060	
14	MAIN BOARD AL FOIL M730T	6-40-M73TS-0D0	
15	M520G CARD READER RUBBER	6-47-M52GB-010	
16	DDR DIM M/LAR FR83+TERADAK750T M720S	6-40-M72SZ-010	
17	DDR MYLAR FR83 M730T	6-40-M73TS-060	
18	COMPLEXION BR2140N INTEL SHIELD PE	6-88-M72T2-4211	
18	WLAN BR2140N INTEL SHIELD PEAK D2E NI	6-88-M72T2-4240	(OPTION)
18	COMPLEXION BR2140N INTEL SHIELD PEAK	6-88-M72T2-4241	(OPTION)
18	WLAN BR2140N INTEL SHIELD PEAK USB R1	6-88-M5SS2-7000	(OPTION)
19	NORTH BRIDGE M/LAR FR83+TERADAK750T M730T	6-40-M73TS-021	
20	DUMMY NEW CARD PC+ABS T1220R	6-42-T12R3-011	
21	NEW CARD M/LAR FR83+TERADAK750T M730T	6-40-M73TS-050	
22	MAP S 11 H/W/2MM KCP SH/50X50C 300/1700P M720S	6-87-M72SS-4DF2	
22	MAP S 11 H/W/2MM KCP SH/50X50C 300/1700P M720S	6-87-M72SS-4D42	
22	MAP S 11 H/W/2MM KCP SH/50X50C 300/1700P M720S	6-87-M72SS-5DF2	
23	BOTTOM CASE MODULE CROSS	6-39-M72SS-018	
24	SPEAKER CABLE PASTE (FR83+SHINO) M720S	6-40-M72SS3-010	
25	WIRE CABLE FOR BLUETOOTH TO M/B 8P M720S	6-43-M72SB-010	
26	HEAT SINK MODULE M720S	6-31-M72SN-103	
27	BLUETOOTH V20 GUBTERAW NG ODM 8 PIN USB	6-88-M5S45-620	(OPTION)
27	BLUETOOTH V20 GUBTERAW NG ODM 8 PIN USB	6-88-M5S45-390	(OPTION)
28	SCREW M2XSL K1 BK/Z ICT NY	6-35-B6120-BR0	
29	LOCK BRACKET SECC M720S	6-33-M72S3-010	
30	SATA DVD SUPER MULTI 24X/8X DVD	6-79-M72T0-000	
30	SATA DVD COMBO 24X/8X DVD/8X DVD-R	6-79-M72T1-000	
31	PRODUCT LABEL FOR M720T	6-45-M72T3-010	
31	PRODUCT LABEL FOR M725T	6-45-M725T-010	
31	PRODUCT LABEL FOR M721T	6-45-M721T-010	
31	PRODUCT LABEL FOR M722T	6-45-M722T-010	
31	PRODUCT LABEL FOR M728T	6-45-M728T-010	
31	PRODUCT LABEL FOR M729T	6-45-M729T-010	
32	V/D HDD ASS'Y M720S	6-79-M72SJ-010	
33	HDD COVER MODULE M720S	6-42-M72S-J-103	
34	FAN MODULE M720S	6-31-M72SS-103	
35	CPU COVER MODULE M720T	6-42-M72TS-100	
36	RJ45 CONNECT M/LAR FOR NI FR83+TERADAK750T M730T	6-40-M73TS-040	
37	M/LAR FOR NI FR83+TERADAK750T M730T	6-40-M73TS-010	
38	M/LAR-I FOR NI (50X24165) PC M720S	6-40-M72SS-051	
39	TAPE MYLAR (A)MYLAR M550J	6-40-M55J2-010	
40	PROTECT MB MYLAR FR83 M720S	6-40-M72SS-040	

# LCD (M728T)

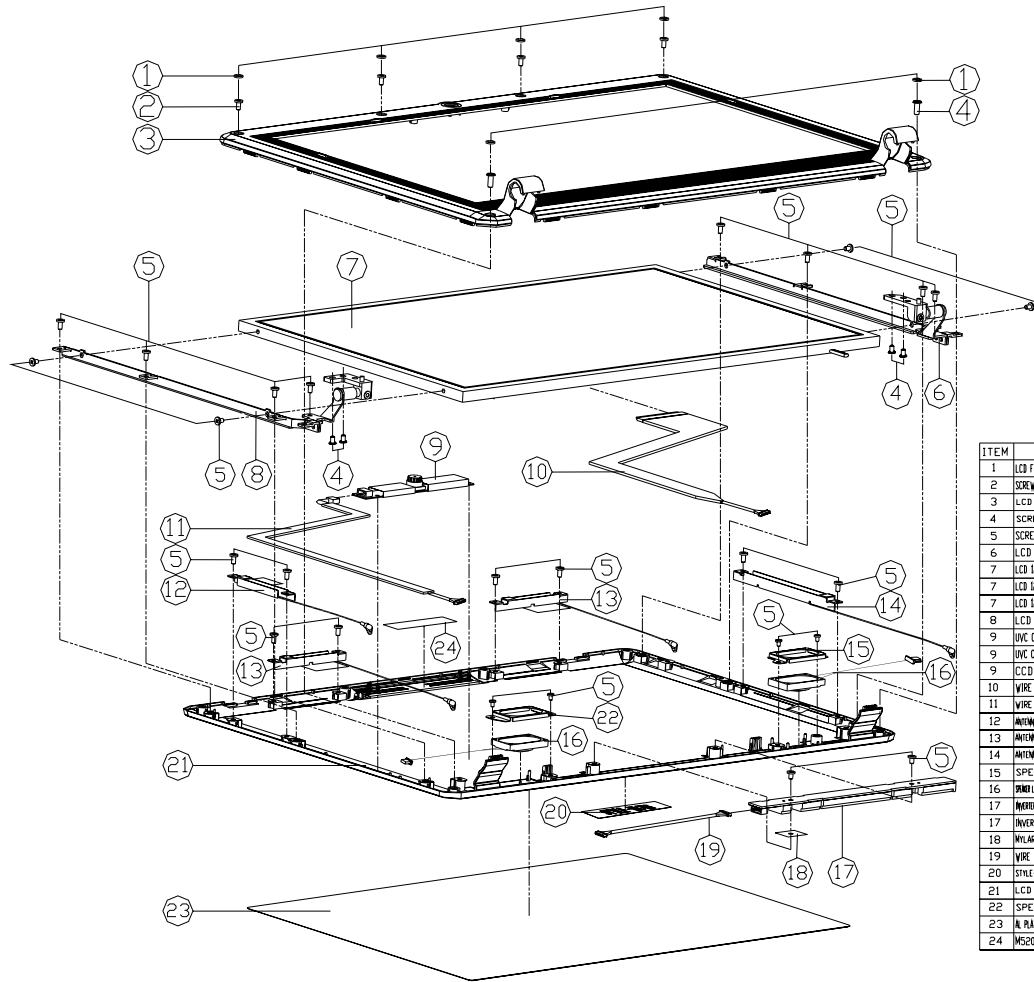


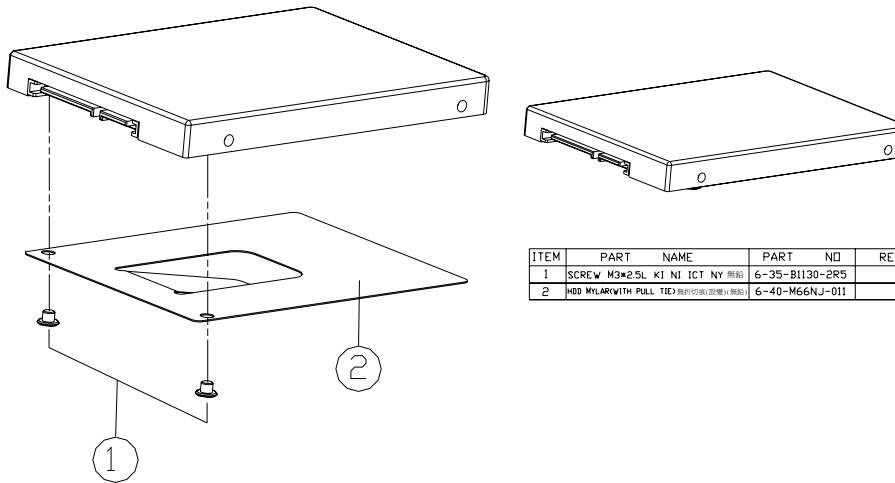
Figure A - 11  
LCD  
(M728T)

ITEM	PART NAME	PART NO	REMARK
1	LCD FRONT COVER SCREW HOLE RUBBER M728T	6-47-M72S1-021	
2	SCREW M4x4 L B7 ICT GTY-PATCH (1-B8 B-4)	6-35-C6120-4RB	
3	LCD FRONT COVER MODULE M728T	6-39-M72T1-011	
4	SCREW M2.5x5L X1 BK/2 ICT NY	6-35-B6125-SRA	
5	SCREW M2x3L X1 NY ICT GTY-PATCH	6-35-B1120-3RE	
6	LCD HINGE R DIE CASTING M720S	6-33-M72S1-011	
7	LCD 12" VGA TOSHIBA L102EKVW (WV3)	6-50-FC255-T00	
7	LCD 12" VGA AU BRCV03 V4 CLEAR TYPE	6-50-FC255-G03	
7	LCD 12" VGA BEE HYD51 H12EW2-B3 GL	6-50-FC252-H00	
8	LCD HINGE L DIE CASTING M720S	6-33-M72S1-021	
9	UVX CAMERA BISSN FIX BKCM5T2000 M728T	6-88-M5E4C-4921	
9	UVX CAMERA BISSN FIX BKCM5T2000 2M M728T	6-88-M5E4C-4913	
9	CCD RUBBER SILICONE M720S	6-47-M72S1-010	w/d CCD
10	WIRE CABLE FOR LCD TO M/B SP M720S	6-43-M72S1-012	
11	WIRE CABLE FOR CCD TO M/B SP M720S	6-43-M72S1-012	
12	ANTENNA M4X1000 24G/5G PFA BT	6-23-7M72S-020	(OPTION)
13	ANTENNA M4X1000 24G/5G PFA W/L	6-23-7M72S-030	
14	ANTENNA M4X1000 3G PFA CRD 3MM	6-23-7M72S-011	(OPTION)
15	SPEAKER FIXTURE-R	6-33-M300T-031	
16	SPK L 50MM DIA 16 OHM 1000HZ 2W 8 OHM	6-23-SM72S-020	
17	INVERTER MODULE 20A W/AC 24VDC	6-76-M6G0R-011	
17	INVERTER MODULE 20A W/AC 24VDC CV20A	6-76-M6R6R-010	
18	MYLAR FOR INVERTER (440V/450V)	6-40-M6GNS-060	
19	WIRE CABLE FOR INVERTER TO M/B SP M720S	6-43-M72SR-012	
20	STYLE M728T	6-45-M74S1-012	
21	LCD BACK COVER MODULE M728T	6-39-M74S1-022	
22	SPEAKER FIXTURE-L	6-33-M300T-041	
23	AL PATE FOR LCD BOX COVER M720S	6-33-M7281-011	
24	M520N MYLAR FOR CCD BACK CASE	6-40-M52N1-010	

A.Part Lists

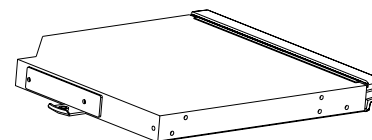
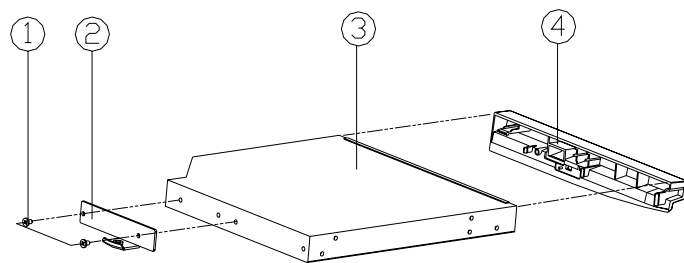
# HDD (M728T)

Figure A - 12  
HDD  
(M728T)



ITEM	PART	NAME	PART	NO	REMARK
1	SCREW	M3*2.5L K1 NI ICT NY #80	6-35-B1130-2R5		
2	HDD MYLAR WITH PULL TAB	REF: 6-40-M66N-J-011	6-40-M66N-J-011		

# COMBO (M728T)



ITEM	PART NAME	PART NO	REMARK
1	SCREW M2*3L K1 NI ICT GTY-PATCH (REF)	6-35-B1120-3RE	
2	CD-ROM LOCK BRACKET SECC M720S (REF)	6-33-M72SZ-010	
3	SATA DVD SUPER MULTI 5 1/4" 24X/8X 12.7MM 16-PIN 300 (REF)	6-85-90724-C00	
3	SATA DVD COMBO 5 1/4" 24X/8X 12.7MM 1551 T (REF)	6-85-90724-T00	
4	COMBO 6-PIN/2X MODULE (REF) (REF) (REF) (REF) (REF) (REF)	6-42-M72SX-102-1	

Figure A - 13  
COMBO  
(M728T)



# Top with Fingerprint (M729T)

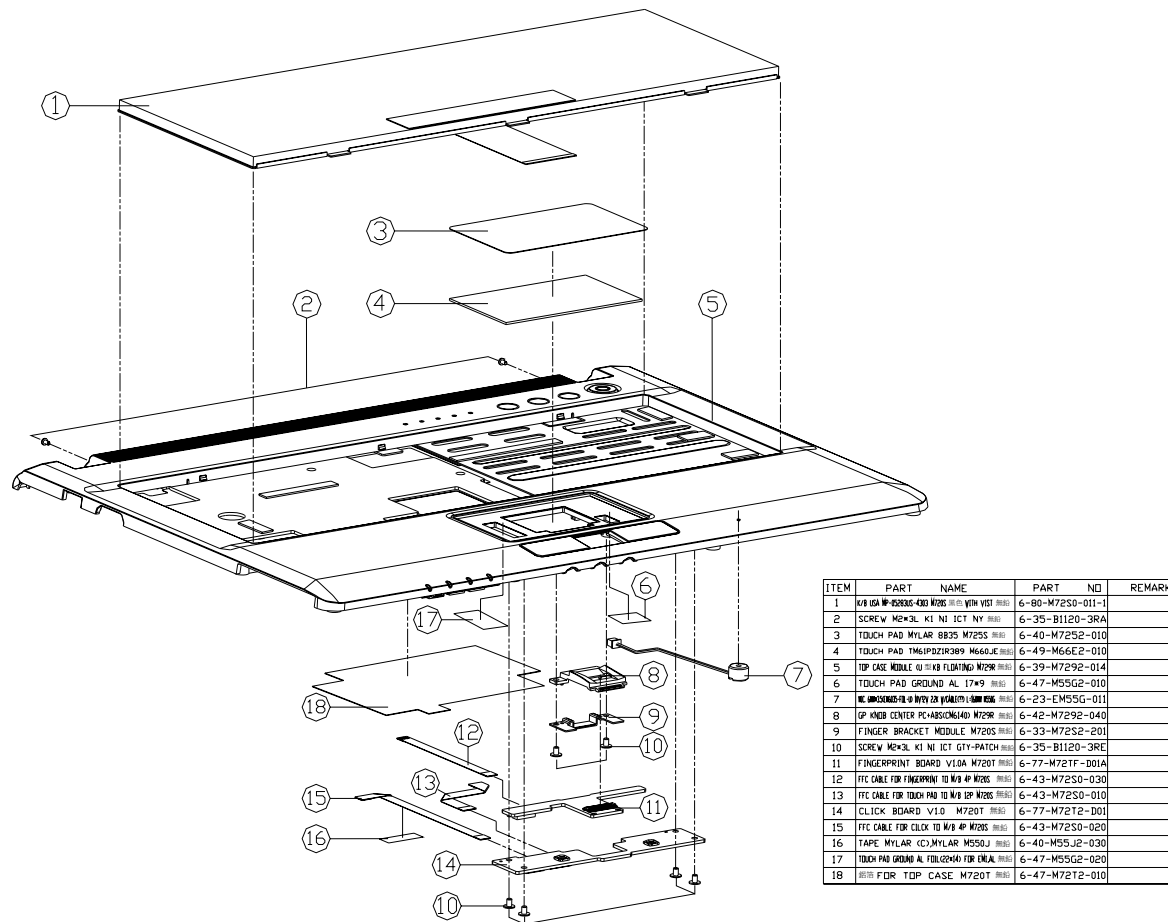
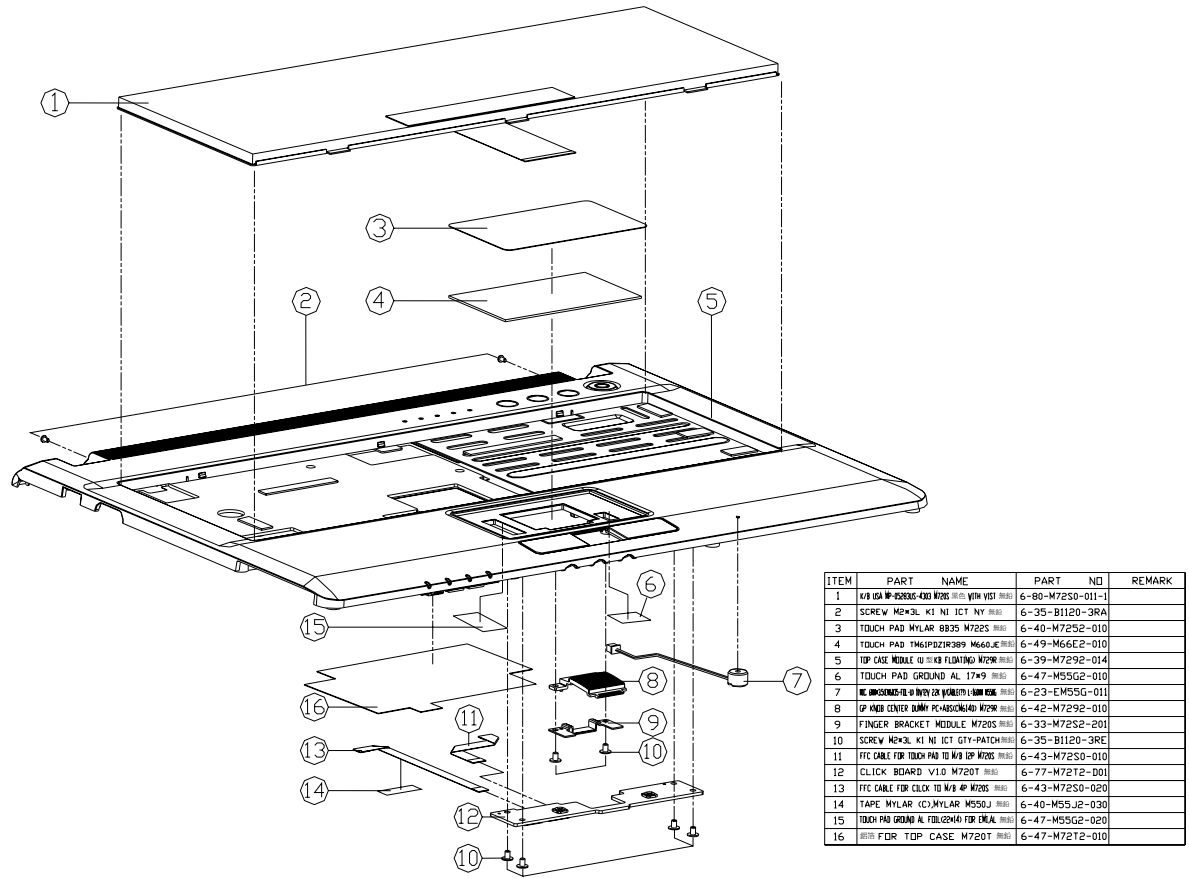


Figure A - 15  
Top with  
Fingerprint  
(M729T)



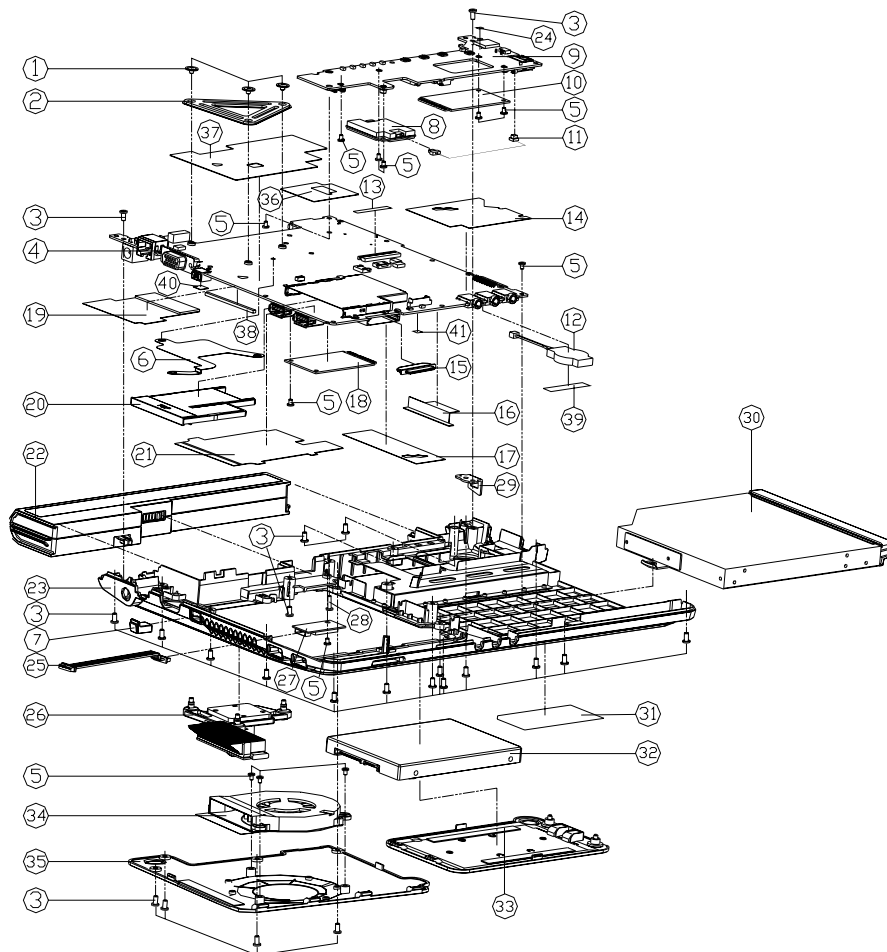
# Top without Fingerprint (M729T)

Figure A - 16  
Top without  
Fingerprint  
(M729T)



ITEM	PART NAME	PART NO	REMARK
1	1/8 DIA W-PDRUG-400 M285	6-80-M72S0-011-1	
2	SCREW M2*3L K1 NI ICT NY	6-35-B1120-3RA	
3	TOUCH PAD MYLAR 8825 M7225	6-40-M72S2-010	
4	TOUCH PAD TMEPPDZIR389 M660JE	6-49-M66E2-010	
5	TOP CASE MIDDLE	6-39-M7292-014	
6	TOUCH PAD GROUND AL 17*9	6-47-M55G2-010	
7	IC UNASSIGNED-FLIP INVERTER	6-23-EM55G-011	
8	IP WEB CENTER DUMMY PCB ASSCMB40 M729	6-42-M7292-010	
9	FINGER BRACKET MODULE M720S	6-33-M72S2-201	
10	SCREW M2*3L K1 NI ICT GTY-PATCH	6-35-B1120-3RE	
11	FFC CABLE FOR TOUCH PAD TO WEB DP M720S	6-43-M72S0-010	
12	CLICK BOARD V1.0 M720T	6-77-M72T2-D01	
13	FFC CABLE FOR CLICK TO WEB DP M720S	6-43-M72S0-020	
14	TAPE MYLAR (C)MYLAR M550J	6-40-M55J2-030	
15	TOUCH PAD GROUND AL FOLG2M40 FOR DR AL	6-47-M55G2-020	
16	FDR TOP CASE M720T	6-47-M72T2-010	

# Bottom (M729T)



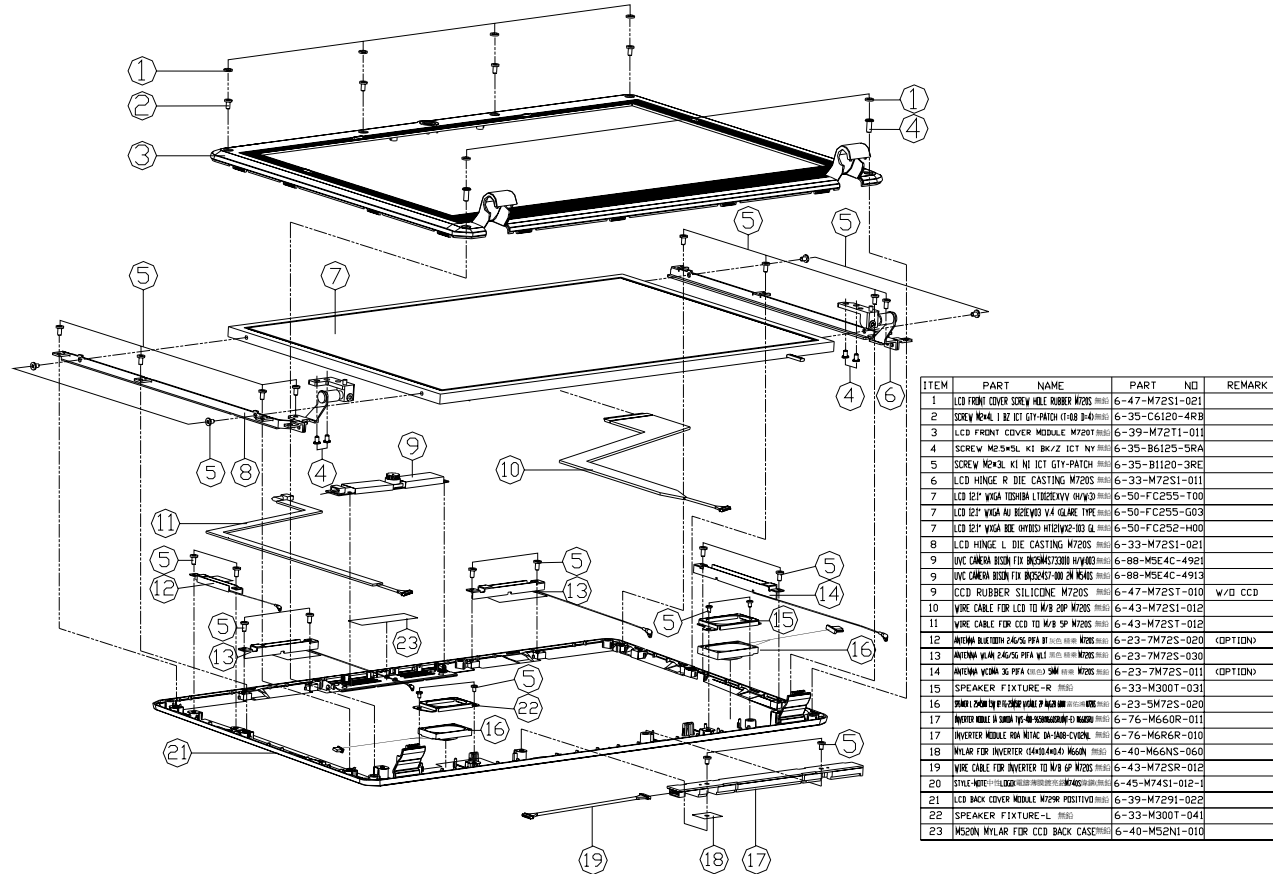
ITEM	PART NAME	PART NO	REMARK
1	45-4025-265 (C0E) B5634 JACKET W/KEY HULL 40	6-35-41025-2R5	
2	CPU SUPPORTER MODULE AL M720S	6-33-M72SS-011	
3	SCREW M2.5X4L KI BK/Z ICT NY	6-35-B612S-5RA	
4	MAIN BOARD V3.0A M720T	6-77-M72T0-D03A	
5	SCREW M2X3L KI NI ICT NY	6-35-B1120-3RA	
6	NORTH BRIDGE HEATSIK MODULE (CPU M720R)	6-31-M72RN-101	
7	1394 RUBBER M720S	6-47-M72SP-010	
8	ANTI-STATIC KEYBOARD MAT (2 PIN) M720T	6-88-L3911-5300	
9	MULTI I/O BOARD V3.0A (W/O 3D) M720T	6-77-M72T1-D03A-I	
10	W/HD HDD REAR COVER/KEYLESS KEY CARD USB 3.0	6-88-M72SW-720	<OPTION>
11	WIRE CABLE FOR R-J-H TO MDC 2P M720S	6-43-M72SU-010	<OPTION>
12	MS20G K/B CONN MYLAR	6-23-2201S-P2C	
13	MS20G K/B CONN MYLAR	6-40-MS2GS-060	
14	MAIN BOARD AL FOIL M730T	6-40-M73TS-0D0	
15	MS20G CARD READER RUBBER	6-47-MS2GB-010	
16	FOR HDD INT MYLAR PROTECT (TERADAT50F) M720S	6-40-M72SZ-010	
17	DDR MYLAR FR83 M730T	6-40-M73TS-060	
18	ISABELLA IN B21A-GW INTEL SHIRLEY PE	6-588-M72T2-4211	
18	ISABELLA IN B21A-GW INTEL SHIRLEY PEAK ICE	6-88-M72T2-4240	<OPTION>
18	ISABELLA IN B21A-GW INTEL SHIRLEY PEAK	6-588-M72T2-4241	<OPTION>
18	ISABELLA IN B21A-GW INTEL SHIRLEY PEAK	6-88-M55S2-7000	<OPTION>
19	NORTH BRIDGE MYLAR (FR83-TERADAT50F) M730T	6-40-M73TS-021	
20	DUMMY NEW CARD PC-ABS T120R	6-42-T12R3-011	
21	NEW CARD MYLAR FR83-TERADAT50F M730T	6-40-M73TS-050	
22	IMP S LI KEY/ARM REP SHIP/MS20G M720S	6-87-M72SS-4DF2	
22	IMP S LI KEY/ARM REP SHIP/MS20G M720S	6-87-M72SS-4D42	
22	IMP S LI KEY/ARM REP SHIP/MS20G M720S	6-87-M72SS-5DF2	
23	BOTTOM CASE MODULE (HDD) M720S	6-39-M72S3-01B	
24	SPEAKER CABLE PASTE (FR83-S010) M720S	6-40-M72S3-010	
25	WIRE CABLE FOR BLUE TOOTH TO W3 8P M720S	6-43-M72SB-010	
26	HEAT SINK MODULE M720SE (CPU M720R)	6-31-M72SN-103	
27	BLUETOOTH V2.0 GBT/ARM AND 8CM 8 PIN USB	6-88-M55A5-620	<OPTION>
27	BLUETOOTH V2.0 GBT/ARM AND 8CM 8 PIN USB	6-88-M55A5-390	<OPTION>
28	SCREW M2X4L KI BK/Z ICT NY	6-35-B6120-6R0	
29	LOCK BRACKET SECC M720S	6-33-M72S3-010	
30	SATA DVD SUPER MULTI 24X/8X SMD	6-79-M72T0-000	
30	SATA DVD COMBO 24X/8X SMD/05953 ) ASSY	6-79-M72TX-000	
31	PRODUCT LABEL FOR M720T	6-45-M72T3-010	
31	PRODUCT LABEL FOR M725T	6-45-M725T-010	
31	PRODUCT LABEL FOR M721T	6-45-M721T-010	
31	PRODUCT LABEL FOR M722T	6-45-M722T-010	
31	PRODUCT LABEL FOR M728T	6-45-M728T-010	
31	PRODUCT LABEL FOR M729T	6-45-M729T-010	
32	W/O HDD ASS'Y M720S	6-79-M72S-J-010	
33	HDD COVER MODULE M720S	6-42-M72S-J-103	
34	FAN MODULE M720S	6-31-M72SS-103	
35	CPU COVER MODULE M720T	6-42-M72TS-100	
36	RED PEA CONNCT MYLAR FOR HD (FR83-TERADAT50F) M730T	6-40-M73TS-040	
37	MYLAR FOR MB (FR83-TERADAT50F) M730T	6-40-M73TS-010	
38	MYLAR-1 FOR MB (S042165) PC M720S	6-40-M72SS-051	
39	TAPE MYLAR (A) MYLAR M550J	6-40-M55J2-010	
40	PROTECT MB MYLAR FR83 M720S	6-40-M72SS-040	

Figure A - 17  
Bottom (M729T)

A.Part Lists

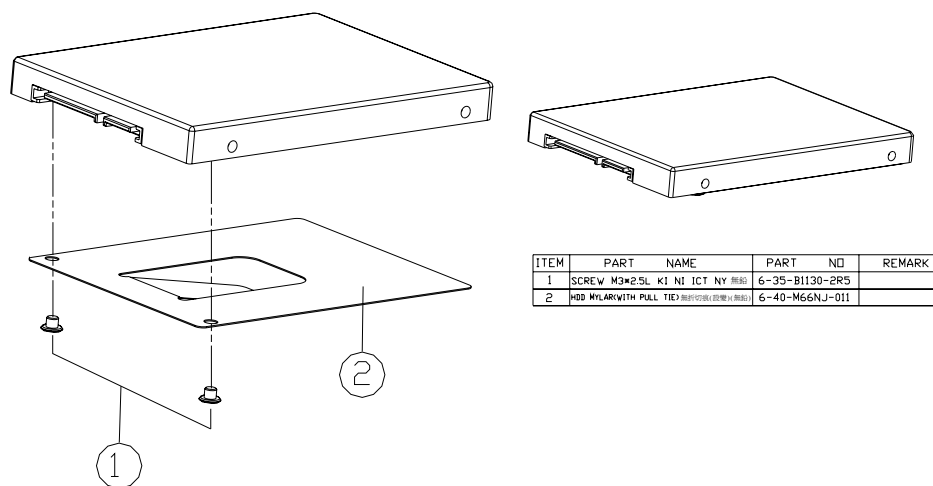
# LCD (M729T)

Figure A - 18  
LCD  
(M729T)



ITEM	PART NAME	PART NO	REMARK
1	LCD FRONT COVER SCREW HOLE RUBBER WZ05	6-47-M72S1-021	
2	SCREW M2x4.1 8Z ICT GY-PATCH (1-88 3-40)	6-35-C6120-4RB	
3	LCD FRONT COVER MIDDLE M720F	6-39-M72T1-011	
4	SCREW M2x5xL KI BK/YZ ICT NY	6-35-B6125-5RA	
5	SCREW M2x3. KI NI ICT GY-PATCH	6-35-B1120-3RE	
6	LCD HINGE R DIE CASTING M720S	6-33-M72S1-011	
7	LCD DEP WGA TOSHIBA L102REXVY 09V3D	6-50-FC255-T00	
7	LCD DEP WGA AU H92EWS V4 K2LAKI TYPE	6-50-FC255-G03	
7	LCD DEP WGA KE 090SD H102V2-003 (L)	6-50-FC252-H00	
8	LCD HINGE L DIE CASTING M720S	6-33-M72S1-021	
9	HYC CAMERA BUSH FR INCOMASTION 09V3D	6-88-M5E4C-492H	
9	HYC CAMERA BUSH FR INCOMASTION 09V3D	6-88-M5E4C-4913	
9	CCD RUBBER SILICONE M720S	6-47-M72S1-010	w/d CCD
10	WIRE CABLE FOR LCD TO M/R 20P M720S	6-43-M72S1-012	
11	WIRE CABLE FOR CCD TO M/R 5P M720S	6-43-M72S1-012	
12	ANTENNA BLUETOOTH 2425L PPA 81	6-23-7M72S-020	(OPTION)
13	ANTENNA WGA 2425G PPA W1	6-23-7M72S-030	
14	ANTENNA WGA 30 PPA (1-10) SM	6-23-7M72S-011	(OPTION)
15	SPEAKER FIXTURE-R	6-33-M300T-031	
16	FRONT COVER FR PRO-3000 V4 M720S	6-23-5M72S-020	
17	INVERTER MODULE 3.3V 1P-09-03000000-000000	6-76-M660R-011	
17	INVERTER MODULE FOR M16C DA-LAB-EVENAL	6-76-M660R-010	
18	NYLAR FIBR INVERTER (40x40x40) M660S	6-40-M660S-060	
19	WIRE CABLE FOR INVERTER TO M/R 6P M720S	6-43-M72SR-012	
20	STAKE-NOTE	6-45-M74S1-012-1	
21	LCD BACK COVER MIDDLE M720R POSITIVE	6-39-M7291-022	
22	SPEAKER FIXTURE-L	6-33-M300T-041	
23	M620N NYLAR FIBR CCD BACK CASE	6-40-M52N1-010	

# HDD (M729T)

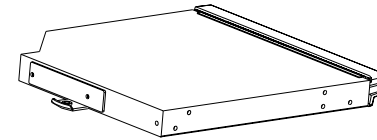
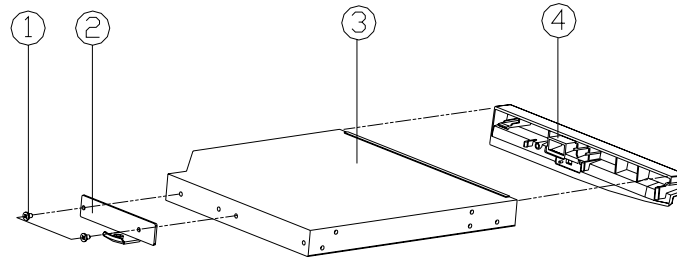


ITEM	PART NAME	PART NO	REMARK
1	SCREW M3*2.5L K1 NI ICT NY 無鉛	6-35-B1130-2R5	
2	HDD MFLARWITH PULL TIE 無鉛	6-40-M66NJ-011	

Figure A - 19  
HDD  
(M729T)

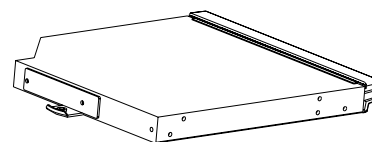
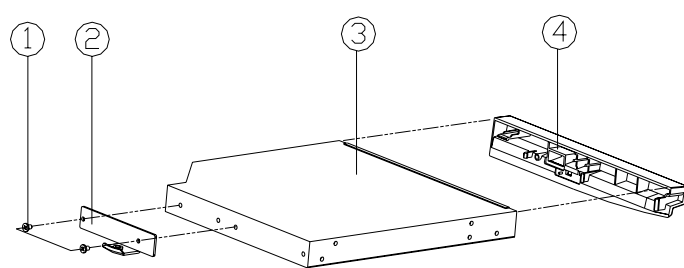
# COMBO (M729T)

Figure A - 20  
COMBO  
(M729T)



ITEM	PART NAME	PART NO	REMARK
1	SCREW M2*3L KI NI ICT GTY-PATCH (REF)	6-35-B1120-3RE	
2	CD-ROM LCK BRACKET SECC M729S (REF)	6-33-M72SZ-010	
3	SATA DVD SUPER MULTI 5 1/4" 24X/8X 12.7MM AD 750S 500 (REF)	6-B5-90724-C00	
3	SATA DVD COMBO 5 1/4" 24X/8X 12.7MM TSST 1 (REF)	6-B5-90724-T00	
4	COMBO 6-BEZEL HDKLET (REF) (REF) (REF) (REF) (REF) (REF)	6-42-M72SX-102-1	

# DVD-Dual Drive (M729T)



ITEM	PART NAME	PART NO	REMARK
1	SCREW M2x3L K1 NI ICT GTY-PATCH	6-35-B1120-3RE	
2	CD-ROM LOCK BRACKET SECC M7205	6-33-M72SZ-010	
3	SATA DVD SUPER MULTI 5 1/4 24X/8X 12.7MM	6-85-A0724-C00	
3	SATA DVD SUPER MULTI 5 1/4 24X/8X 12.7MM	6-85-A0724-T01	
4	SUPER MULTI 6 HEAD 16MBIT	6-42-M72SQ-202-1	

Figure A - 21  
DVD-Dual Drive  
(M729T)





# Top without Fingerprint (M730T)

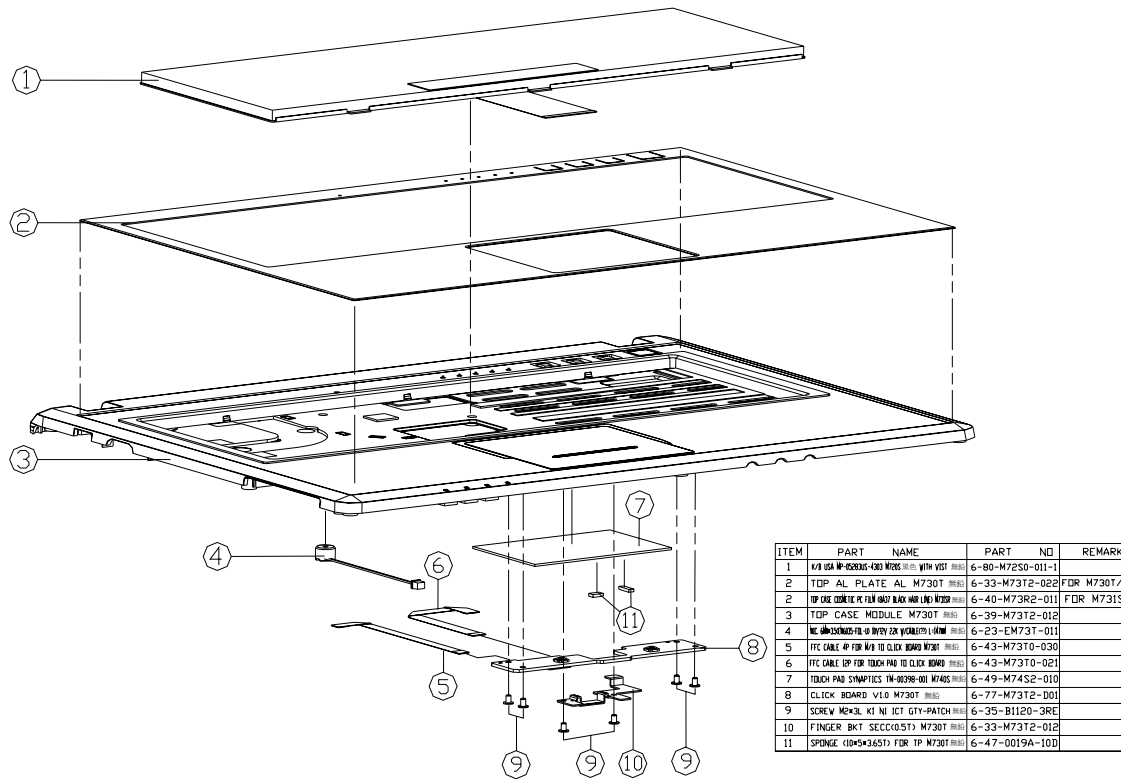


Figure A - 23  
Top without  
Fingerprint  
(M730T)

A.Part Lists



# LCD (M730T)

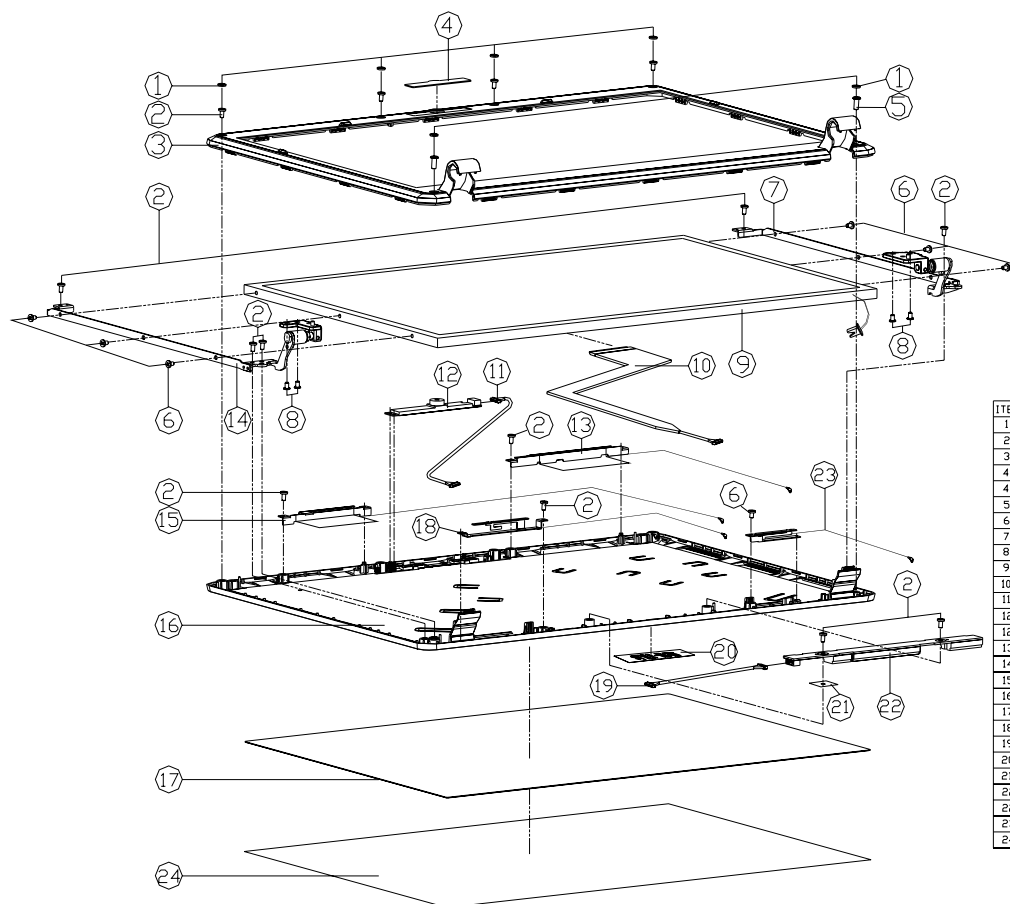


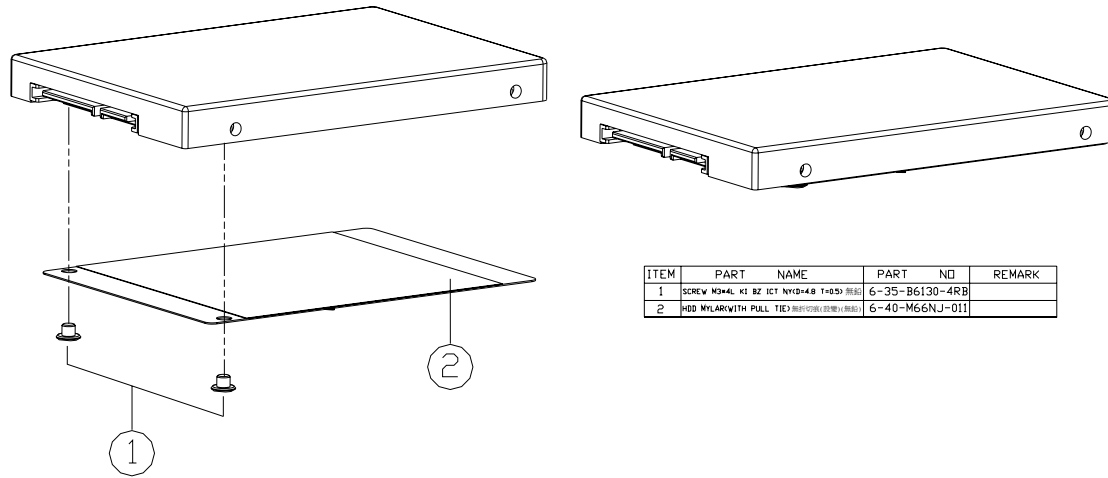
Figure A - 25  
LCD  
(M730T)

ITEM	PART NAME	PART NO	REMARK
1	LCD FRONT COVER SCREW HOLE RUBBER WEDGE	6-47-M72S1-021	
2	SCREW NYLON L RZ KT DTY-PATCH (F-H) D=4	6-35-C6120-4RB	
3	LCD FRONT COVER MODULE M730T	6-39-M73T1-012	
4	CCD COSMETIC PLATE PMMA M730T	6-42-M73T1-010	W/CCD
4	CCD MYLAR FR700 M730T	6-40-M73T1-010	W/D CCD
5	SCREW M2.5*5L K1 BK/2 ICT NY	6-35-B6125-5RA	
6	SCREW NYLON L RZ KT DTY-PATCH (F-H) D=4	6-35-C6120-4RB	
7	LCD HINGE R SECC-SKT*ZN M730T	6-33-M73T1-021	
8	SCREW M2.5*6L K BZ ICT	6-35-B2125-6R0	
9	LCD TFP WGA IN BEZEL V3 GLASS TPO SSW	6-50-G8255-G00	
10	WIRE ONLY FOR LCD BY W/BEZEL V3 GLASS TPO SSW	6-43-M73T1-011	
11	WIRE CABLE W/B TO CCD M730T	6-43-M73T1-011	
12	LVC CAMERA BRACKET FOR M730T-001 ON W/PART	6-08-M740C-4921	
12	LVC CAMERA BRACKET FOR M730T-001 ON W/PART	6-08-M740C-4911	
13	HINGE L M730T/M730T	6-23-7M73T-050	(OPTION)
14	LCD HINGE L SECC-SKT*ZN M730T	6-33-M73T1-032	
15	HINGE R M730T/M730T	6-23-7M73T-031	(OPTION)
16	LCD BACK COVER MODULE M730T	6-39-M73T1-022	
17	BACK COVER COSMETIC PLATE AL M730T	6-33-M73T1-011	
18	HINGE R M730T/M730T	6-23-7M73T-021	
19	CABLE FOR INVERTER M730T	6-43-M73TR-011	
20	ITYPE-NOTEBOOK	6-45-M74S1-012-1	
21	MYLAR FOR INVERTER (SH4040) M650	6-40-M66NS-060	
22	INVERTER MODULE FOR M730T	6-76-M66OR-011	
22	INVERTER MODULE FOR M730T	6-76-M66R6-010	
23	HINGE L M730T/M730T	6-23-7M73T-011	
24	BACK COVER PROTECT MYLAR (B85) M730T	6-40-M73T1-020	

A.Part Lists

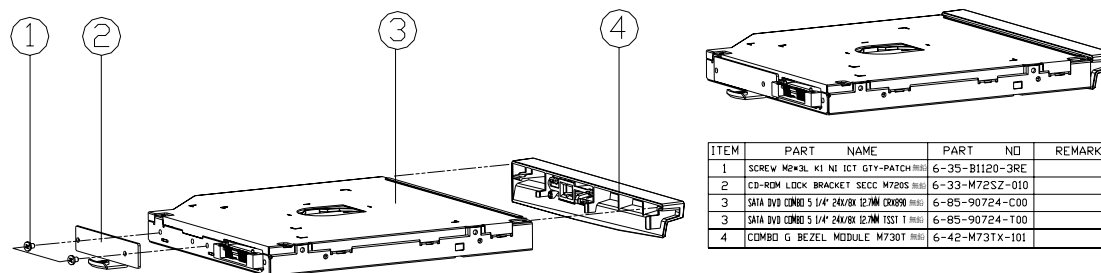
# HDD (M730T)

Figure A - 26  
HDD  
(M730T)



ITEM	PART NAME	PART NO	REMARK
1	SCREW M3*4L KI BZ ICT NYD#48 T=0.55 REF3	6-35-B6130-4RB	
2	HDD MYLAR(WITH PULL TIE) REF3(REF4) REF5	6-40-M66NJ-011	

# COMBO (M730T)



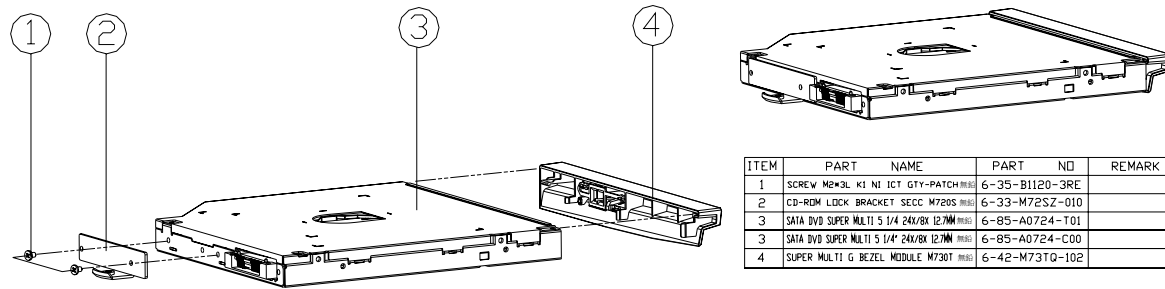
ITEM	PART NAME	PART NO	REMARK
1	SCREW M2*3L KI NI ICT GTY-PATCH (R)(E)	6-35-B1120-3RE	
2	CD-ROM LOCK BRACKET SECC M720S (R)(E)	6-33-M72SZ-010	
3	SATA DVD COMBO 5.14" 24X/8X 12.7MM CR2000 (R)(E)	6-B5-90724-C00	
3	SATA DVD COMBO 5.14" 24X/8X 12.7MM TSST 1 (R)(E)	6-B5-90724-T00	
4	COMBO G BEZEL MODULE M730T (R)(E)	6-42-M73TX-101	

Figure A - 27  
COMBO  
(M730T)



## DVD-Dual Drive (M730T)

Figure A - 28  
DVD-Dual Drive  
(M730T)



ITEM	PART NAME	PART NO	REMARK
1	SCREW M2x3L KI NI 1CT GY-PATCH (HIS)	6-35-B1120-3RE	
2	CD-ROM LOCK BRACKET SECC M720S (HIS)	6-33-M72SZ-010	
3	SATA DVD SUPER MULTI 5 1/4 24x8x12.7MM (HIS)	6-85-A0724-T01	
3	SATA DVD SUPER MULTI 5 1/4 24x8x12.7MM (HIS)	6-85-A0724-C00	
4	SUPER MULTI G BEZEL MODULE M730T (HIS)	6-42-M73T0-102	

# Appendix B: Schematic Diagrams

This appendix has circuit diagrams of the *M720T/M728T/M729T/M730T* notebook's PCB's. The following table indicates where to find the appropriate schematic diagram.

Diagram - Page	Diagram - Page	Diagram - Page
<i>System Block Diagram - Page B - 2</i>	<i>ICH9-M 3/5 - GPIO, PWR Management - Page B - 16</i>	<i>Power 1.5VS, 1.05VS, 3.3V, 5V - Page B - 30</i>
<i>Intel Penryn (Socket-P) 1/2 - Page B - 3</i>	<i>ICH9-M 4/5 - Power - Page B - 17</i>	<i>Power 1.8V, 0.9VSM - Page B - 31</i>
<i>Intel Penryn (Socket-P) 2/2 - Page B - 4</i>	<i>ICH9-M 5/5 - GND - Page B - 18</i>	<i>Power V CORE - Page B - 32</i>
<i>Cantiga 1/6 - Host - Page B - 5</i>	<i>Clock Generator - Page B - 19</i>	<i>Power AC-IN, Charger - Page B - 33</i>
<i>Cantiga 2/6 - VGA, CRT - Page B - 6</i>	<i>Multi I/O, ODD, CCD, BT, TPM - Page B - 20</i>	<i>Multi I/O Board 1/2 - Page B - 34</i>
<i>Cantiga 3/6 - DDR - Page B - 7</i>	<i>New Card, Mini PCIE - Page B - 21</i>	<i>Multi I/O Board 2/2 - Page B - 35</i>
<i>Cantiga 4/6 - Power - Page B - 8</i>	<i>LED, FAN, TP, FP, USB - Page B - 22</i>	<i>Finger Printer Board - Page B - 36</i>
<i>Cantiga 5/6 - Power - Page B - 9</i>	<i>JMB385 Card Reader - Page B - 23</i>	<i>Click Board - Page B - 37</i>
<i>Cantiga 6/6 - GND - Page B - 10</i>	<i>PCI-E LAN RTL8111C - Page B - 24</i>	<i>M730T ODD Bridge Board - Page B - 38</i>
<i>DDRII CHANNEL A - Page B - 11</i>	<i>Audio Codec ALC662 - Page B - 25</i>	<i>M730T Audio Board - Page B - 39</i>
<i>DDRII CHANNEL B - Page B - 12</i>	<i>Audio AMP2056 - Page B - 26</i>	<i>Power Sequence Diagram - Page B - 40</i>
<i>Panel, Inverter, CRT - Page B - 13</i>	<i>KBC-ITE IT8512E - Page B - 27</i>	<i>Power Sequence v3.0 - Page B - 41</i>
<i>ICH9-M 1/5 - SATA - Page B - 14</i>	<i>System Power, LED BKLT - Page B - 28</i>	
<i>ICH9-M 2/5 - PCIE, PCI, USB - Page B - 15</i>	<i>Power VDD3, VDD5 - Page B - 29</i>	

*Table B - 1*  
**Schematic Diagrams**

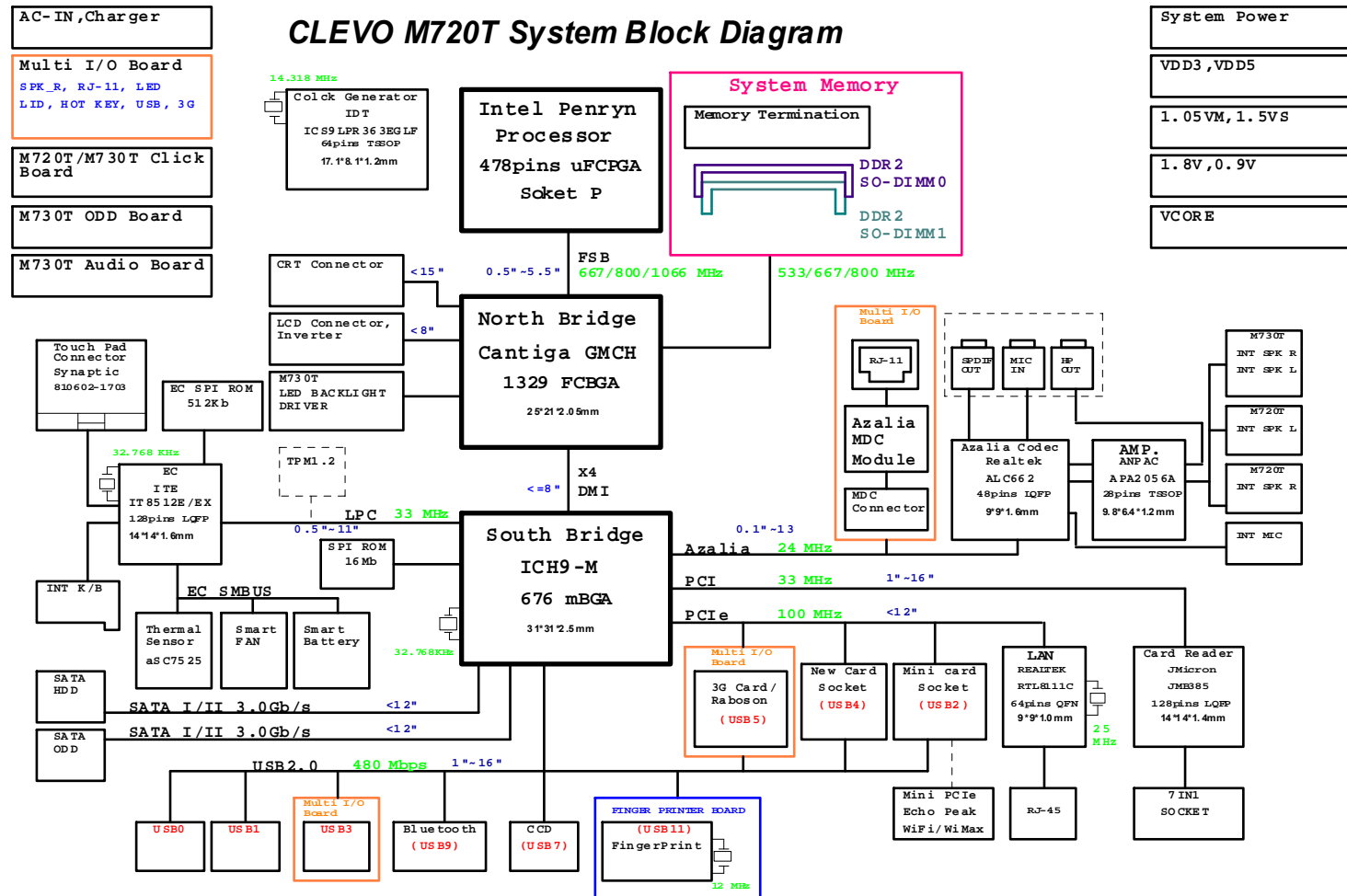


### Version Note

The schematic diagrams in this chapter are based upon version 6-7P-M72T6-005. If your mainboard (or other boards) are a later version, please check with the Service Center for updated diagrams (if required).

# System Block Diagram

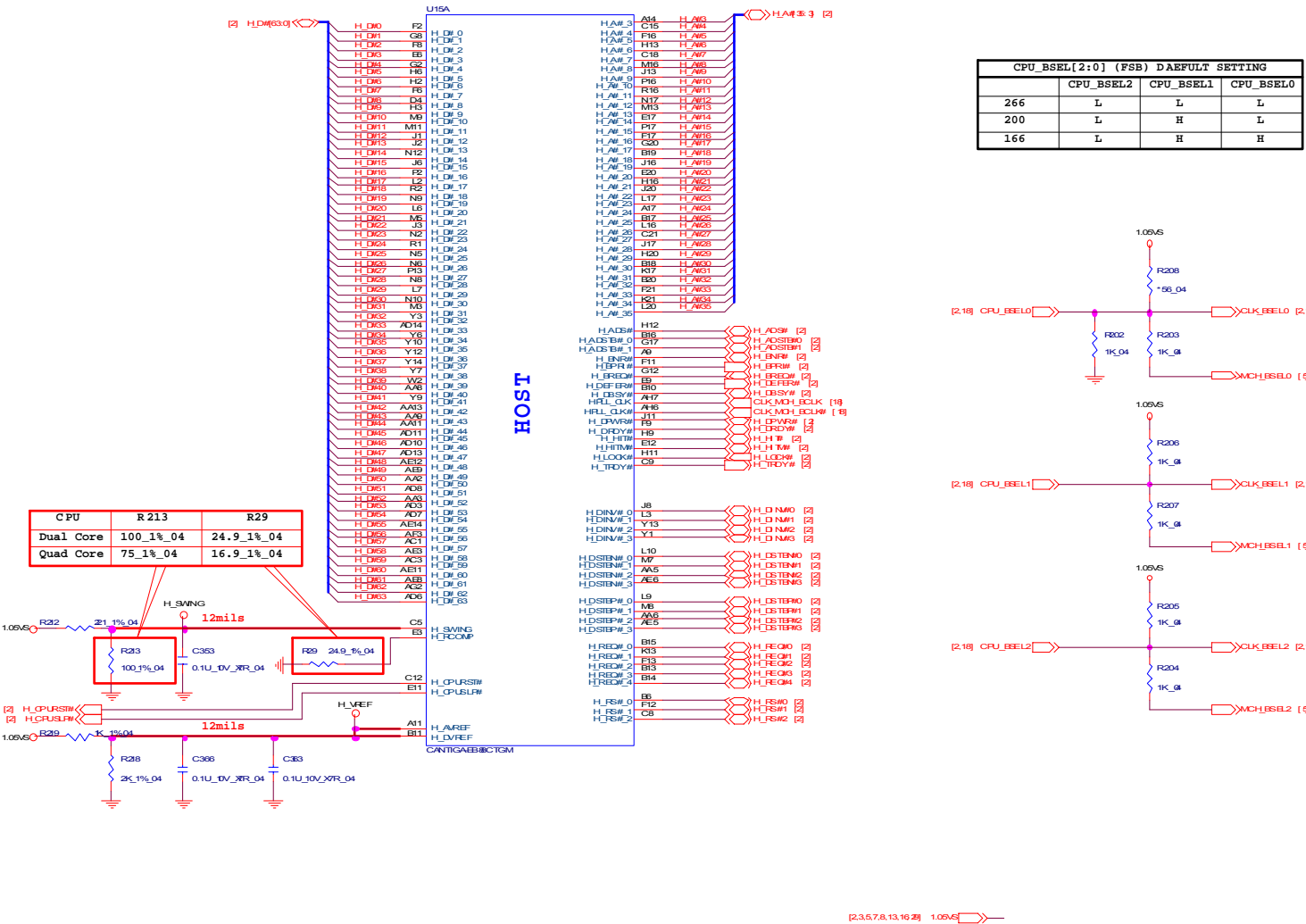
Sheet 1 of 40  
System Block  
Diagram







# Cantiga 1/6 - Host



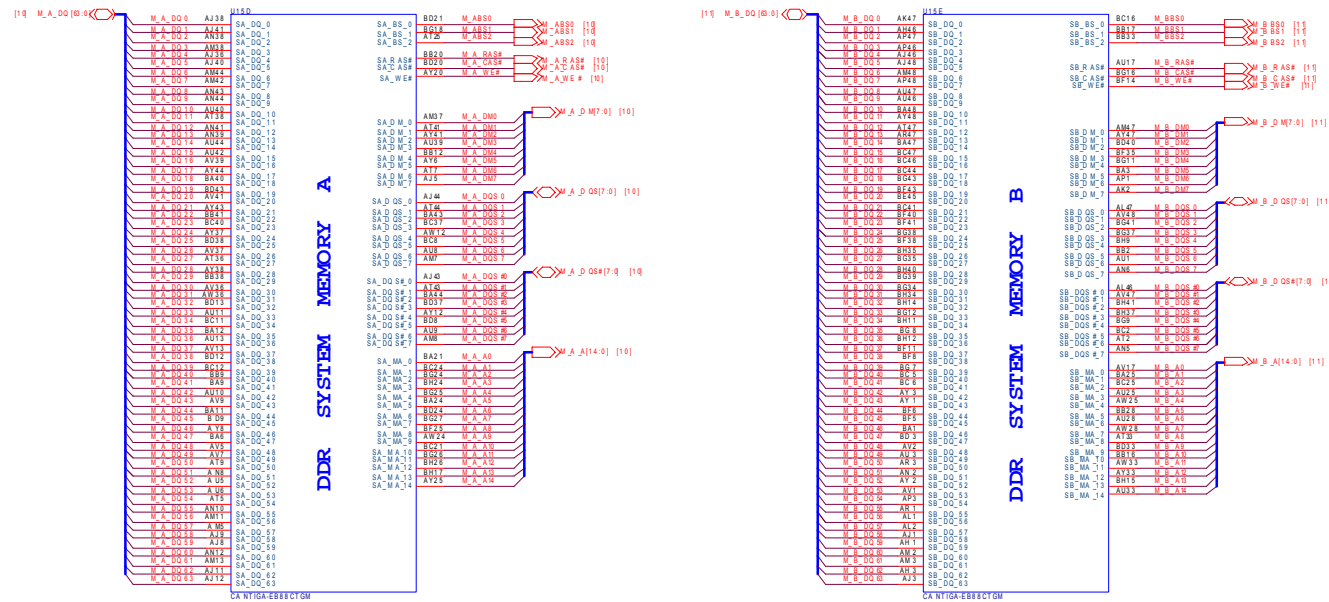
Sheet 4 of 40  
Cantiga 1/6 - Host

B.Schematic Diagrams



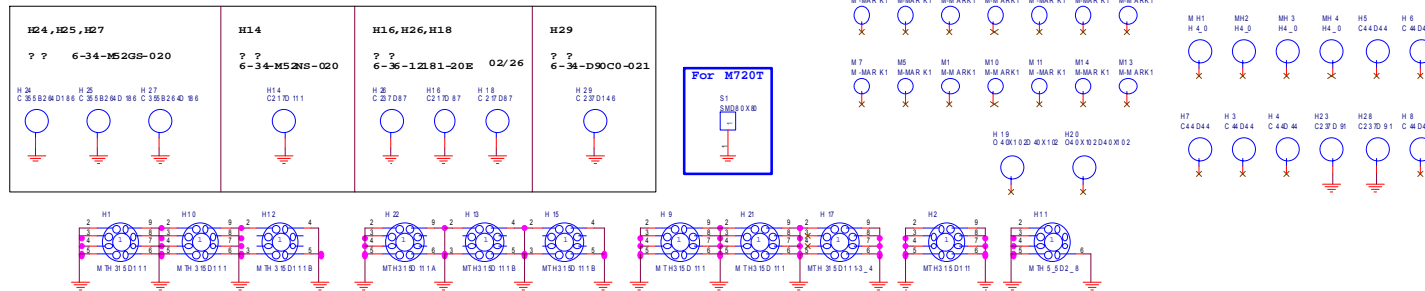


# Cantiga 3/6 - DDR



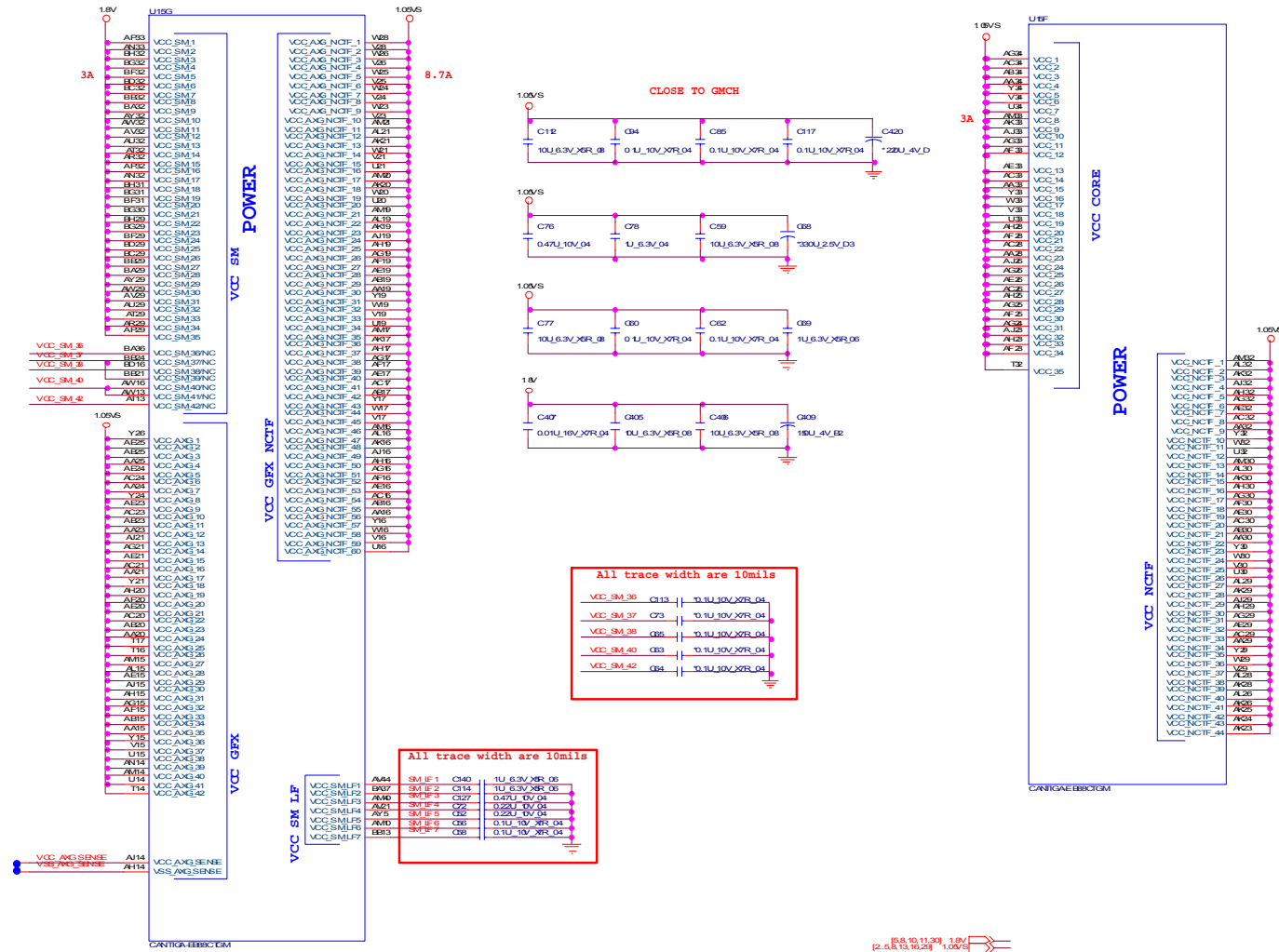
Sheet 6 of 40  
Cantiga 3/6 -DDR

B.Schematic Diagrams



# Cantiga 4/6 - Power

Sheet 7 of 40  
Cantiga 4/6 - Power



(5,8,10,11,30) 1.8V  
(2,6,11,13,10,28) 1.05V



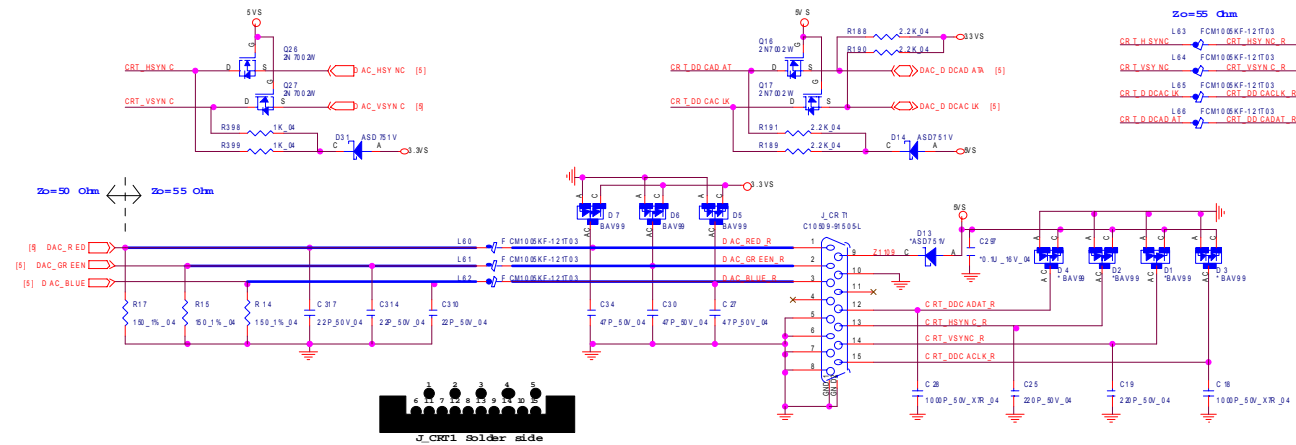






# Panel, Inverter, CRT

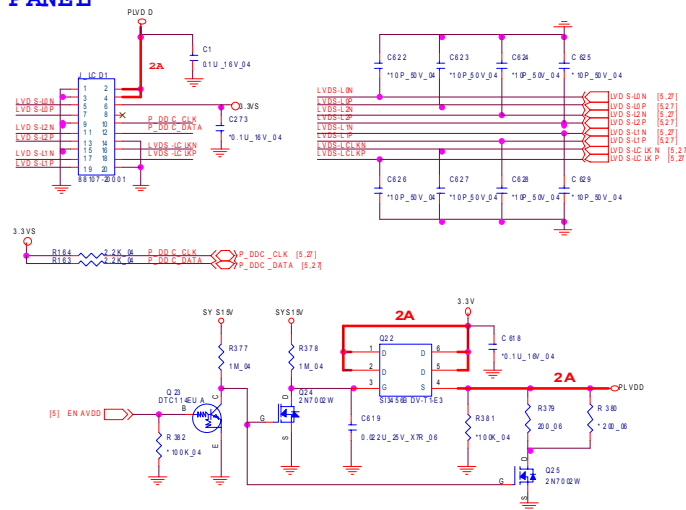
## CRT



Sheet 12 of 40  
Panel, Inverter,  
CRT

B.Schematic Diagrams

## PANEL



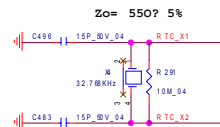
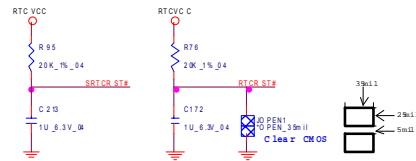
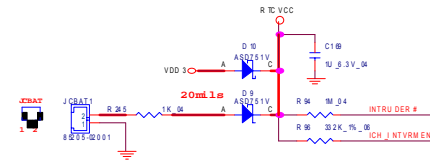


# Schematic Diagrams

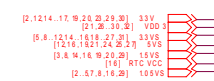
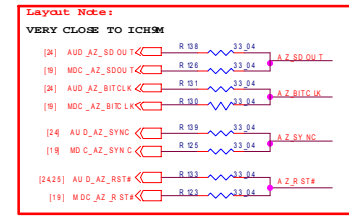
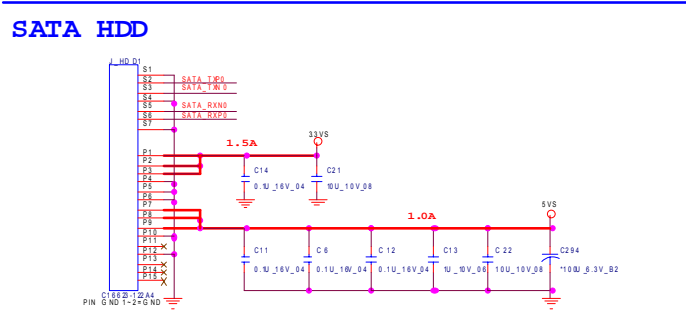
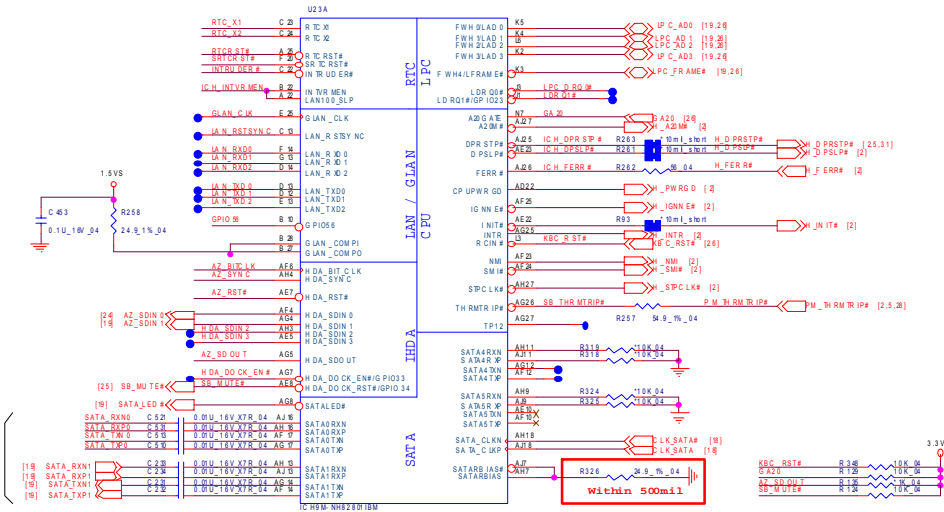
## ICH9-M 1/5 - SATA

B.Schematic Diagrams

Sheet 13 of 40  
ICH9-M 1/5 - SATA



Zo= 550? 5%  
zdiff= 1000? 0%



# ICH9-M 2/5 - PCIE, PCI, USB

Bot BIG Strap			
	Strap	PCI_GNT#0	SPI_CS1#
SPI	01	Stuff	No stuff
PCI	10	No stuff	Stuff
IPC(default)	11	No stuff	No stuff



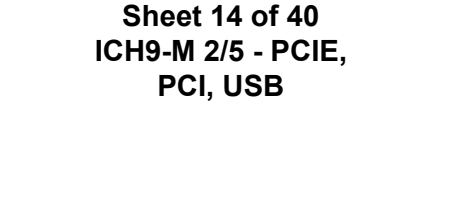
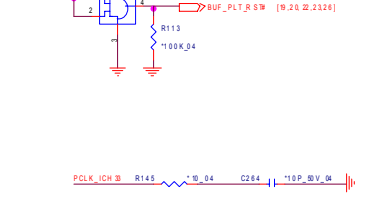
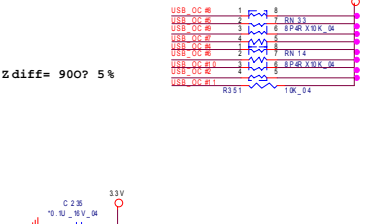
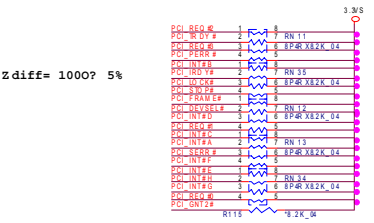
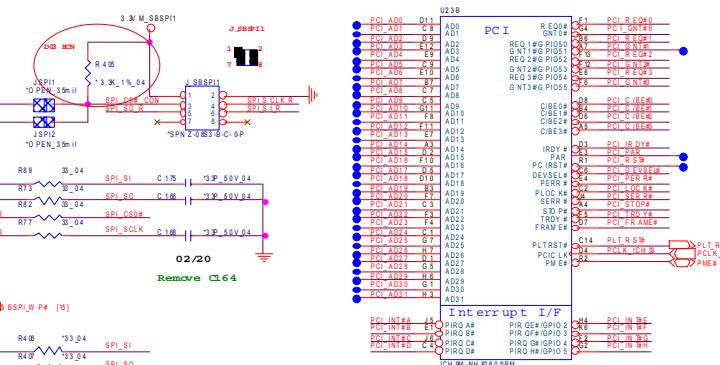
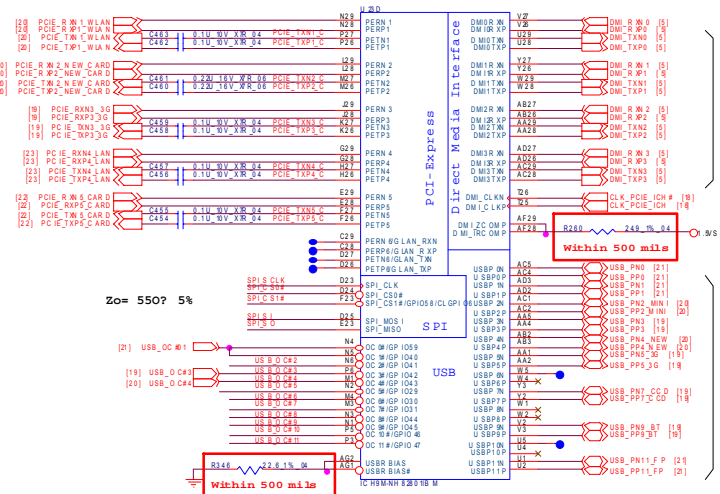
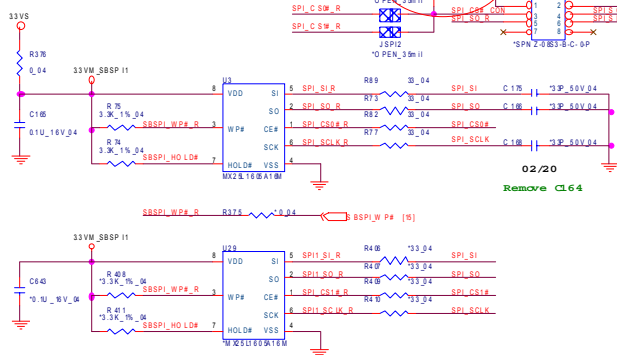
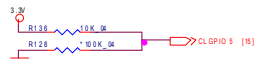
PCI_GNT#1		A16 swap override Strap	
Stuff	Enable	Disable	Default
No stuff	Disable	Default	



SPI_SI		ITM Enable	
Stuff	Enable	Disable	Default
No stuff	Disable	Default	



CLGPEOS		ITM Enable	
HIGH	Enable	Disable	Default
LOW	Disable	Default	



Sheet 14 of 40  
ICH9-M 2/5 - PCIE,  
PCI, USB

B.Schematic Diagrams





# Schematic Diagrams

## ICH9-M 5/5 - GND

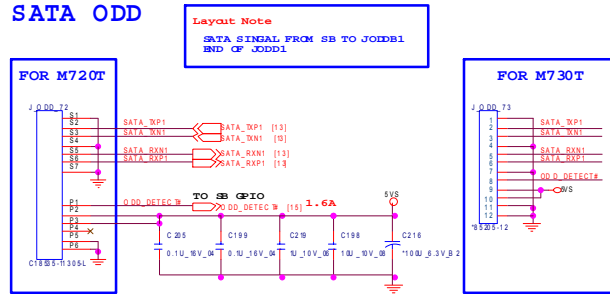
Sheet 17 of 40  
ICH9-M 5/5 - GND

U2:3E		
AK6	VSS10	VSS 107
AK7	VSS9	VSS 108
AK3	VSS5	VSS 109
AK4	VSS4	VSS 110
AK5	VSS3	VSS 111
AK2	VSS2	VSS 112
AK1	VSS1	VSS 113
AB9	VSS7	VSS 114
AB8	VSS6	VSS 115
AB5	VSS3	VSS 116
AB4	VSS2	VSS 117
AB3	VSS1	VSS 118
AC17	VSS10	VSS 119
AC25	VSS11	VSS 120
AC27	VSS12	VSS 121
AC28	VSS13	VSS 122
AC3	VSS14	VSS 123
AD1	VSS15	VSS 124
AD10	VSS16	VSS 125
AD11	VSS17	VSS 126
AD12	VSS18	VSS 127
AD13	VSS19	VSS 128
AD14	VSS20	VSS 129
AD15	VSS21	VSS 130
AD16	VSS22	VSS 131
AD17	VSS23	VSS 132
AD18	VSS24	VSS 133
AD19	VSS25	VSS 134
AD20	VSS26	VSS 135
AD21	VSS27	VSS 136
AD22	VSS28	VSS 137
AD23	VSS29	VSS 138
AD24	VSS30	VSS 139
AD25	VSS31	VSS 140
AD26	VSS32	VSS 141
AD27	VSS33	VSS 142
AD28	VSS34	VSS 143
AD29	VSS35	VSS 144
AD30	VSS36	VSS 145
AD31	VSS37	VSS 146
AD32	VSS38	VSS 147
AD33	VSS39	VSS 148
AD34	VSS40	VSS 149
AD35	VSS41	VSS 150
AD36	VSS42	VSS 151
AD37	VSS43	VSS 152
AD38	VSS44	VSS 153
AD39	VSS45	VSS 154
AD40	VSS46	VSS 155
AD41	VSS47	VSS 156
AD42	VSS48	VSS 157
AD43	VSS49	VSS 158
AD44	VSS50	VSS 159
AD45	VSS51	VSS 160
AD46	VSS52	VSS 161
AD47	VSS53	VSS 162
AD48	VSS54	VSS 163
AD49	VSS55	VSS 164
AD50	VSS56	VSS 165
AD51	VSS57	VSS 166
AD52	VSS58	VSS 167
AD53	VSS59	VSS 168
AD54	VSS60	VSS 169
AD55	VSS61	VSS 170
AD56	VSS62	VSS 171
AD57	VSS63	VSS 172
AD58	VSS64	VSS 173
AD59	VSS65	VSS 174
AD60	VSS66	VSS 175
AD61	VSS67	VSS 176
AD62	VSS68	VSS 177
AD63	VSS69	VSS 178
AD64	VSS70	VSS 179
AD65	VSS71	VSS 180
AD66	VSS72	VSS 181
AD67	VSS73	VSS 182
AD68	VSS74	VSS 183
AD69	VSS75	VSS 184
AD70	VSS76	VSS 185
AD71	VSS77	VSS 186
AD72	VSS78	VSS 187
AD73	VSS79	VSS 188
AD74	VSS80	VSS 189
AD75	VSS81	VSS 190
AD76	VSS82	VSS 191
AD77	VSS83	VSS 192
AD78	VSS84	VSS 193
AD79	VSS85	VSS 194
AD80	VSS86	VSS 195
AD81	VSS87	VSS 196
AD82	VSS88	VSS 197
AD83	VSS89	VSS 198
AD84	VSS90	VSS 199
AD85	VSS91	VSS 200
AD86	VSS92	VSS 201
AD87	VSS93	VSS 202
AD88	VSS94	VSS 203
AD89	VSS95	VSS 204
AD90	VSS96	VSS 205
AD91	VSS97	VSS 206
AD92	VSS98	VSS 207
AD93	VSS99	VSS 208
AD94	VSS100	VSS 209
AD95	VSS101	VSS 210
AD96	VSS102	VSS 211
AD97	VSS103	VSS 212
AD98	VSS104	VSS 213
AD99	VSS105	VSS 214
AD100	VSS106	VSS 215
AD101	VSS107	VSS 216
AD102	VSS108	VSS 217
AD103	VSS109	VSS 218
AD104	VSS110	VSS 219
AD105	VSS111	VSS 220
AD106	VSS112	VSS 221
AD107	VSS113	VSS 222
AD108	VSS114	VSS 223
AD109	VSS115	VSS 224
AD110	VSS116	VSS 225
AD111	VSS117	VSS 226
AD112	VSS118	VSS 227
AD113	VSS119	VSS 228
AD114	VSS120	VSS 229
AD115	VSS121	VSS 230
AD116	VSS122	VSS 231
AD117	VSS123	VSS 232
AD118	VSS124	VSS 233
AD119	VSS125	VSS 234
AD120	VSS126	VSS 235
AD121	VSS127	VSS 236
AD122	VSS128	VSS 237
AD123	VSS129	VSS 238
AD124	VSS130	VSS 239
AD125	VSS131	VSS 240
AD126	VSS132	VSS 241
AD127	VSS133	VSS 242
AD128	VSS134	VSS 243
AD129	VSS135	VSS 244
AD130	VSS136	VSS 245
AD131	VSS137	VSS 246
AD132	VSS138	VSS 247
AD133	VSS139	VSS 248
AD134	VSS140	VSS 249
AD135	VSS141	VSS 250
AD136	VSS142	VSS 251
AD137	VSS143	VSS 252
AD138	VSS144	VSS 253
AD139	VSS145	VSS 254
AD140	VSS146	VSS 255
AD141	VSS147	VSS 256
AD142	VSS148	VSS 257
AD143	VSS149	VSS 258
AD144	VSS150	VSS 259
AD145	VSS151	VSS 260
AD146	VSS152	VSS 261
AD147	VSS153	VSS 262
AD148	VSS154	VSS 263
AD149	VSS155	VSS 264
AD150	VSS156	VSS 265
AD151	VSS157	VSS 266
AD152	VSS158	VSS 267
AD153	VSS159	VSS 268
AD154	VSS160	VSS 269
AD155	VSS161	VSS 270
AD156	VSS162	VSS 271
AD157	VSS163	VSS 272
AD158	VSS164	VSS 273
AD159	VSS165	VSS 274
AD160	VSS166	VSS 275
AD161	VSS167	VSS 276
AD162	VSS168	VSS 277
AD163	VSS169	VSS 278
AD164	VSS170	VSS 279
AD165	VSS171	VSS 280
AD166	VSS172	VSS 281
AD167	VSS173	VSS 282
AD168	VSS174	VSS 283
AD169	VSS175	VSS 284
AD170	VSS176	VSS 285
AD171	VSS177	VSS 286
AD172	VSS178	VSS 287
AD173	VSS179	VSS 288
AD174	VSS180	VSS 289
AD175	VSS181	VSS 290
AD176	VSS182	VSS 291
AD177	VSS183	VSS 292
AD178	VSS184	VSS 293
AD179	VSS185	VSS 294
AD180	VSS186	VSS 295
AD181	VSS187	VSS 296
AD182	VSS188	VSS 297
AD183	VSS189	VSS 298
AD184	VSS190	VSS 299
AD185	VSS191	VSS 300
AD186	VSS192	VSS 301
AD187	VSS193	VSS 302
AD188	VSS194	VSS 303
AD189	VSS195	VSS 304
AD190	VSS196	VSS 305
AD191	VSS197	VSS 306
AD192	VSS198	VSS 307
AD193	VSS199	VSS 308
AD194	VSS200	VSS 309
AD195	VSS201	VSS 310
AD196	VSS202	VSS 311
AD197	VSS203	VSS 312
AD198	VSS204	VSS 313
AD199	VSS205	VSS 314
AD200	VSS206	VSS 315
AD201	VSS207	VSS 316
AD202	VSS208	VSS 317
AD203	VSS209	VSS 318
AD204	VSS210	VSS 319
AD205	VSS211	VSS 320
AD206	VSS212	VSS 321
AD207	VSS213	VSS 322
AD208	VSS214	VSS 323
AD209	VSS215	VSS 324
AD210	VSS216	VSS 325
AD211	VSS217	VSS 326
AD212	VSS218	VSS 327
AD213	VSS219	VSS 328
AD214	VSS220	VSS 329
AD215	VSS221	VSS 330
AD216	VSS222	VSS 331
AD217	VSS223	VSS 332
AD218	VSS224	VSS 333
AD219	VSS225	VSS 334
AD220	VSS226	VSS 335
AD221	VSS227	VSS 336
AD222	VSS228	VSS 337
AD223	VSS229	VSS 338
AD224	VSS230	VSS 339
AD225	VSS231	VSS 340
AD226	VSS232	VSS 341
AD227	VSS233	VSS 342
AD228	VSS234	VSS 343
AD229	VSS235	VSS 344
AD230	VSS236	VSS 345
AD231	VSS237	VSS 346
AD232	VSS238	VSS 347
AD233	VSS239	VSS 348
AD234	VSS240	VSS 349
AD235	VSS241	VSS 350
AD236	VSS242	VSS 351
AD237	VSS243	VSS 352
AD238	VSS244	VSS 353
AD239	VSS245	VSS 354
AD240	VSS246	VSS 355
AD241	VSS247	VSS 356
AD242	VSS248	VSS 357
AD243	VSS249	VSS 358
AD244	VSS250	VSS 359
AD245	VSS251	VSS 360
AD246	VSS252	VSS 361
AD247	VSS253	VSS 362
AD248	VSS254	VSS 363
AD249	VSS255	VSS 364
AD250	VSS256	VSS 365
AD251	VSS257	VSS 366
AD252	VSS258	VSS 367
AD253	VSS259	VSS 368
AD254	VSS260	VSS 369
AD255	VSS261	VSS 370
AD256	VSS262	VSS 371
AD257	VSS263	VSS 372
AD258	VSS264	VSS 373
AD259	VSS265	VSS 374
AD260	VSS266	VSS 375
AD261	VSS267	VSS 376
AD262	VSS268	VSS 377
AD263	VSS269	VSS 378
AD264	VSS270	VSS 379
AD265	VSS271	VSS 380
AD266	VSS272	VSS 381
AD267	VSS273	VSS 382
AD268	VSS274	VSS 383
AD269	VSS275	VSS 384
AD270	VSS276	VSS 385
AD271	VSS277	VSS 386
AD272	VSS278	VSS 387
AD273	VSS279	VSS 388
AD274	VSS280	VSS 389
AD275	VSS281	VSS 390
AD276	VSS282	VSS 391
AD277	VSS283	VSS 392
AD278	VSS284	VSS 393
AD279	VSS285	VSS 394
AD280	VSS286	VSS 395
AD281	VSS287	VSS 396
AD282	VSS288	VSS 397
AD283	VSS289	VSS 398
AD284	VSS290	VSS 399
AD285	VSS291	VSS 400
AD286	VSS292	VSS 401
AD287	VSS293	VSS 402
AD288	VSS294	VSS 403
AD289	VSS295	VSS 404
AD290	VSS296	VSS 405
AD291	VSS297	VSS 406
AD292	VSS298	VSS 407
AD293	VSS299	VSS 408
AD294	VSS300	VSS 409
AD295	VSS301	VSS 410
AD296	VSS302	VSS 411
AD297	VSS303	VSS 412
AD298	VSS304	VSS 413
AD299	VSS305	VSS 414
AD300	VSS306	VSS 415
AD301	VSS307	VSS 416
AD302	VSS308	VSS 417
AD303	VSS309	VSS 418
AD304	VSS310	VSS 419
AD305	VSS311	VSS 420
AD306	VSS312	VSS 421
AD307	VSS313	VSS 422
AD308	VSS314	VSS 423
AD309	VSS315	VSS 424
AD310	VSS316	VSS 425
AD311	VSS317	VSS 426
AD312	VSS318	VSS 427
AD313	VSS319	VSS 428
AD314	VSS320	VSS 429
AD315	VSS321	VSS 430
AD316	VSS322	VSS 431
AD317	VSS323	VSS 432
AD318	VSS324	VSS 433
AD319	VSS325	VSS 434
AD320	VSS326	VSS 435
AD321	VSS327	VSS 436
AD322	VSS328	VSS 437
AD323	VSS329	VSS 438
AD324	VSS330	VSS 439
AD325	VSS331	VSS 440
AD326	VSS332	VSS 441
AD327	VSS333	VSS 442
AD328	VSS334	VSS 443
AD329	VSS335	VSS 444
AD330	VSS336	VSS 445
AD331	VSS337	VSS 446
AD332	VSS338	VSS 447
AD333	VSS339	VSS 448
AD334	VSS340	VSS 449
AD335	VSS341	VSS 450
AD336	VSS342	VSS 451
AD337	VSS343	VSS 452
AD338	VSS344	VSS 453
AD339	VSS345	VSS 454
AD340	VSS346	VSS 455
AD341	VSS347	VSS 456
AD342	VSS348	VSS 457
AD343	VSS349	VSS 458
AD344	VSS350	VSS 459
AD345	VSS351	VSS 460
AD346	VSS352	VSS 461
AD347	VSS353	VSS 462
AD348	VSS354	VSS 463
AD349	VSS355	VSS 464
AD350	VSS356	VSS 465
AD351	VSS357	VSS 466
AD352	VSS358	VSS 467
AD353	VSS359	VSS 468
AD354	VSS360	VSS 469
AD355	VSS361	VSS 470
AD356	VSS362	VSS 471
AD357	VSS363	VSS 472
AD358	VSS364	VSS 473
AD359	VSS365	VSS 474
AD360	VSS366	VSS 475
AD361	VSS367	VSS 476
AD362	VSS368	VSS 477
AD363	VSS369	VSS 478
AD364	VSS370	VSS 479
AD365	VSS371	VSS 480
AD366	VSS372	

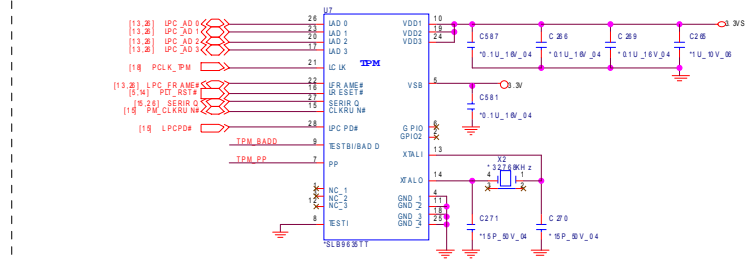


# Multi I/O, ODD, CCD, BT, TPM

## SATA ODD

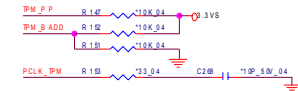


## TPM 1.2

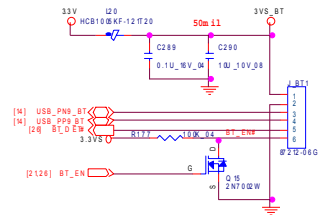


Asserted before entering S3  
LRC reset timing:  
LPCPD# inactive to IRS# inactive 32-96us

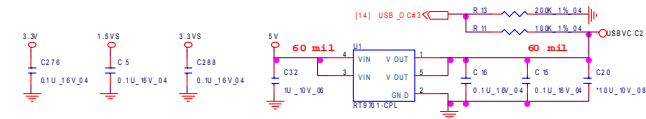
TPM_PP	HI : ACCBSB	
TPM_PP	LOW : NORMAL ( Default )	
TPM_BADD	HI : 4B / 4F h ( Default )	
TPM_BADD	LOW : 2B / 2F h	



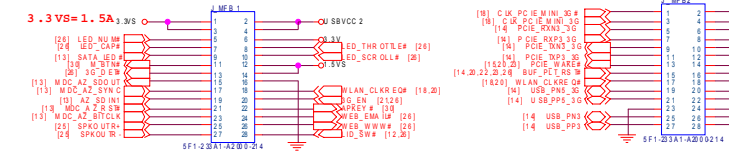
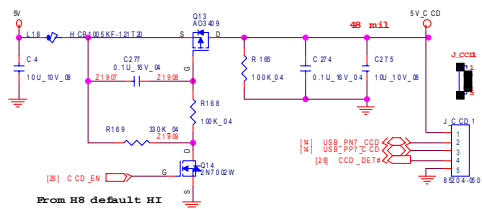
## Bluetooth



## MULTI I/O CONN



## CCD



Sheet 19 of 40  
Multi I/O, ODD,  
CCD, BT, TPM

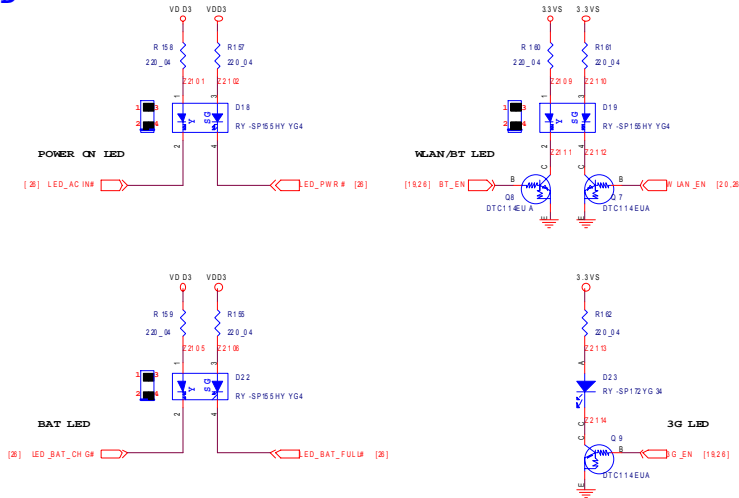




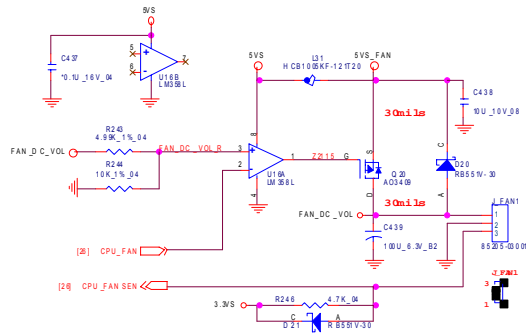
# LED, FAN, TP, FP, USB

Sheet 21 of 40  
LED, FAN, TP, FP,  
USB

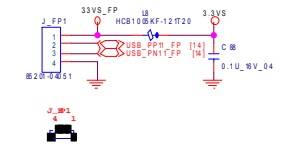
## LED



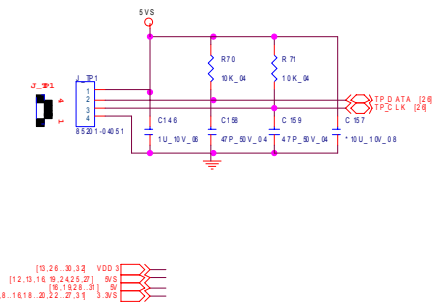
## FAN CONTROL



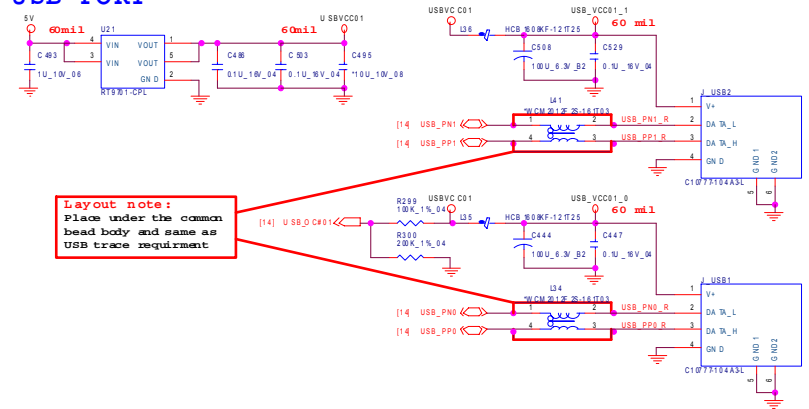
## FP CONN



## CLICK CONN



## USB PORT

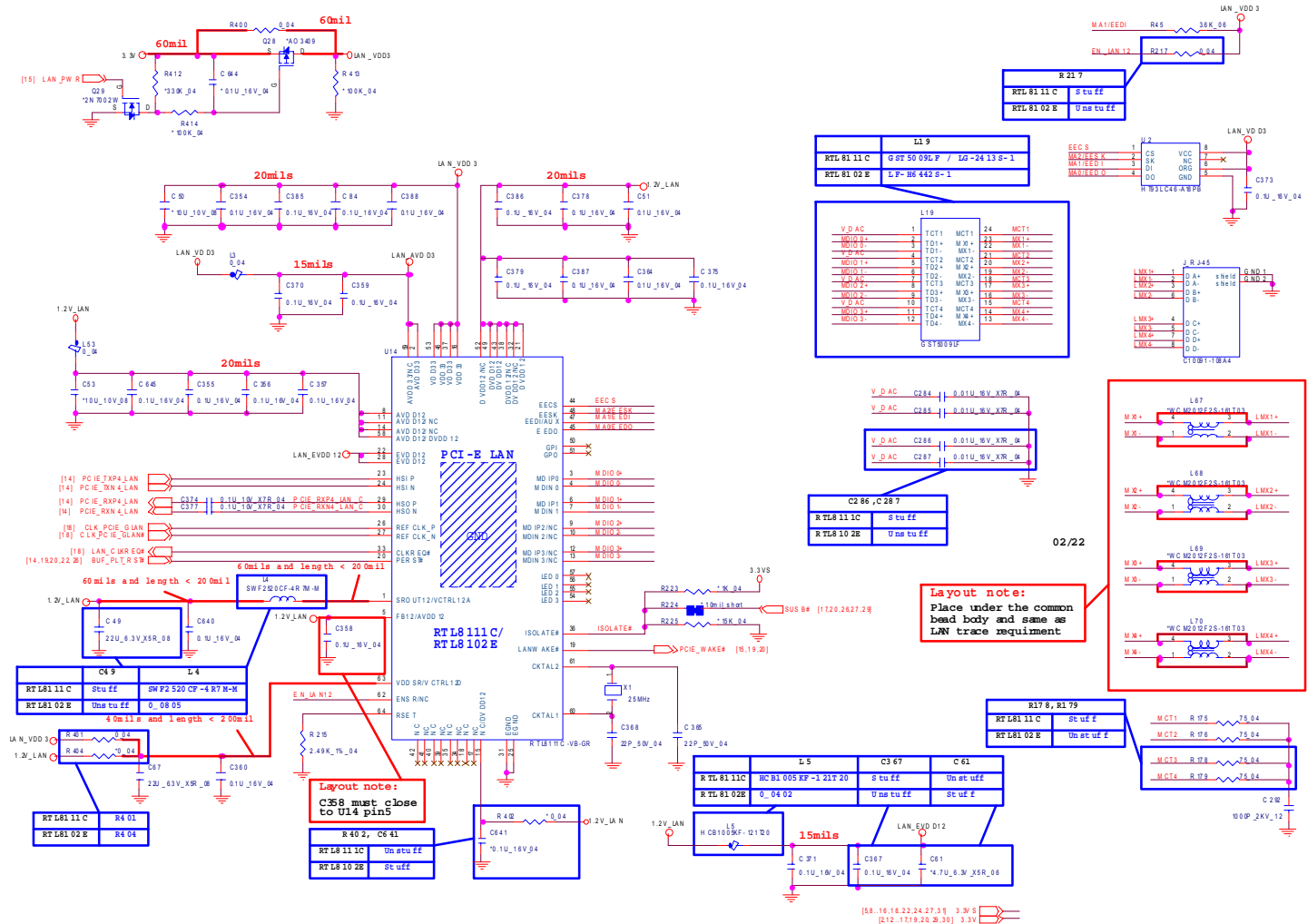


**Layout note:**  
Place under the common bead body and same as USB trace requirement



# PCI-E LAN RTL8111C

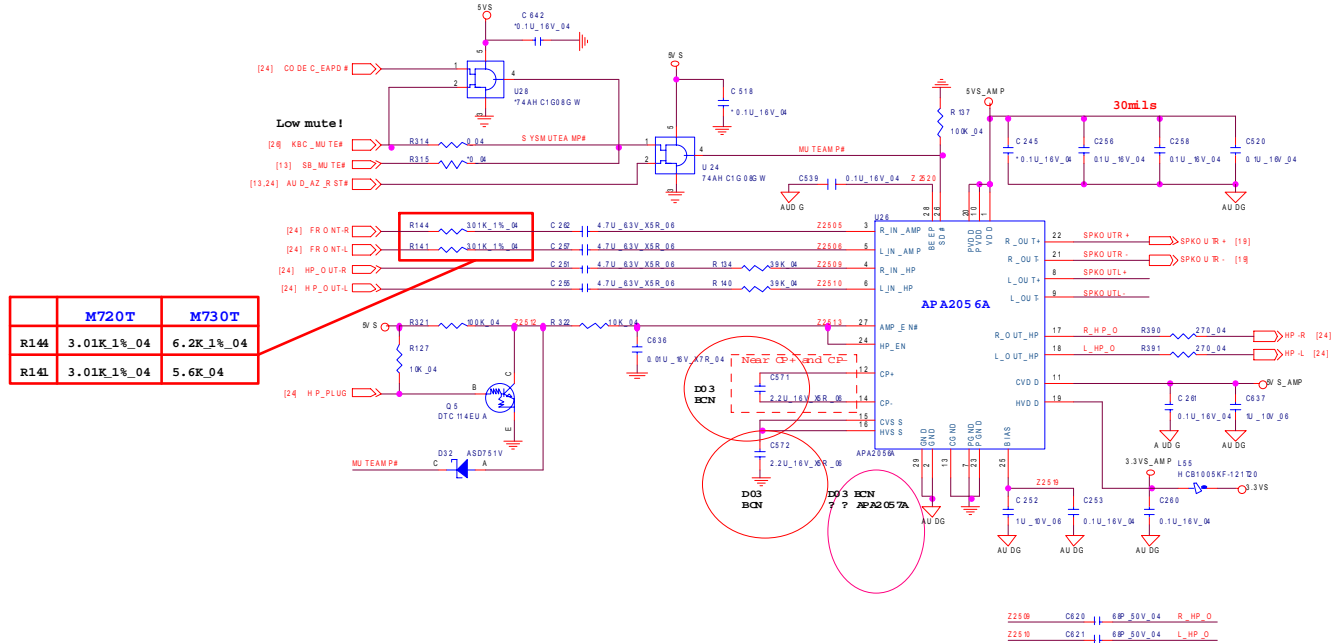
Sheet 23 of 40  
PCI-E LAN  
RTL8111C



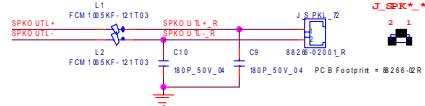


# Audio AMP2056

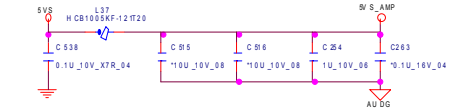
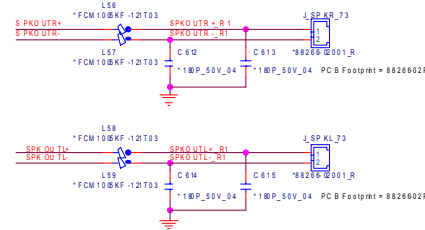
Sheet 25 of 40  
Audio AMP2056



For M720T

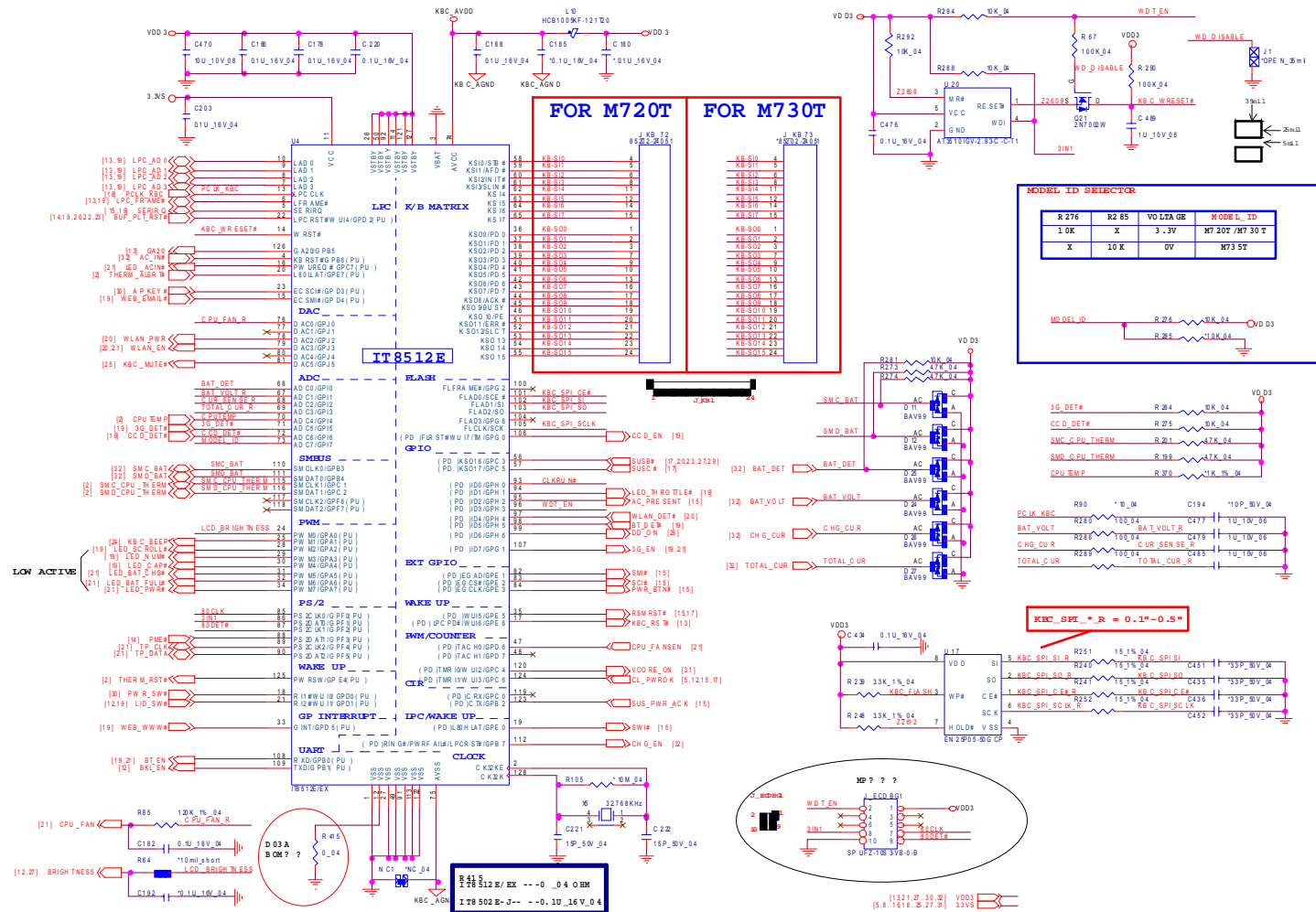


For M730T



[58,16,18,24,26,27,31], 3.3VS  
[12,13,16,18,20,24,27] 5VS

# KBC-ITE IT8512E



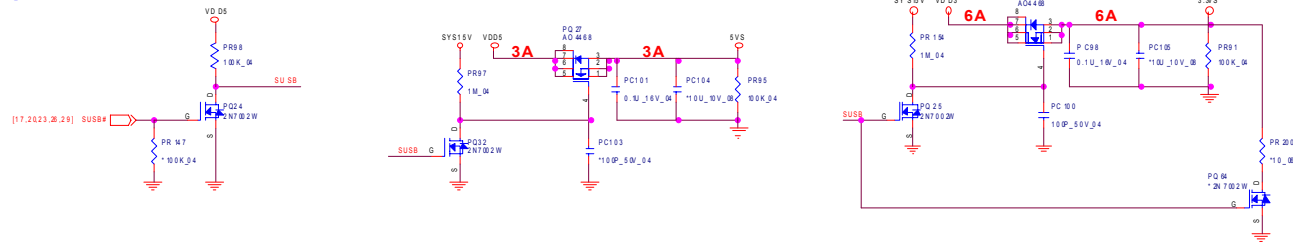
Sheet 26 of 40  
KBC-ITE IT8512E

B.Schematic Diagrams

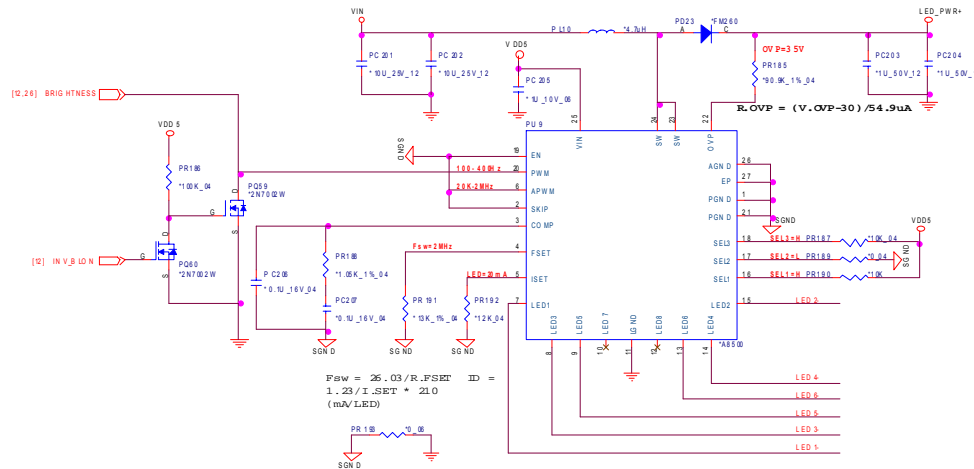


# System Power, LED BKLT

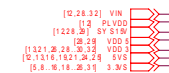
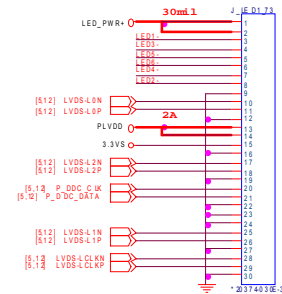
5VS, 3.3VS



## M735T LED PANEL BACKLIGHT DRIVER



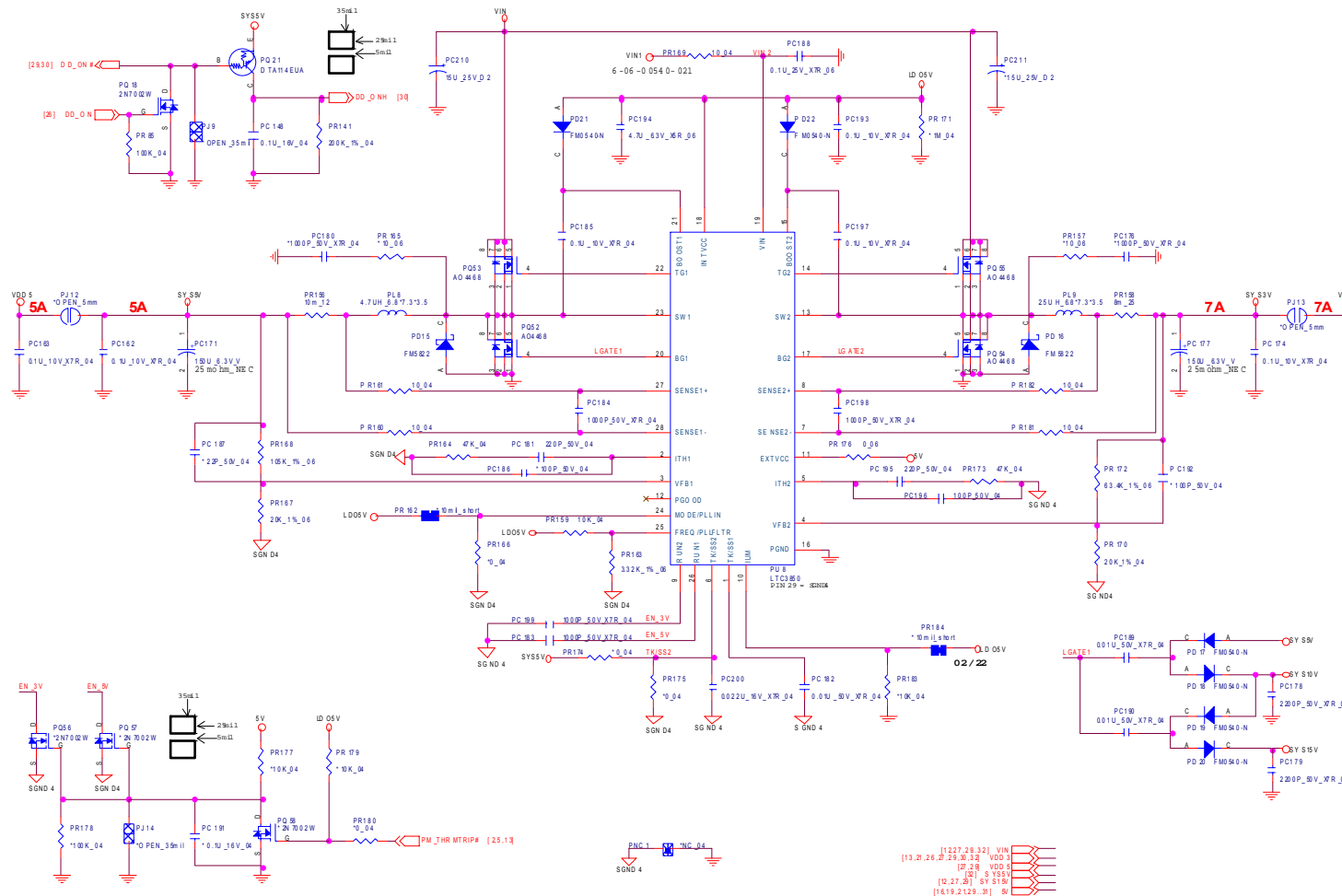
SEL1	SEL2	SEL3	LEDx Output
0	0	0	Only LED1 on
1	0	0	LED1 through LED2 on
0	1	0	LED1 through LED3 on
1	1	0	LED1 through LED4 on
0	0	1	LED1 through LED5 on
1	0	1	LED1 through LED6 on
0	1	1	LED1 through LED7 on
1	1	1	LED1 through LED8 on



Sheet 27 of 40  
System Power,  
LED BKLT

# Power VDD3, VDD5

VDD3, VDD5



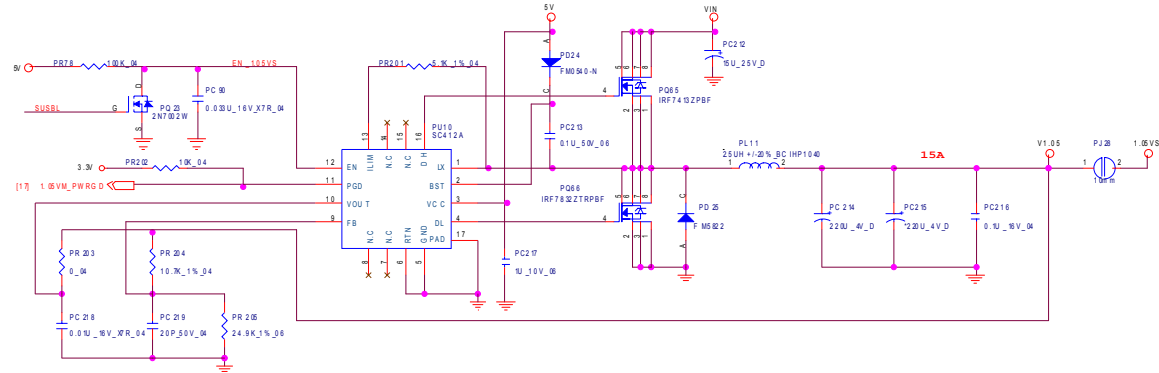
Sheet 28 of 40  
Power VDD3, VDD5

B.Schematic Diagrams

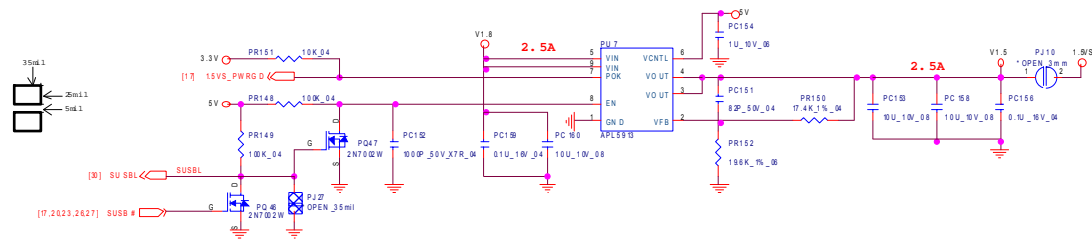
# Schematic Diagrams

## Power 1.5VS, 1.05VS, 3.3V, 5V

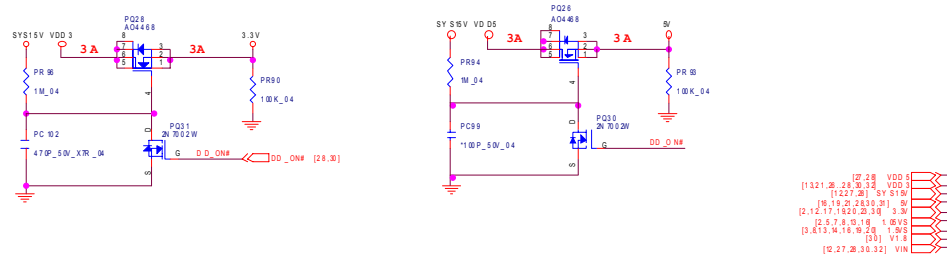
### 1.05VS



### 1.5V



### 3.3V, 5V

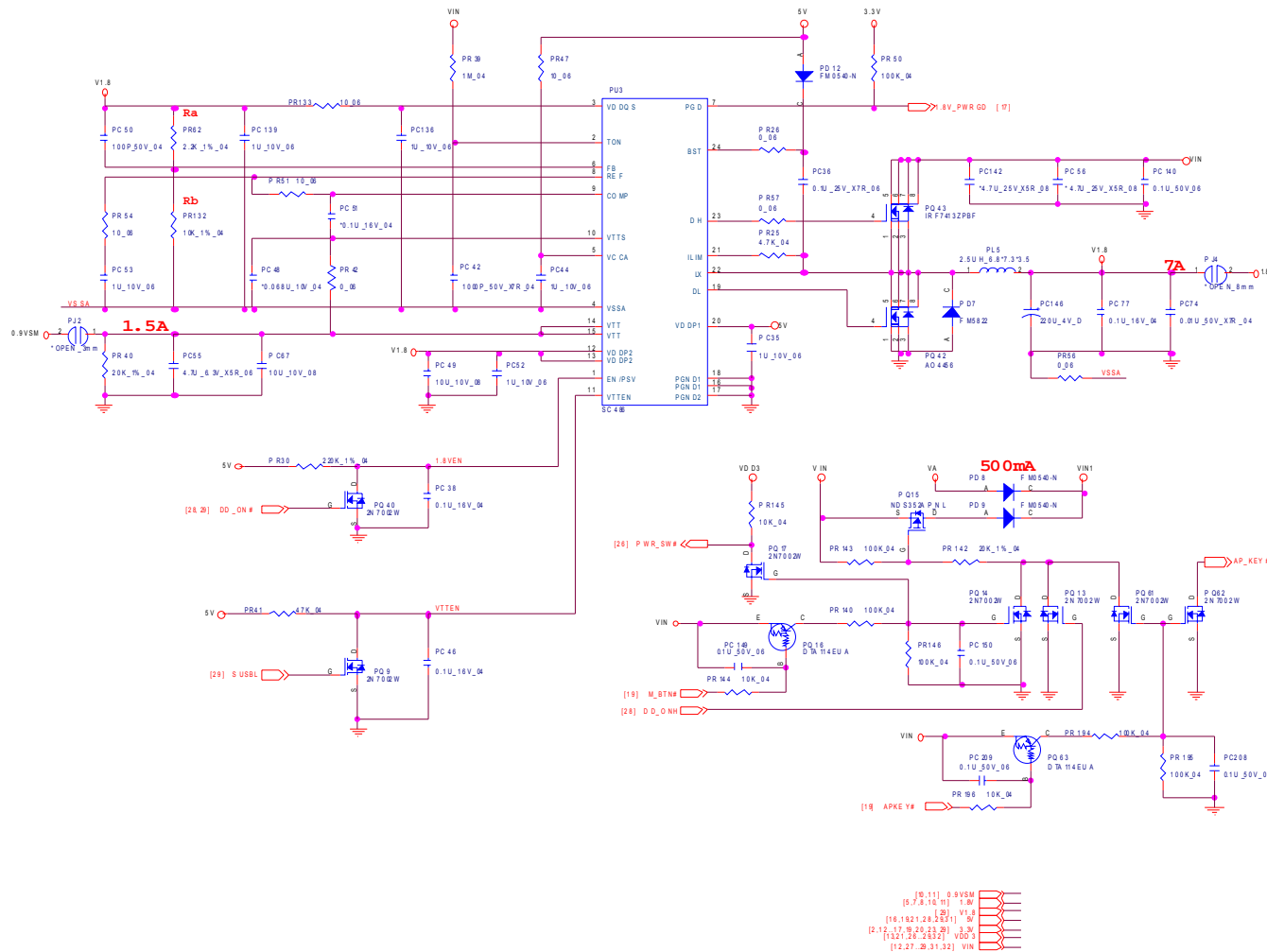


B.Schematic Diagrams

Sheet 29 of 40  
Power 1.5VS,  
1.05VS, 3.3V, 5V

# Power 1.8V, 0.9VSM

1.8V, 0.9VSM



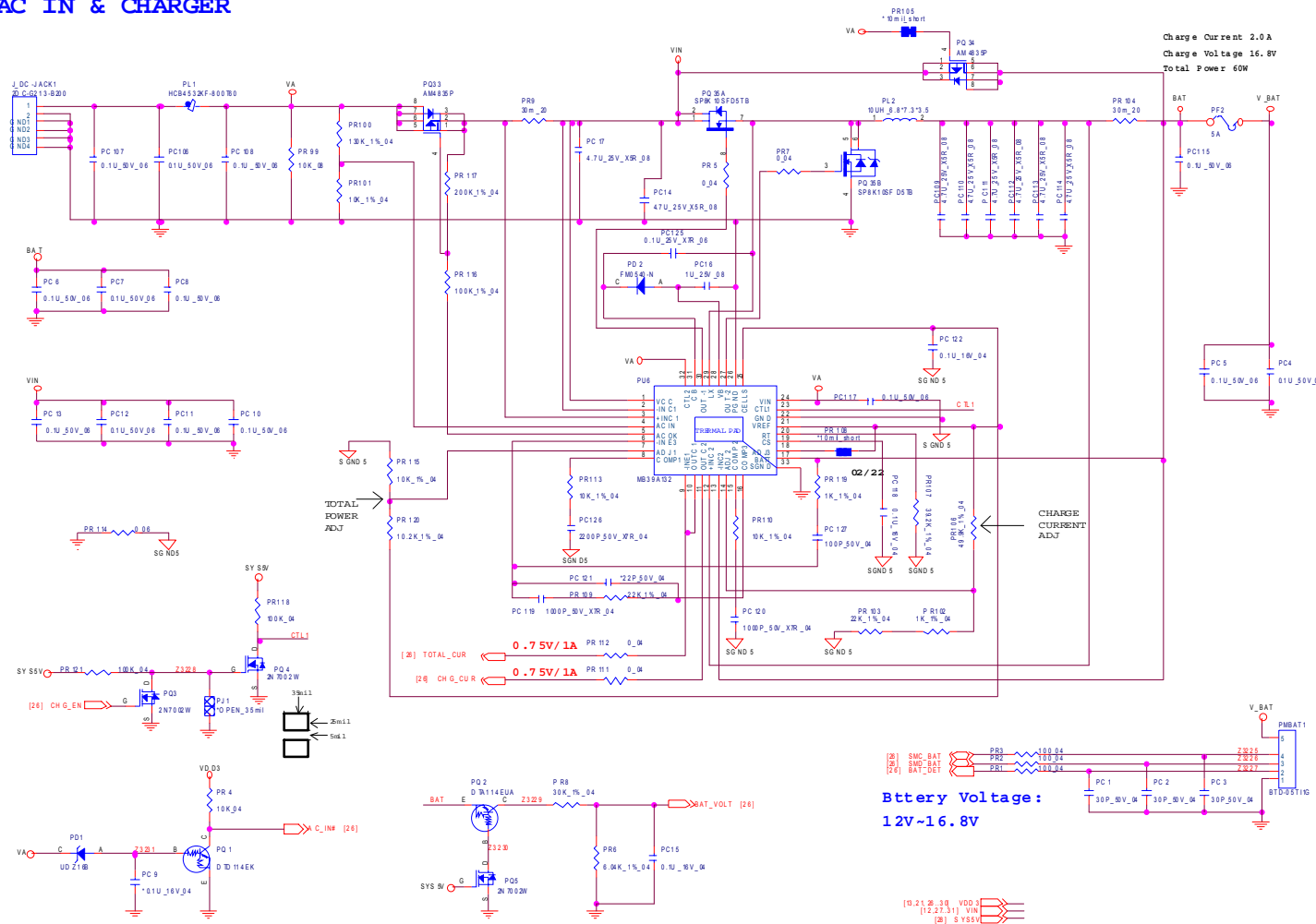
Sheet 30 of 40  
Power 1.8V,  
0.9VSM

B.Schematic Diagrams



# Power AC-IN, Charger

## AC IN & CHARGER

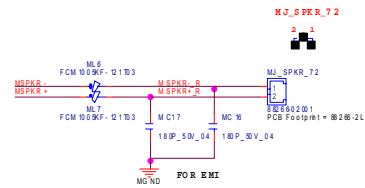


Sheet 32 of 40  
Power AC-IN,  
Charger

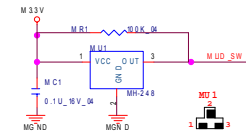
# Multi I/O Board 1/2

Sheet 33 of 40  
Multi I/O Board 1/2

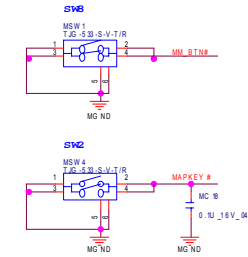
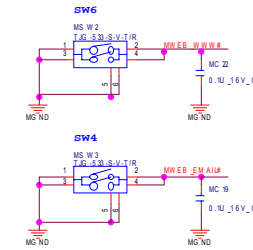
## SPEAKER For M720T



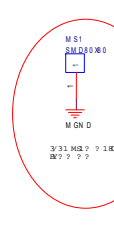
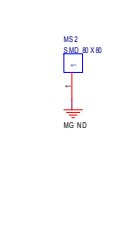
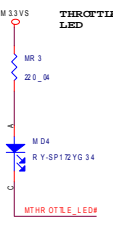
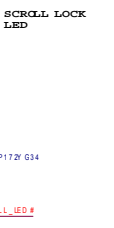
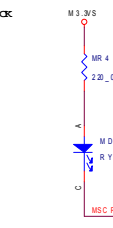
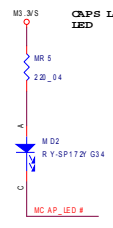
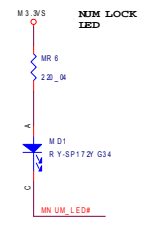
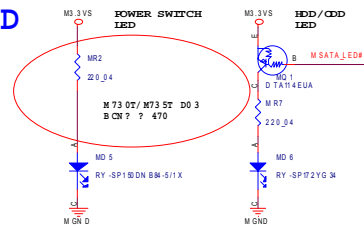
## LID SWITCH



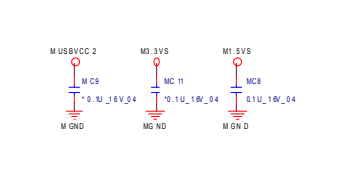
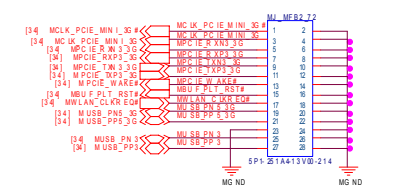
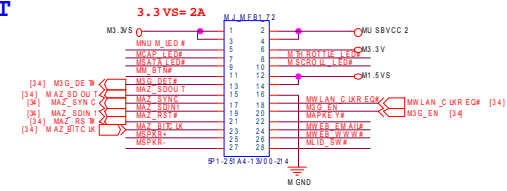
## HOT KEY & POWER SWITCH



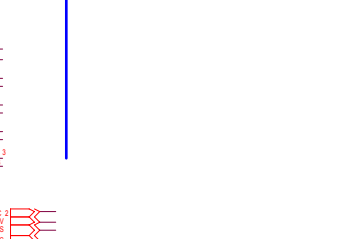
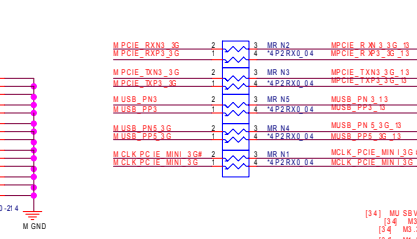
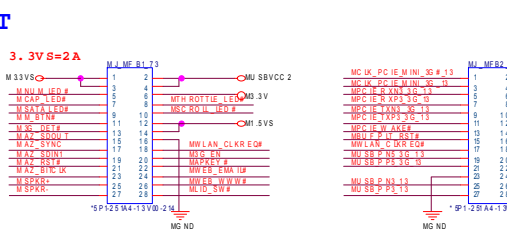
## LED



## FOR M720T

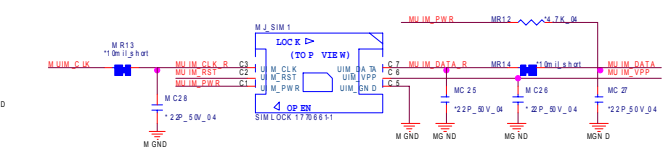
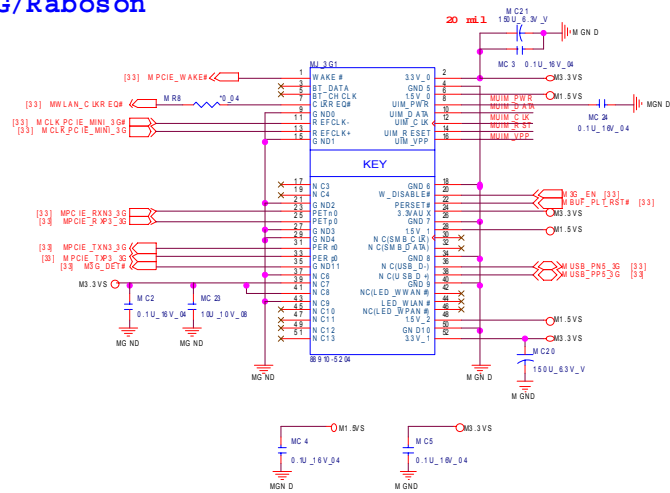


## FOR M730T

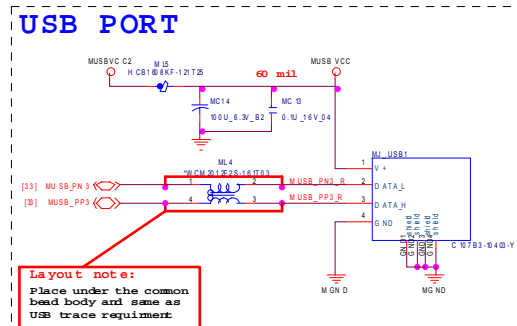


# Multi I/O Board 2/2

## 3G/Raboson

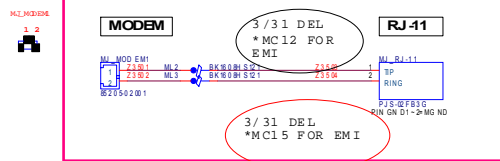


- La you t?
1. SIM? ? ? ? ? ? (10m11)
  2. ? ? ? ? ? ? ? ? GND
  3. SIM hold? ? ? ? ? GND? ?
  4. SIM CDNN ? ? NE NE CAR D CONN

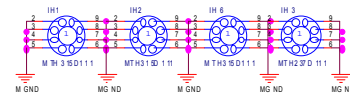
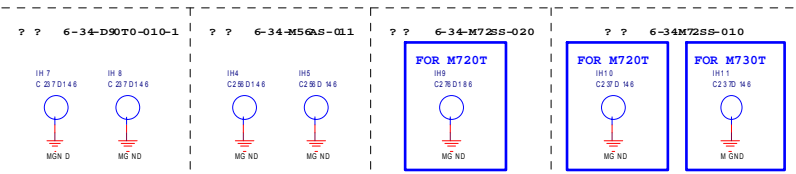
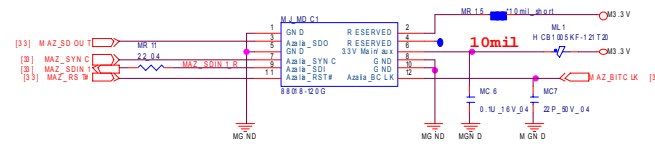


## RJ-11

?????????  
?? 2.5mm ??



## MDC MODULE



- [33] MU SBVCC:2
- [33] M1:5V5
- [33] M3:3V
- [33] M3:3V5

Sheet 34 of 40  
Multi I/O Board 2/2

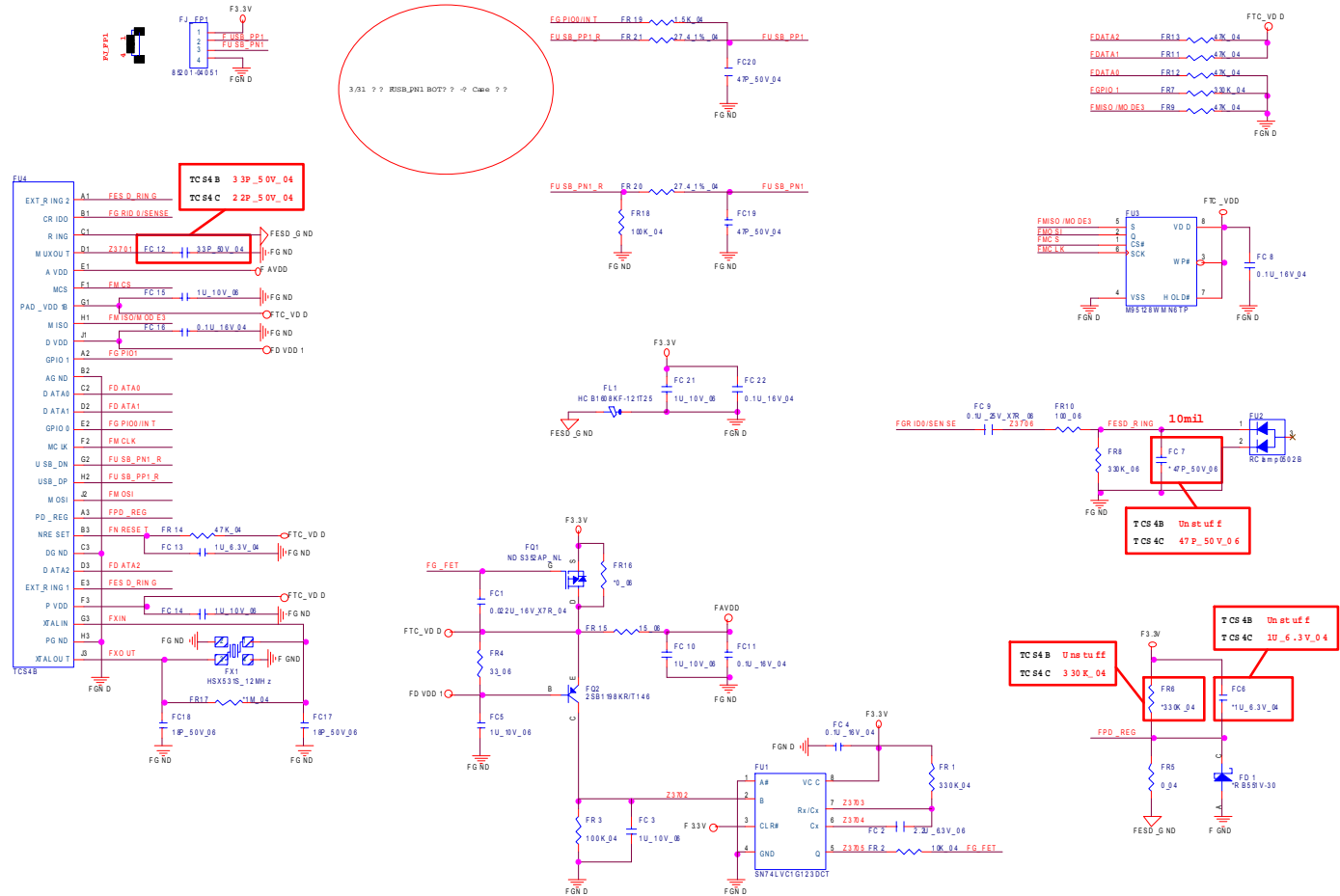
B.Schematic Diagrams



# Schematic Diagrams

## Finger Printer Board

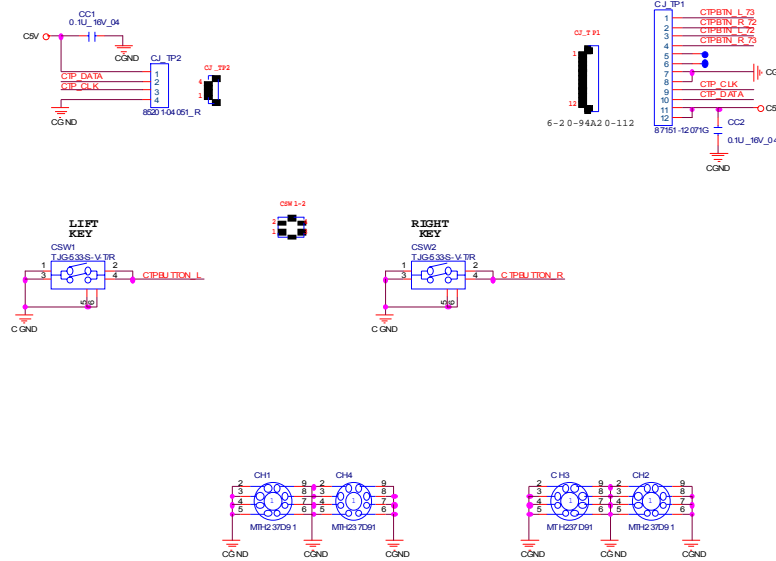
### Finger Printer



Sheet 35 of 40  
Finger Printer  
Board

# Click Board

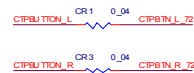
## CLICK BOARD



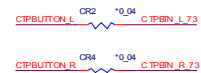
Sheet 36 of 40  
Click Board

B. Schematic Diagrams

For M720T



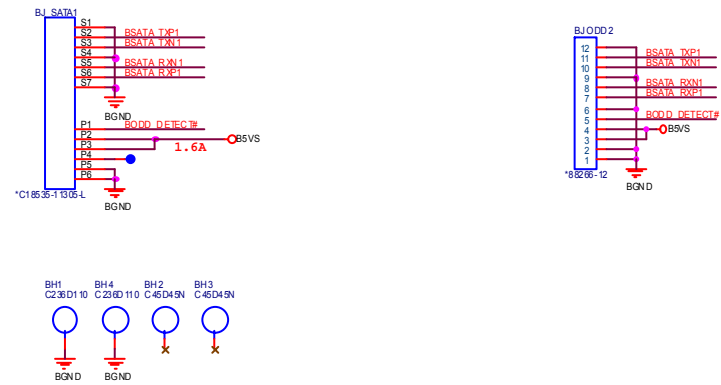
For M730T



# M730T ODD Bridge Board

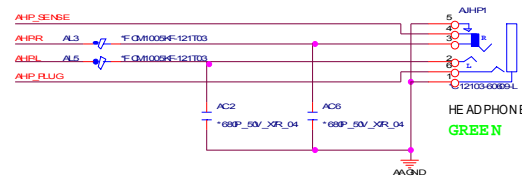
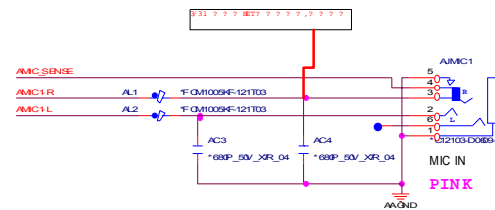
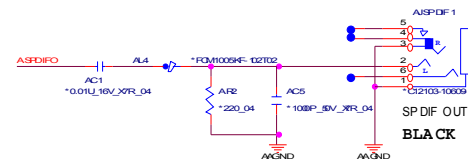
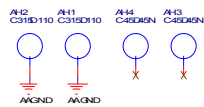
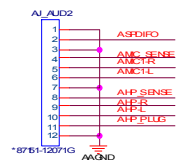
Sheet 37 of 40  
M730T ODD Bridge  
Board

## M730T ODD BRIDGE BOARD



# M730T Audio Board

## M730T AUDIO BRIDGE BOARD

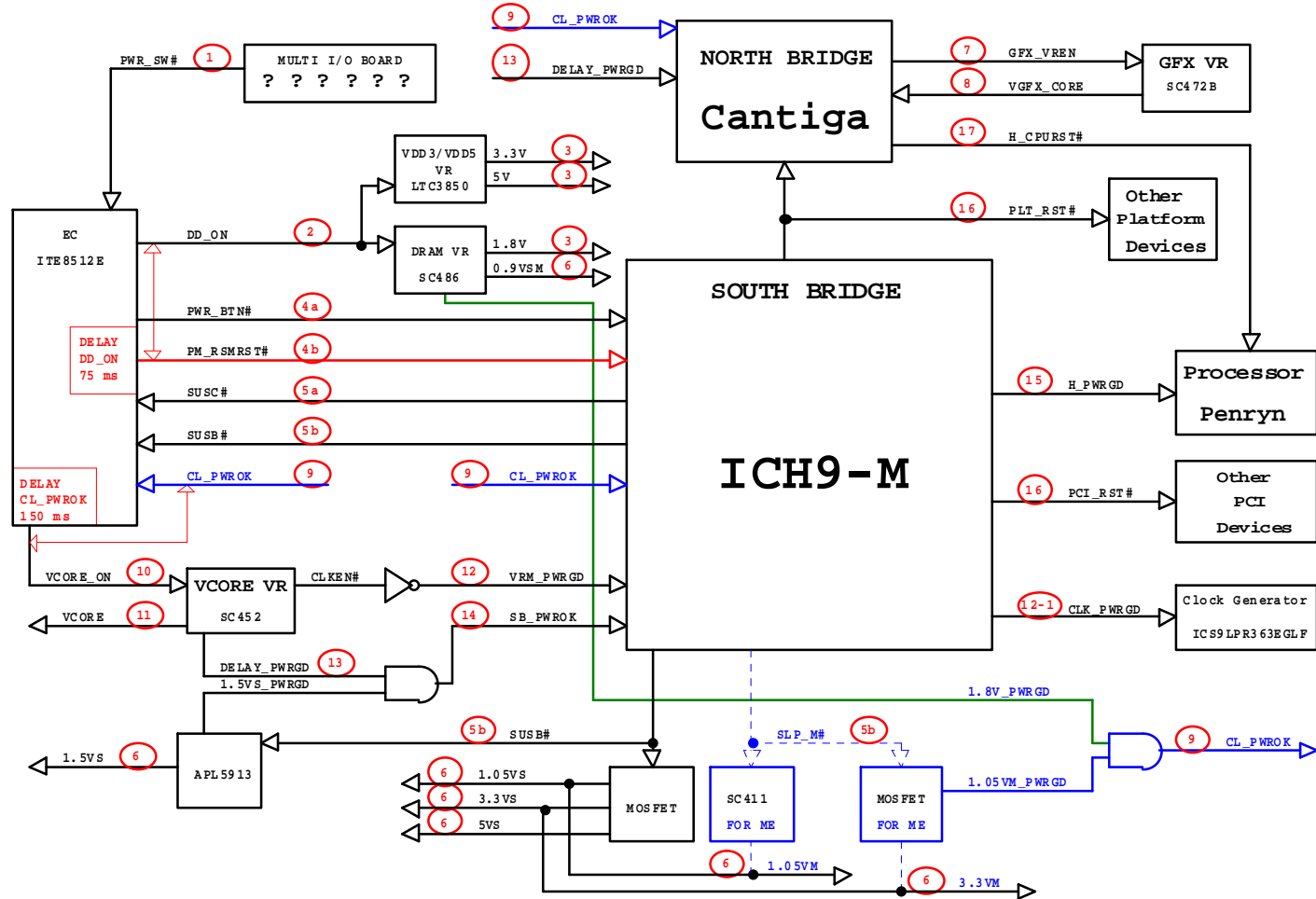


Sheet 38 of 40  
M730T Audio Board

# Power Sequence Diagram

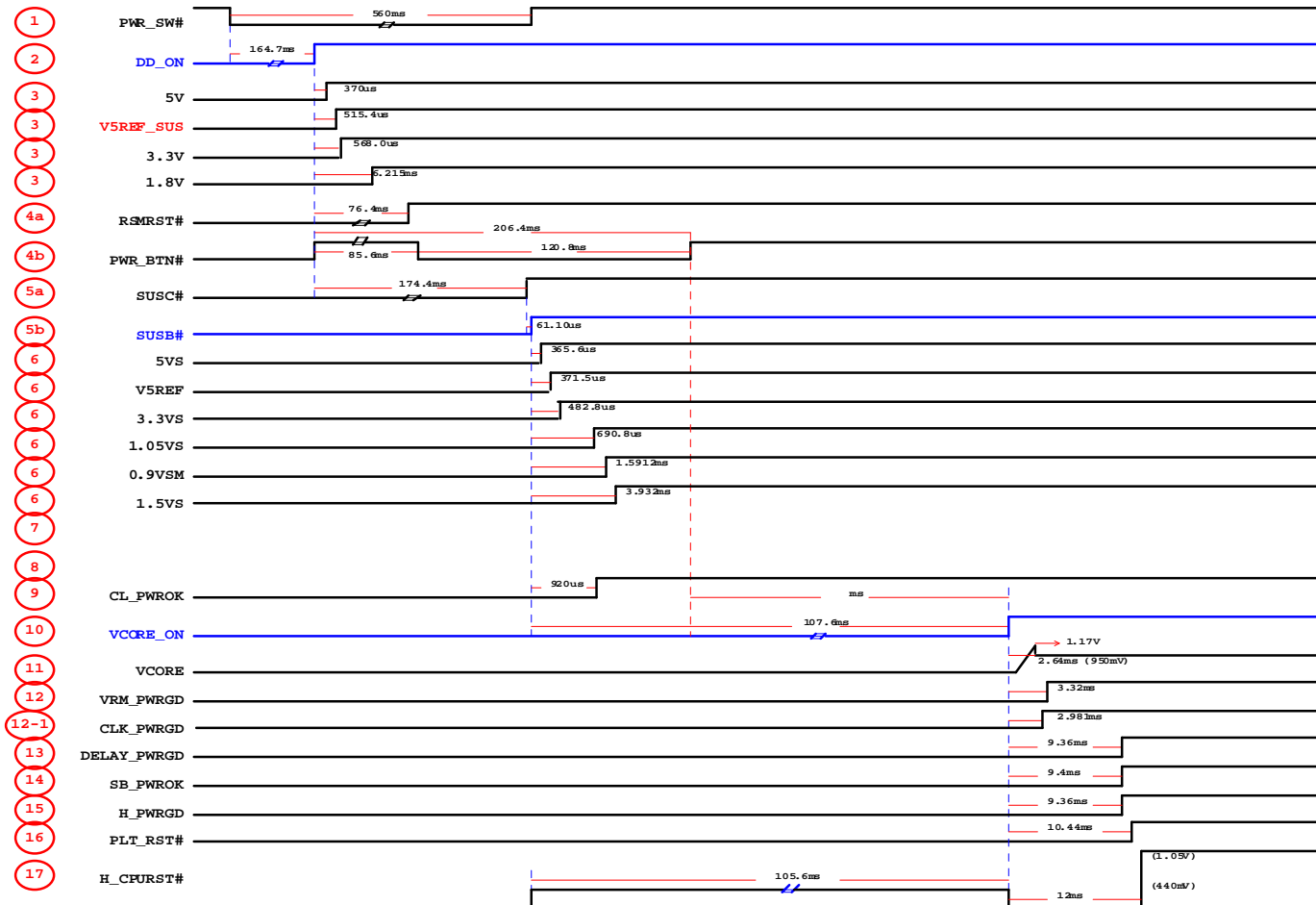
M720T V0.0 BOOT BLOCK DIAGRAM

Sheet 39 of 40  
Power Sequence  
Diagram



# Power Sequence v3.0

M720T V3.0 POWER ON SEQUENCE



Sheet 40 of 40  
Power Sequence  
v3.0

**Schematic Diagrams**